



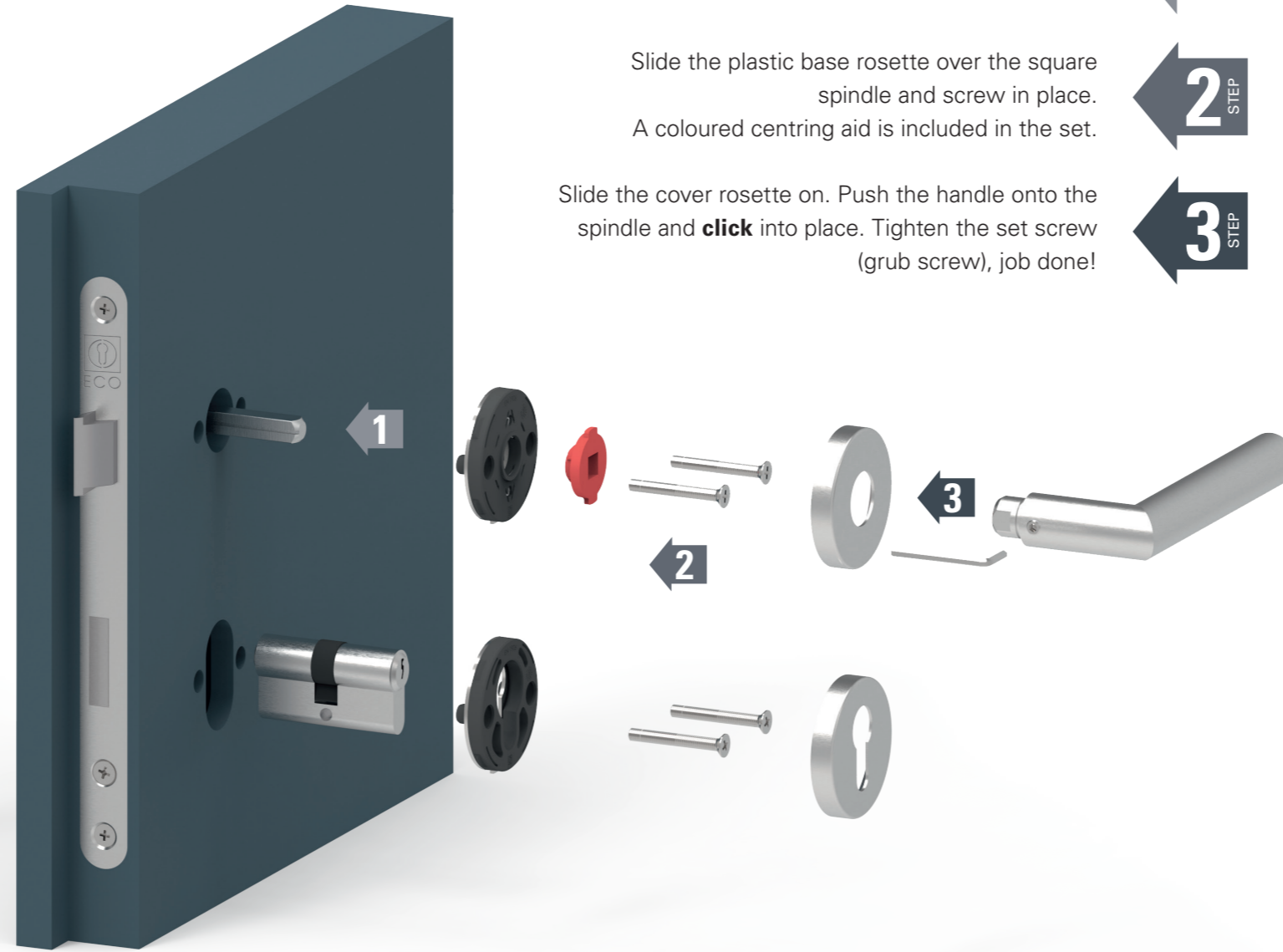
ECO  OGL Click

Combined security fitting with quick assembly

Combined security fitting **UGL Click** Product characteristics at a glance



This high-grade combination of safety handle ES 1 and easy-assembly rosette fitting with ECO **Click** system stands out on account of its maintenance-free plain bearing technology. Certified as user class 4, the combined security fitting is suitable for use in heavily frequented public buildings yet can still be mounted and removed very easily.



Convenient quick assembly

Insert the square spindle into the lock follower. **1 STEP**

Slide the plastic base rosette over the square spindle and screw in place. A coloured centring aid is included in the set. **2 STEP**

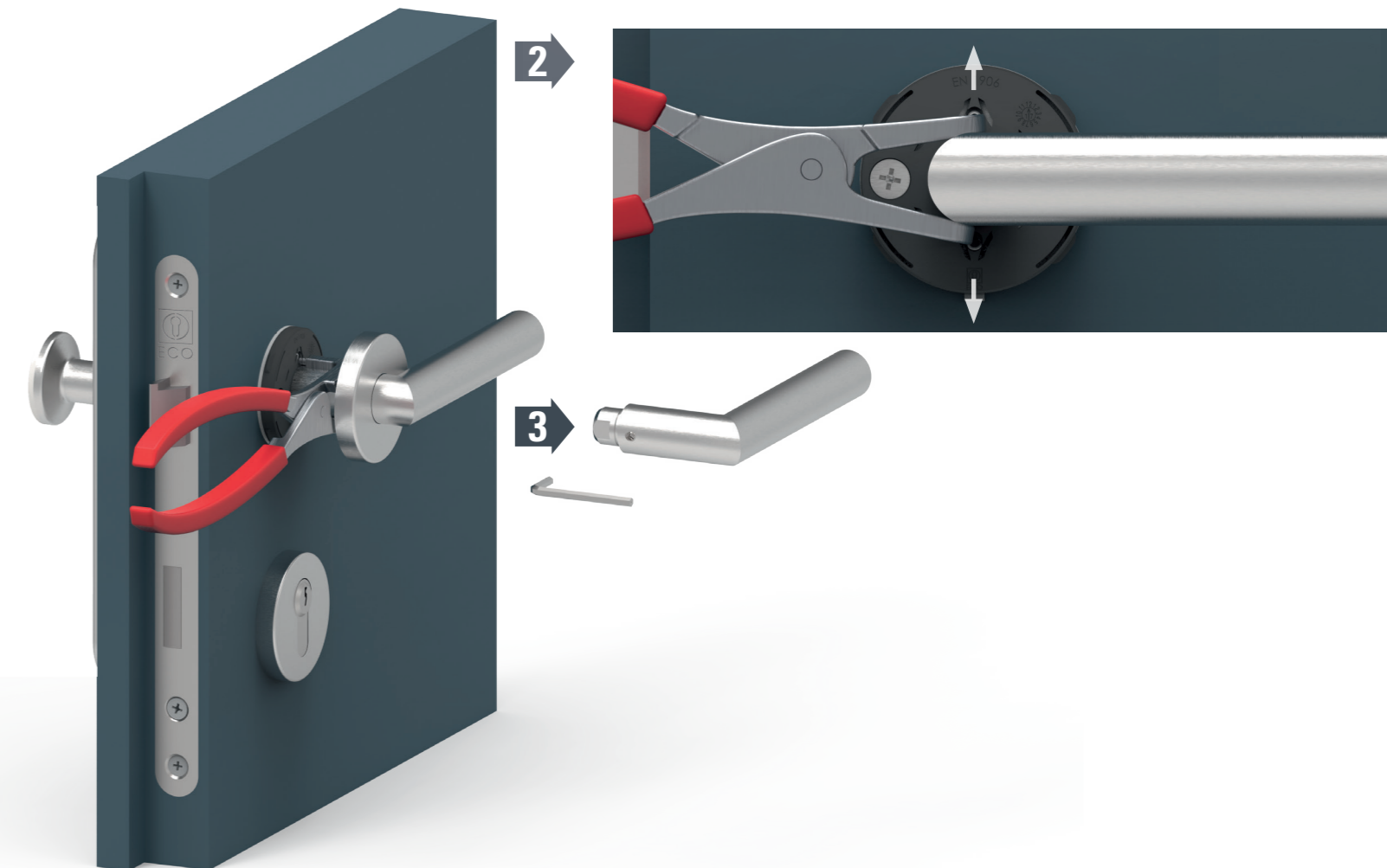
Slide the cover rosette on. Push the handle onto the spindle and **click** into place. Tighten the set screw (grub screw), job done! **3 STEP**

Simple removal

1 STEP Remove the cover rosette using the ECO cap lifter. We recommend the use of an additional protection plate.

2 STEP Simple removal using standard snap ring pliers (form B as per DIN 5254).

3 STEP Loosen the grub screw, pull the handle off, job done!



Product characteristics



- ECO **Click** quick assembly
- Damage-free removal
- Packed as sets
- Available in stainless steel and aluminium
- **DIN 18257** burglary security **ES 1**
- With restoring spring (type A)
- Maintenance-free handle bearing
- Fixable bearing (ECO **Click** connection)
- 45° operating angle
- **EN 1906**, user class 4
- Sturdy M5 screw attachment
- High-strength pin connection (grooved square spindle)
- Standard door thickness 38-45 mm and 44 - 54 mm*
- 8 mm / 9 mm fire protection
- **EN 179**, depending on handle shape
- Suitable for resistance class **RC 2**

* Further door thicknesses on request.

Classification key EN 1906

ER **F** = 4 7 - B1 1 4 0 A **EN 1906** **DIN 18273** **EN 179** **DIN 18 257**

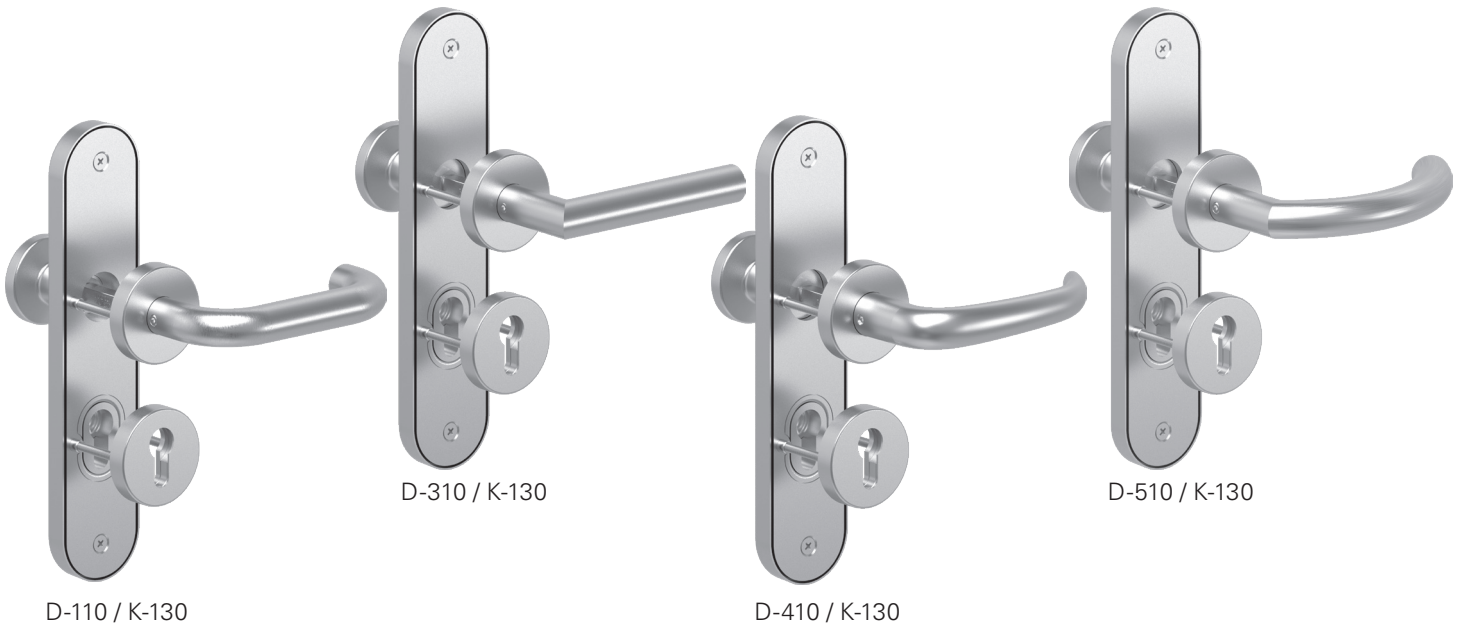
Combined security fitting

 OGL **Click** product variants

Tangible variety



It goes without saying that there is a large selection of knob and handle models and push plates available for use with OGL **Click** combined security fittings.

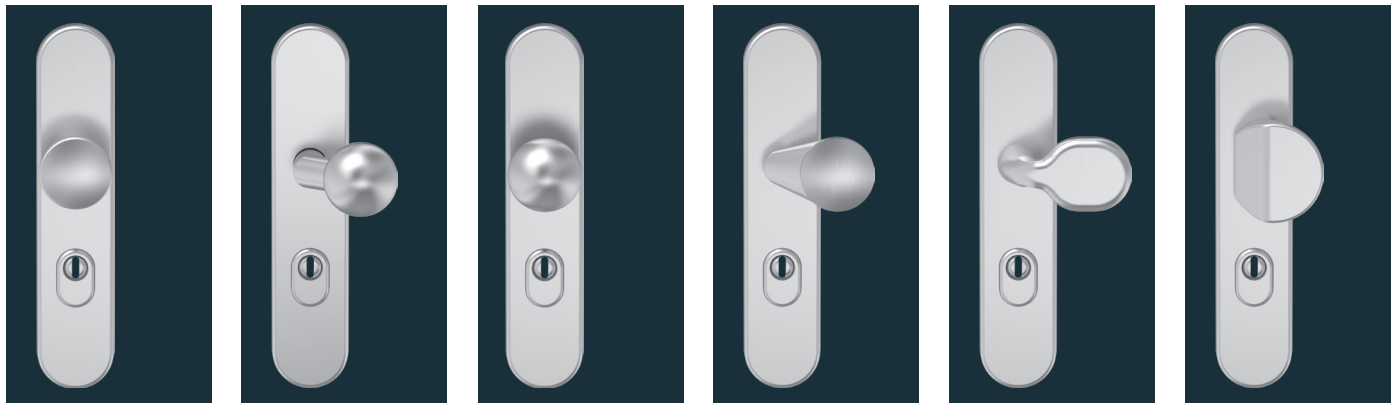


D-110 / K-130

D-310 / K-130

D-410 / K-130

D-510 / K-130



ES 1 Long plate
ZA / K-130

ES 1 Long plate
ZA / K-160

ES 1 Long plate
ZA / K-165

ES 1 Long plate
ZA / G-150

ES 1 Long plate
ZA / G-160

ES 1 Long plate
ZA / G-180

ECO Schulte GmbH & Co. KG

Iserlohner Landstraße 89
D-58706 Menden

Phone +49 2373 9276 - 0

Fax +49 2373 9276 - 40

info@eco-schulte.de

www.eco-schulte.de

Your company logo

■ SYSTEM TECHNOLOGY FOR THE DOOR

