



ECO  OGL Click

Rosette set with quick assembly

■ SYSTEM TECHNOLOGY FOR THE DOOR

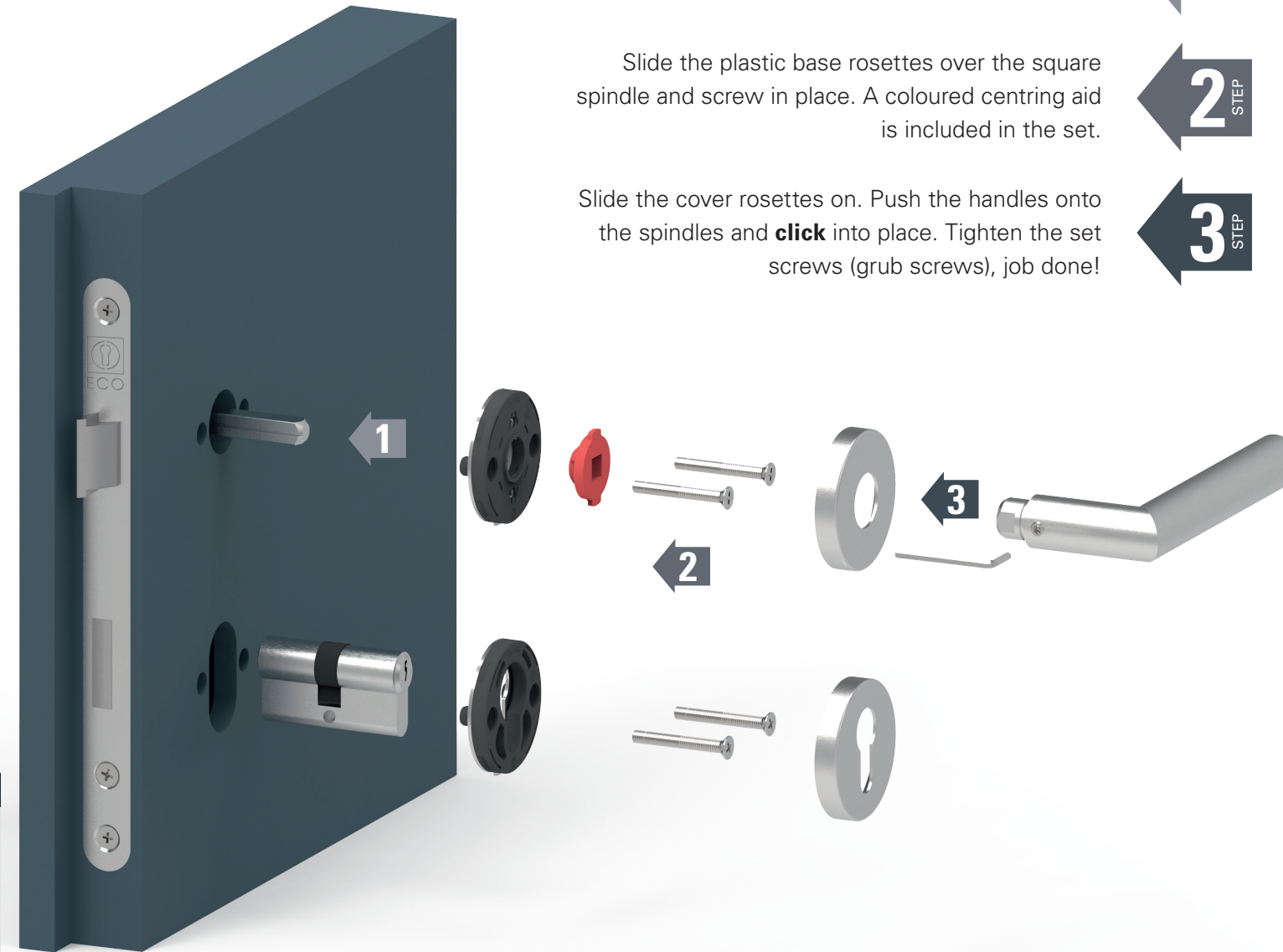
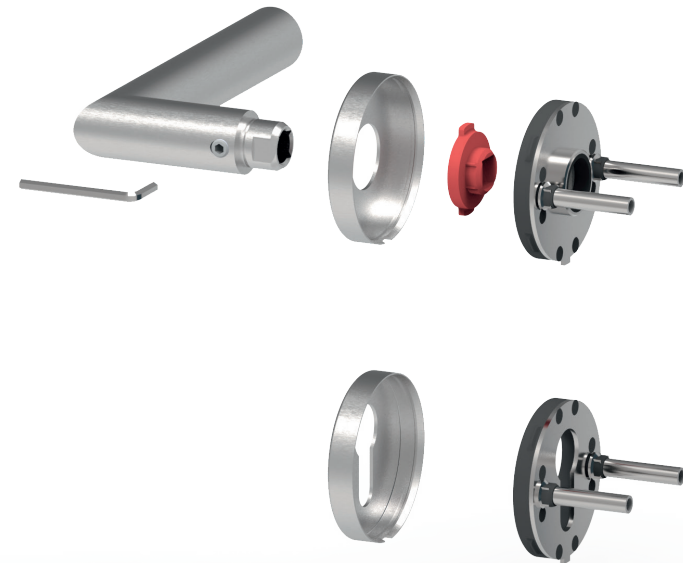


Rosette set **UGL Click**

Product characteristics at a glance



The high-grade and long-lasting object rosette set with ECO **Click** system stands out on account of its maintenance-free plain bearing technology. Certified as user class 4, it is suitable for use in heavily frequented public buildings yet can still be mounted and removed very easily.



Convenient quick assembly

Insert the square spindle into the lock follower.



Slide the plastic base rosettes over the square spindle and screw in place. A coloured centring aid is included in the set.



Slide the cover rosettes on. Push the handles onto the spindles and **click** into place. Tighten the set screws (grub screws), job done!



Simple removal



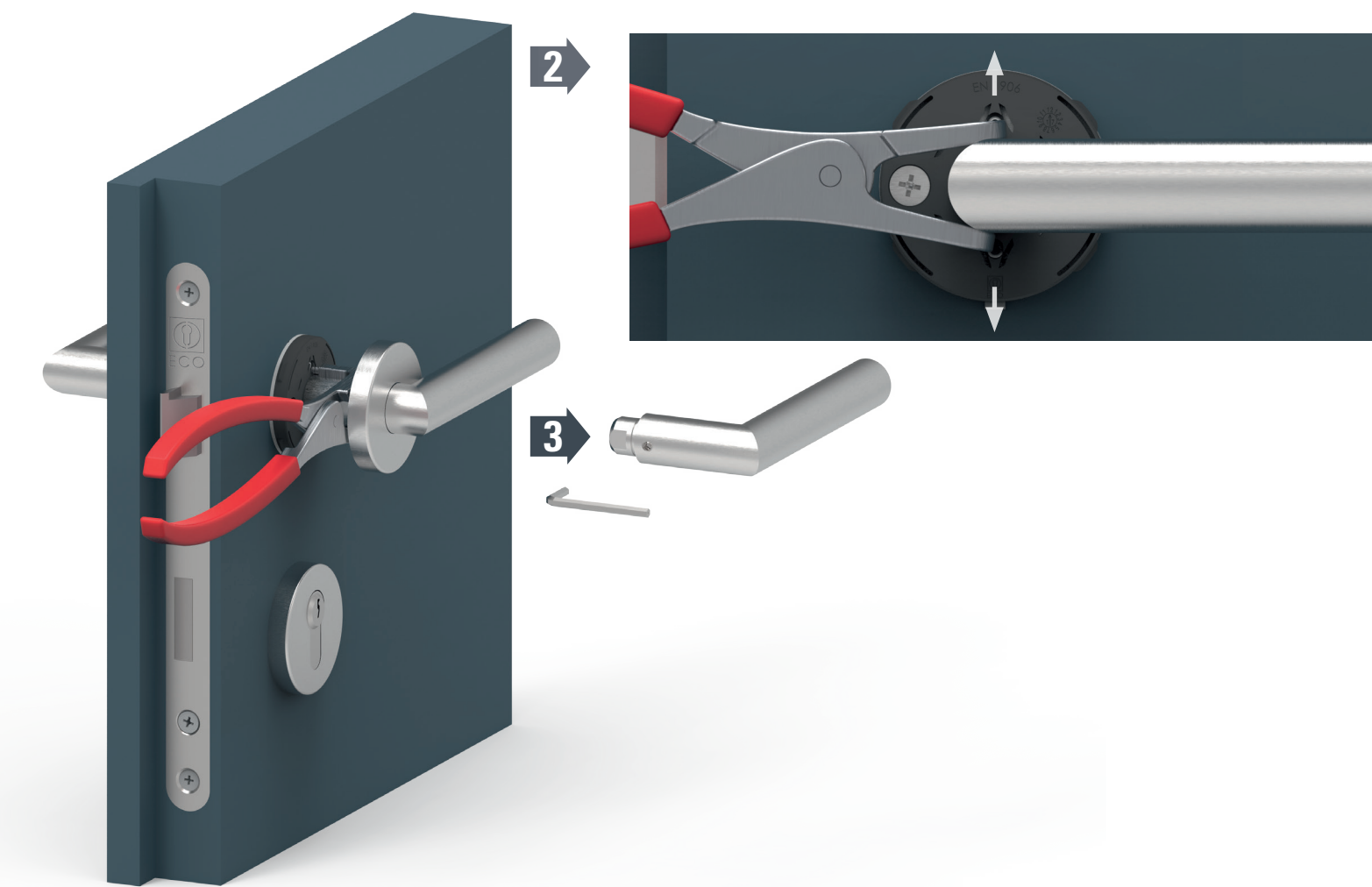
Remove the cover rosettes using the ECO cap lifter. We recommend the use of an additional protection plate.



Simple removal using standard snap ring pliers (form B as per DIN 5254).



Loosen the grub screws, pull the handles off, job done!



Product characteristics



- ECO **Click** quick assembly
- Damage-free removal
- Packed as sets
- Available in stainless steel and aluminium
- Can be used for **DIN left / DIN right**
- With restoring spring (type A)
- Maintenance-free handle bearing
- Fixable bearing (ECO **Click** connection)
- 45° operating angle
- **EN 1906**, user class 4
- Pre-assembled, fixed sleeve nuts
- Sturdy M5 screw attachment
- High-strength pin connection (grooved square spindle)
- Standard door thickness 38-45 mm and 44-66 mm*
- Rosette dimensions Ø 55 x 9 mm
- 8 mm / 9 mm fire protection
- **EN 179**, depending on handle shape

Classification key EN 1906

ER F = 4 7 - B1 1 4 0 A/U

* Further door thicknesses on request.

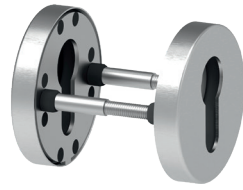
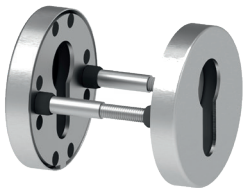
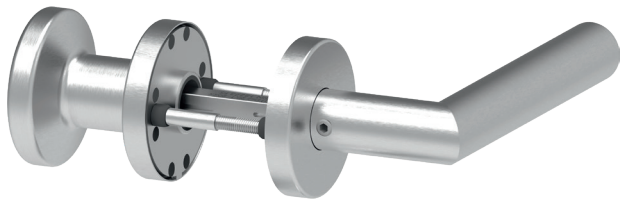
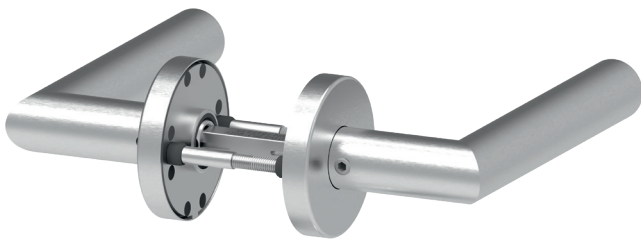
EN 1906 **DIN 18273** **EN 179**

OGL **Click** Product variants

Tangible variety



OGL **Click** is of course available for a large selection of knob and handle models as well as for all knob/handle and toilet door sets.

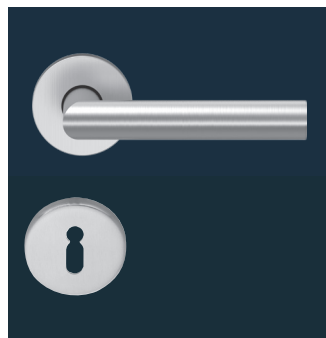


D-310 handle-handle-set PZ

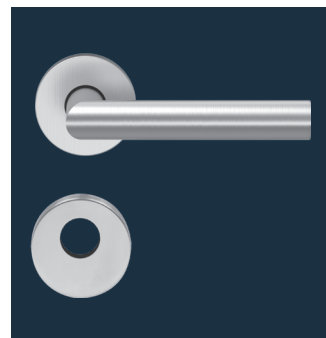
D-310 K-130 lever-handle-set PZ



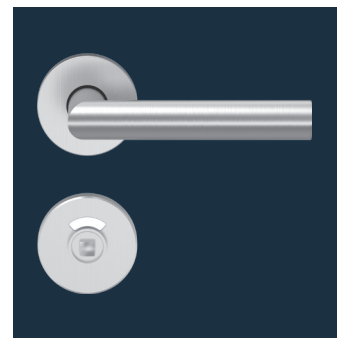
D-310 PZ



D-310 BB



D-310 RZ



D-310 WC

ECO Schulte GmbH & Co. KG

Iserlohner Landstraße 89

D-58706 Menden

Phone +49 2373 9276 - 0

Fax +49 2373 9276 - 40

info@eco-schulte.de

www.eco-schulte.de

Your company logo

■ SYSTEM TECHNOLOGY FOR THE DOOR

