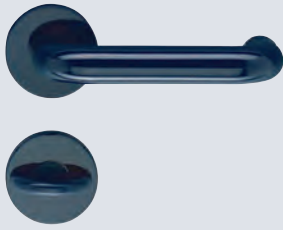


Handles and accessories for sanitary partitions

Latching on to things



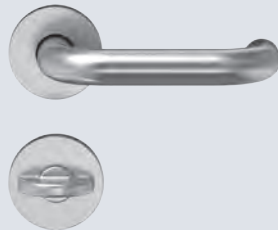
WC-handles for sanitary partitions



Nylon (Ku)
from page 432



Aluminium (Al)
from page 434



Stainless steel (ER)
from page 437



Ku, Al, ER
page 440

Locks for bathroom doors and sanitary partitions



Nylon (Ku)
page 442



Ku, Al, ER
page 443



Hasp-type lock
page 444

Hinges for bathroom doors and sanitary partitions



for unrebated doors (KU)
page 446

Accessories for sanitary partitions



Hook bumper / Hook (Ku)
from page 452



Push-pull handles (Ku)
from page 454



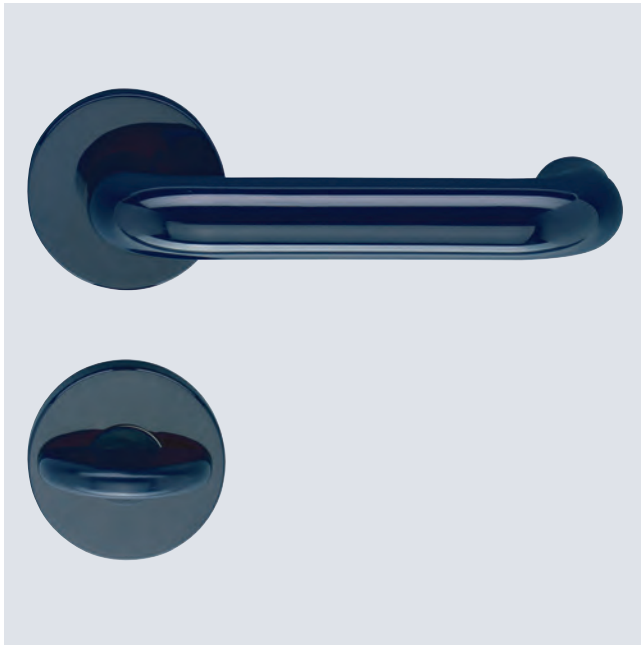
Feet for
partition elements (Ku)
page 456



Toilet roll holder (Ku)
page 457



WC brush set
(Ku) / Glass
page 458

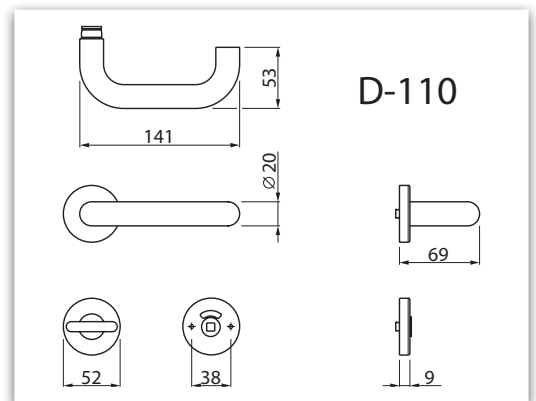


Product characteristics		
Utilization category class		-
Lever with continuous steel core		■
Lever diametre	20 mm	■
Nylon base with positioning studs		■
Lever with fixable bearing		-
Spindle	7 mm	□
	8 mm	■
	8,5 mm	□
Concealed, continuous screw connection		■

■ Yes - No □ on request

Description

- Available for all common partition wall-/ door thicknesses
- Complete with WC lock and red / white indicator
- Emergency opening via 8 mm external spindle
- Coin opening slot on request
- Also available BB, PZ and lever/knob version
- Other colours on request
- Appropriate drill template available, (Art.-No. 930317)
- WC version with 5 mm, 6 mm or 8 mm square spindle available on request
- Square spindle inset in handle




Dimensioning



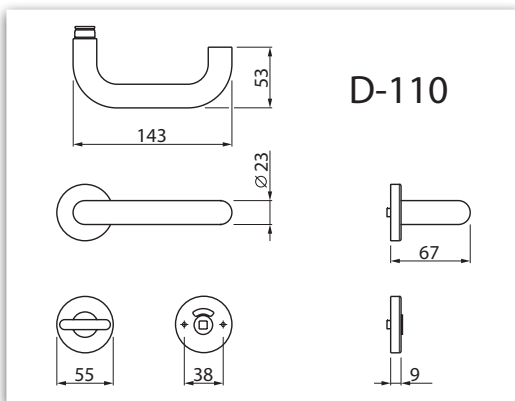
*RAL colour similar. Colour range see page 459.



D-110	Article number	Ø	∅	Outer square	Material
D-110.Ku.DD.WC	150670	20 mm	8 mm		Nylon

WC-handle for bathroom doors and sanitary partitions ■ Nylon

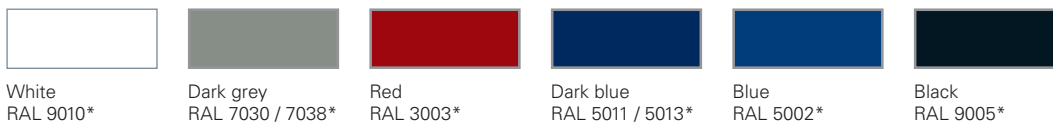
Product characteristics		
Utilization category class 3	EN 1906	■
Lever with continuous steel core		■
Lever diameter	23 mm	■
Nylon base with positioning studs		■
Lever with fixable bearing		■
Spindle	7 mm	□
	8 mm	■
	8,5 mm	□
Concealed, continuous screw connection		■
■ Yes – No □ on request		



Dimensioning


Description

- Available for all common partition wall-/ door thicknesses
- Complete with WC lock and red / white indicator
- Emergency opening via 8 mm external spindle
- Coin opening slot on request
- Also available BB, PZ and lever/knob version
- Other colours on request
- Appropriate drill template available, (Art.-No. 930317)

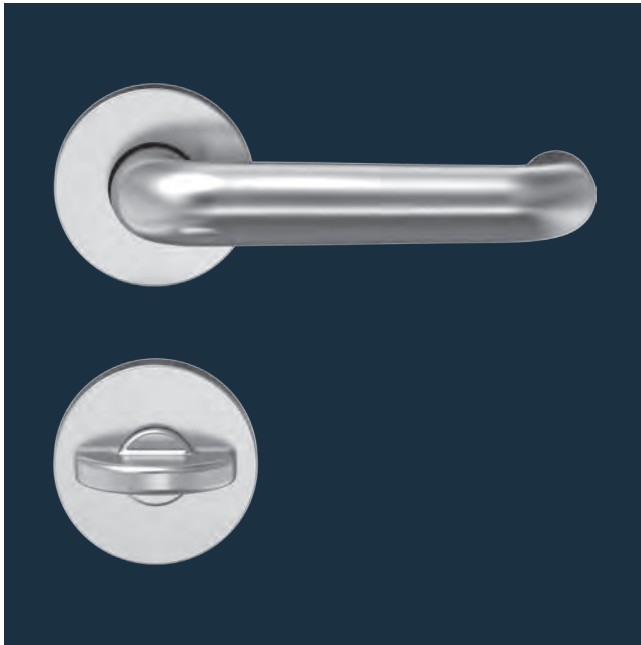


*RAL colour similar. Colour range see page 459.



D-110	Article number	Ø	∇	Outer square	Material
D-110.Ku.DD.WC	154670	23 mm	8 mm		Nylon



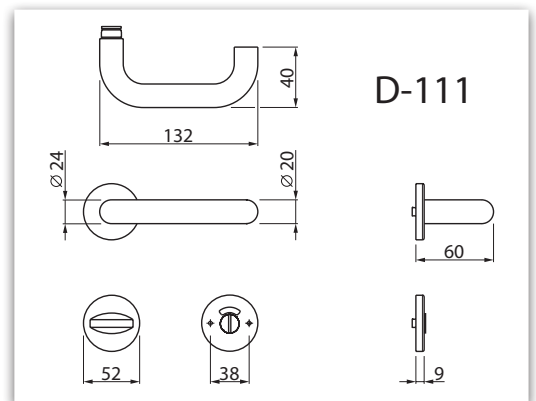


Product characteristics		
Utilization category class		-
Lever with continuous steel core		-
Lever diametre	20 mm	■
Nylon base		■
Lever with fixable bearing		-
Spindle	7 mm	□
	8 mm	■
	8,5 mm	□
Concealed, continuous screw connection		■

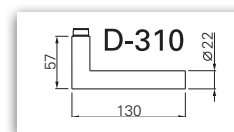
■ Yes – No □ on request


Description

- Available for all common partition wall-/ door thicknesses
- Complete with WC lock and red / white indicator
- Emergency opening via coin opening slot
- Also available BB, PZ and lever/knob version
- Appropriate drill template available, (Art.-No. 930317)
- Square spindle inset in handle

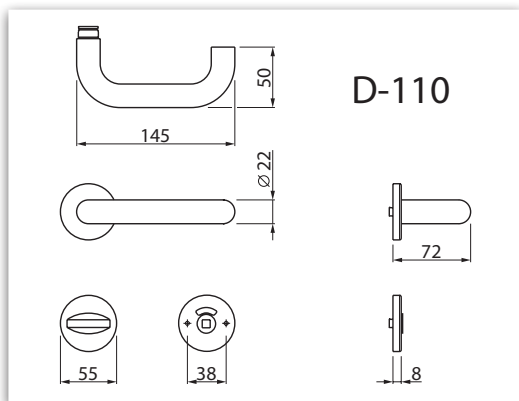
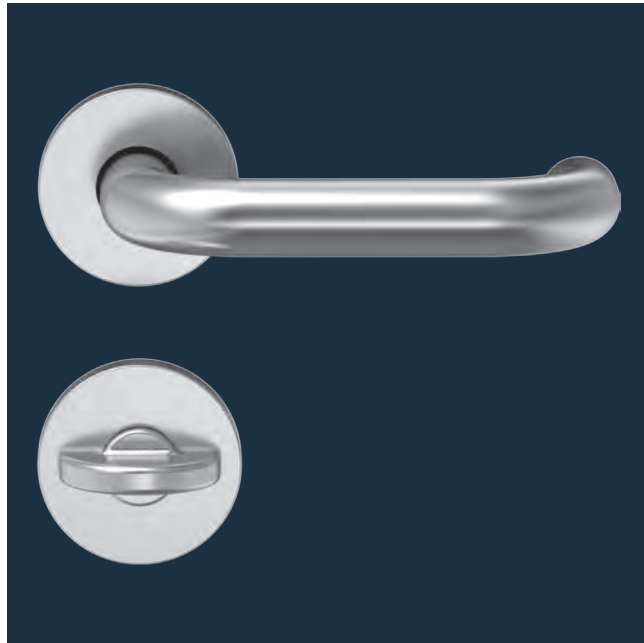


Dimensioning



Handle	Article number	Form	∅	Slit knob	Material
D-111.AI.10.WC	159112.30	U-Form	8 mm		Aluminium
D-310.AI.10.WC	159821.30	CL-Form	8 mm		Aluminium

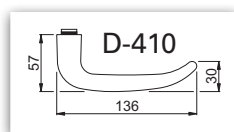
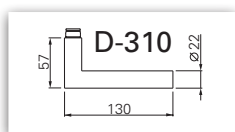
Product characteristics		
Utilization category class 3	EN 1906	■
Lever with continuous steel core		-
Lever diameter	22 mm	■
Nylon base with positioning studs		■
Lever with fixable bearing		■
Spreaded spindle	7 mm	□
	8 mm	■
	8,5 mm	□
Concealed, continuous screw connection		■
■ Yes – No □ on request		



Description

- Available for all common partition wall-/ door thicknesses
- Complete with WC lock and red / white indicator
- Emergency opening via 8 mm external spindle
- Coin opening slot on request
- Also available BB, PZ and lever/knob version
- Appropriate drill template available, (Art.-No. 930317)
- Fixable bearing


Dimensioning



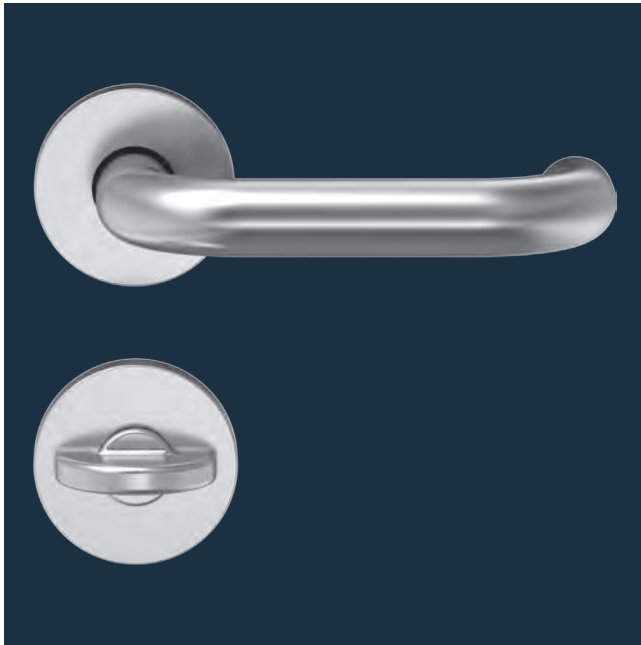
EN 1906

SGL
Zertifizierte Qualität

AI

Handle	Article number	Form	∅	Outer square	Material
D-110.AI.12.WC	152520.30	U-Form	8 mm		Aluminium
D-310.AI.12.WC	152720.30	CL-Form	8 mm		Aluminium
D-410.AI.12.WC	152d20.30	U-Form	8 mm		Aluminium



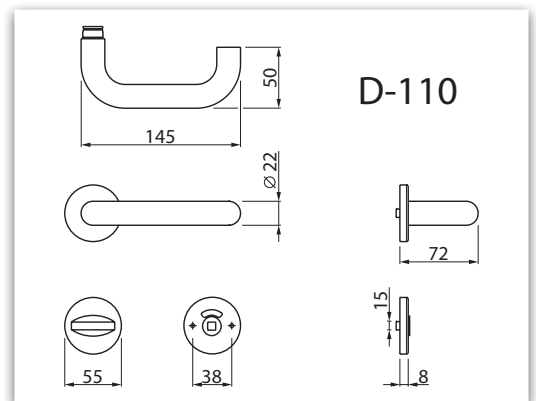


Product characteristics		
Utilization category class 4	EN 1906	■
Lever with continuous steel core		-
Lever diametre	22 mm	■
Steel ground with positioning studs		■
Lever with fixable bearing		-
Spindle	7 mm	□
	8 mm	■
	8,5 mm	□
Concealed, continuous screw connection		■

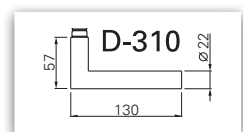
■ Yes - No □ on request


Description

- Available for all common partition wall-/ door thicknesses
- Complete with WC lock and red / white indicator
- Emergency opening via 8 mm external spindle
- Coin opening slot on request
- Also available BB, PZ and lever/knob version
- Appropriate drill template available, (Art.-No. 930317)
- Fixable bearing




Dimensioning

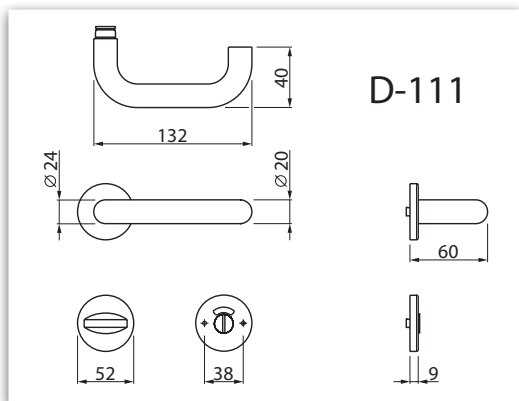
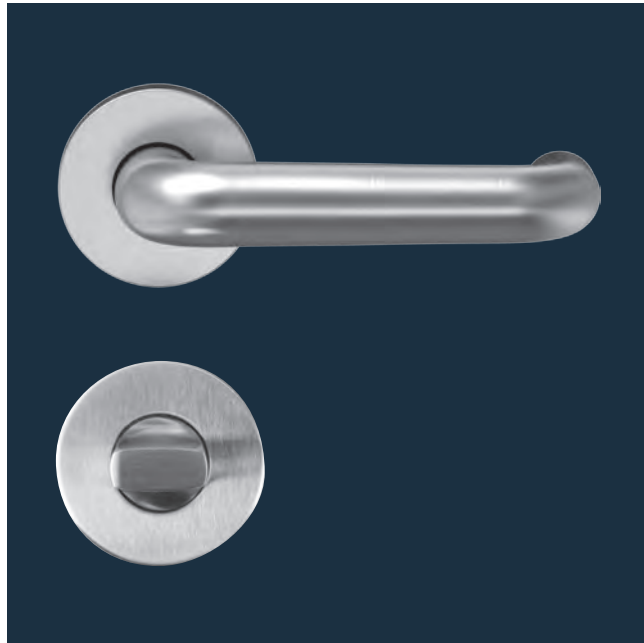


D-110	Article number	Form	∅	Outer square	Material
D-110.AI.13.WC	157520.30	U-Form	8 mm		Aluminium



D-310	Article number	Form	∅	Outer square	Material
D-310.AI.13.WC	157720.30	CL-Form	8 mm		Aluminium

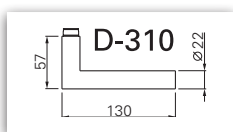
Product characteristics		
Utilization category class		-
Lever diametre	19 mm	■
Steel base		■
Lever with fixable bearing		■
Spindle	7 mm	□
	8 mm	■
	8,5 mm	□
Concealed, continuous screw connection		■
■ Yes - No □ on request		



Description

- Available for all common partition wall-/ door thicknesses
- Complete with WC lock and red / white indicator
- Appropriate drill template available, (Art.-No. 930317)
- Square spindle inset in handle

Dimensioning




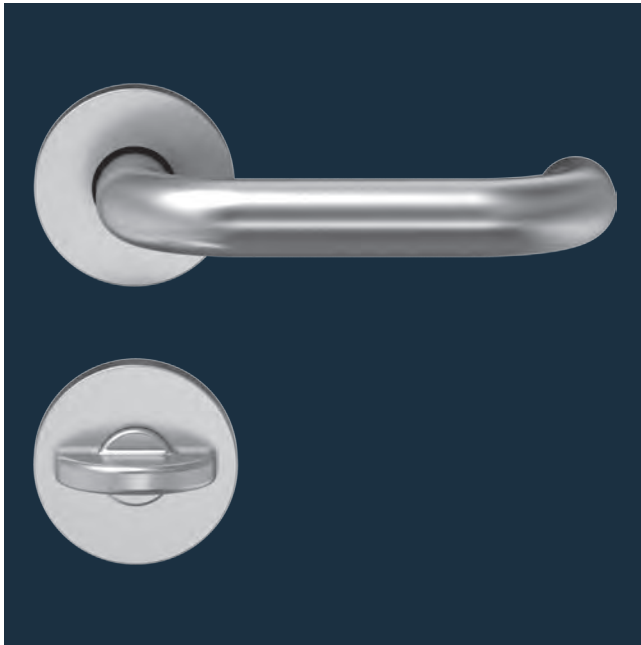
EN 1906

BGL
Zertifizierte Qualität

ER



Handle	Article number	Form	∅	Slit knob	Material
D-111.ER.10.WC	176516.46	U-Form	8 mm		Stainless steel
D-310.ER.10.WC	176519.46	CL-Form	8 mm		Stainless steel

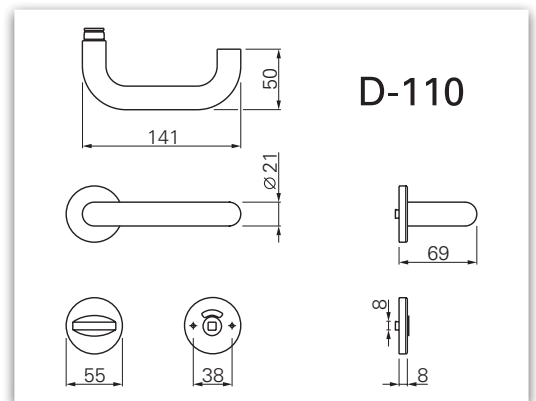


Product characteristics		
Utilization category class 3	EN 1906	■
Maintenance free lever guidance		■
Lever diametre	21 mm	■
Nylon base with positioning studs		■
Lever with fixable bearing		■
Spare spindle	7 mm	-
	8 mm	■
	8,5 mm	-
Concealed, continuous screw connection		■

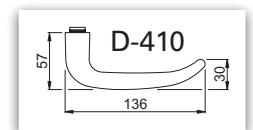
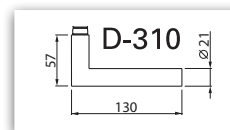
■ Yes – No □ on request


Description

- Available for all common partition wall-/ door thicknesses
- Complete with WC lock and red / white indicator
- Emergency opening via 8 mm external spindle
- Coin opening slot on request
- Also available BB, PZ and lever/knob version
- Appropriate drill template available, (Art.-No. 930317)
- Fixable bearing with restoring spring
- Surface: Stainless steel matt brushed

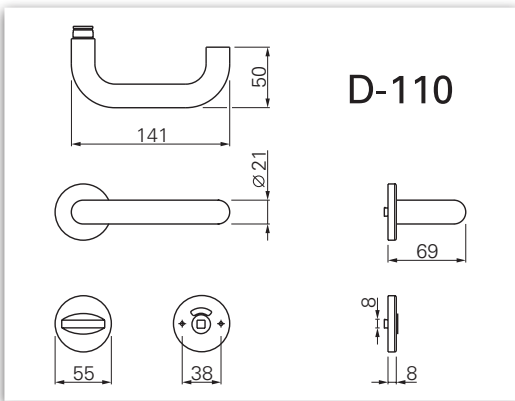
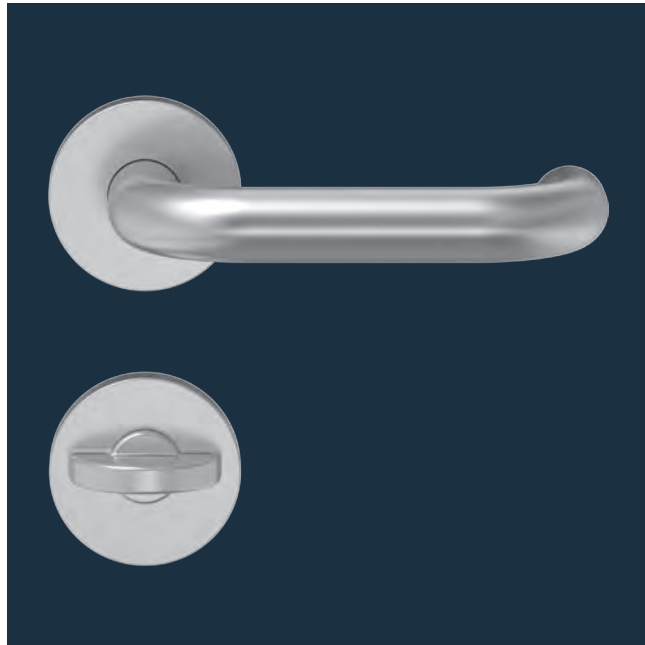


Dimensioning



Handle	Article number	Form	∅	Outer square	Material
D-110.ER.12.WC	152520.46	U-Form	8 mm		Stainless steel
D-310.ER.12.WC	152720.46	CL-Form	8 mm		Stainless steel
D-410.ER.12.WC	152d20.46	U-Form	8 mm		Stainless steel

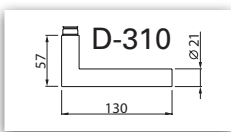
Product characteristics		
Utilization category class 4	EN 1906	■
Maintenance free lever guidance		■
Lever diametre	21 mm	■
Steel base with positioning studs		■
Lever with fixable bearing		■
Spare spindle	7 mm	-
	8 mm	■
	8,5 mm	-
Concealed, continuous screw connection		■
■ Yes – No ■ On Request		



Description

- Available for all common partition wall-/ door thicknesses
- Complete with WC lock and red / white indicator
- Emergency opening via 8 mm external spindle
- Coin opening slot on request
- Also available BB, PZ and lever/knob version
- Appropriate drill template available, (Art.-No. 930317)
- Fixable bearing
- Surface: Stainless steel matt brushed

Dimensioning




EN 1906

OGI
Zertifizierte Qualität

ER



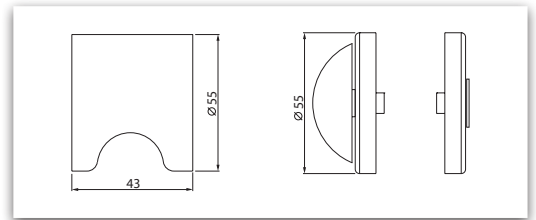
Handle	Article number	Form	∅	Outer square	Material
D-110.ER.13.WC	156520.46	U-Form	8 mm		Stainless steel
D-310.ER.13.WC	156720.46	CL-Form	8 mm		Stainless steel



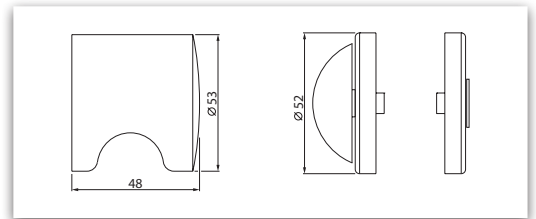
Description

- 2 knobs complete with WC locking
- Emergency opening via 8 mm external spindle
- Coin opening slot on request (SK)
- Concealed fastening
- Available for all common partition wall- / door thicknesses

ER AI



Ku



ER

Article number	Material	Execution
156031.46	Stainless steel	AV
156032.46	Stainless steel	SK



AI

Article number	Material	Execution
157032.30	Aluminium	AV
157034.30	Aluminium	SK



Ku

Article number	Material	Execution
150800	Nylon	AV
on demant	Nylon	SK

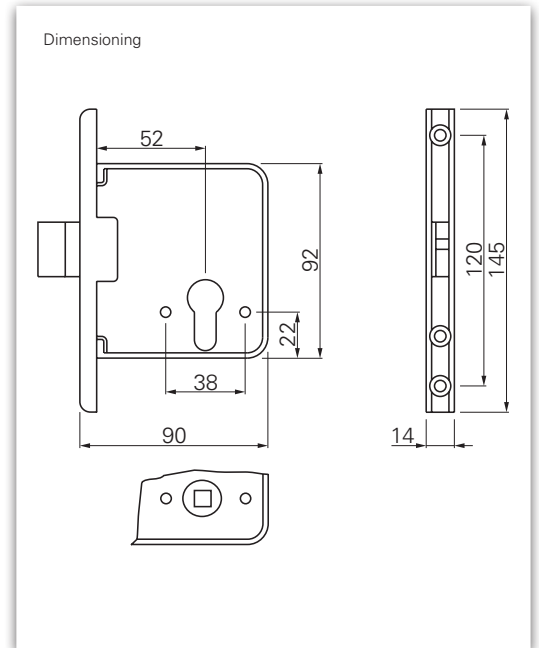
KEMMLIT
Partition system variocell



ECO Hardware for Sanitary Partitions Where there's a door...

Whether under our own trademark or as an OEM partner product of renowned door manufacturers, solutions from ECO Schulte make doors functional all over the world. Where there's a door, ECO Schulte is not far away.

All over the planet, builders and investors are realizing demanding projects together with architects and planners. Clever solutions for doors are always in demand. Our philosophy of system security and reliability in the door is to be found just as much in contemporary architecture as in impressive hotels, public buildings, private residences, royal castles, private apartments and stadia.



Description

- Execution WC or PZ
- Nylon dead bolt
- Lock case polished
- WC hub 8 mm
- *Dead bolt nickel-plated, on request



Ku

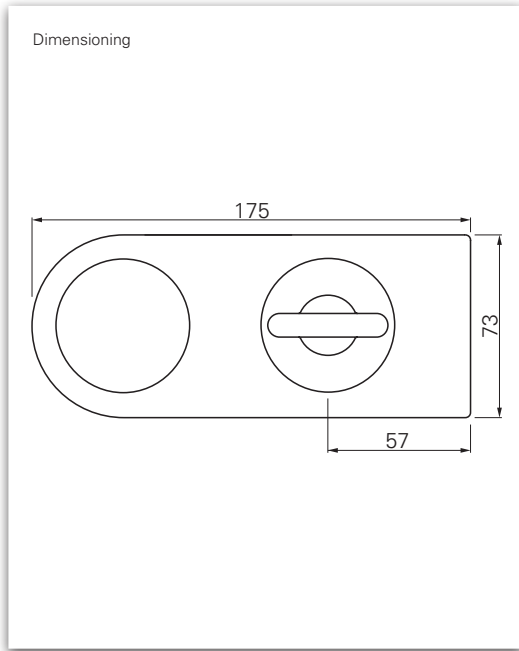
Mortise dead lock U-face plate WC-hole	Article number	Dead bolt	Material
Mortise dead lock WC	260405	Nylon	Nylon



Ku

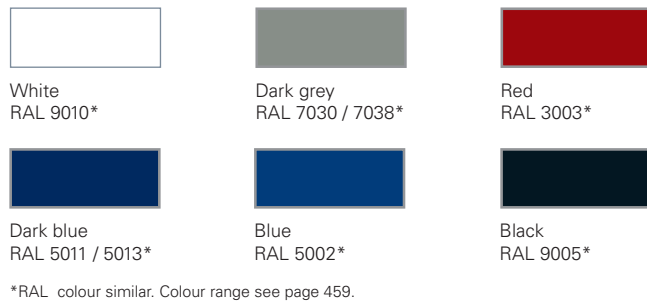
Mortise dead lock U-face plate PZ-hole	Article number	Dead bolt	Material
Mortise dead lock PZ	260400	Nylon	Nylon

Locks for bathroom doors and sanitary partitions ■ Lock set



Description

- DIN right / left WC: usable
- With 2 knobs, WC-lock and red / white indicator
- Emergency opening via external spindle (AV)
- Concealed mounting plate
- Spindle 8 mm
- Further colours on request



WC-lock set Nylon	Dead bolt	Article number	Material
Lock set WC-hole	Dead bolt flush	260456	Nylon
Lock set WC-hole	Dead bold cranked	260459	Nylon
Lock set PZ-hole	Dead bolt flush (right)	260454	Nylon
Lock set PZ-hole	Dead bolt flush (left)	260455	Nylon
Lock set PZ-hole	Dead bolt cranked (right)	260452	Nylon
Lock set PZ-hole	Dead bolt cranked (left)	260451	Nylon

WC-lock set Stainless steel	Dead bolt	Article number	Material
Lock set WC-hole	Dead bolt flush	260456.46	Stainless steel
Lock set WC-hole	Dead bold cranked	260459.46	Stainless steel
Lock set PZ-hole	Dead bolt flush	260455.46	Stainless steel
Lock set PZ-hole	Dead bold cranked	260451.46	Stainless steel

WC-lock set Aluminium	Dead bolt	Article number	Material
Lock set WC-hole	Dead bolt flush	260456.30	Aluminium
Lock set WC-hole	Dead bold cranked	260459.30	Aluminium
Lock set PZ-hole	Dead bolt flush	260455.30	Aluminium
Lock set PZ-hole	Dead bold cranked	260451.30	Aluminium

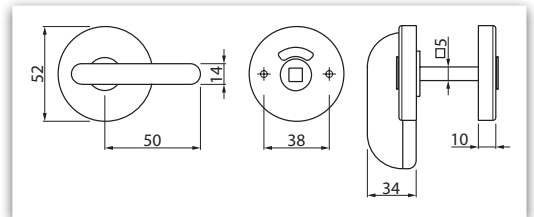




Description

- Nylon version
- DIN left / right usable
- Complete with WC lock and red / white indicator
- Emergency opening via external spindle (AV)
- Continuous screw connection
- Available for all common partition wall-/ door thicknesses
- Further colours on request

Dimensioning



White
RAL 9010*



Dark grey
RAL 7030 / 7038*



Red
RAL 3003*



Dark blue
RAL 5011 / 5013*



Blue
RAL 5002*



Black
RAL 9005*

*RAL colour similar. Colour range see 459.



Ku

WC-hasp-type lock		Article number	Material
Hasp-type lock		260499	Nylon
Hasp-type set	with two additional knobs	150450	Nylon



Daycare facility for children „De Laabfrosch“ in Brensbach, Germany
Picture: Schäfer Trennwandysteme GmbH

ECO Hardware for Sanitary Partitions Nylon handles.

Used as basics, ECO handles made of high-quality nylon offer the option of setting colourful accents in architecture.

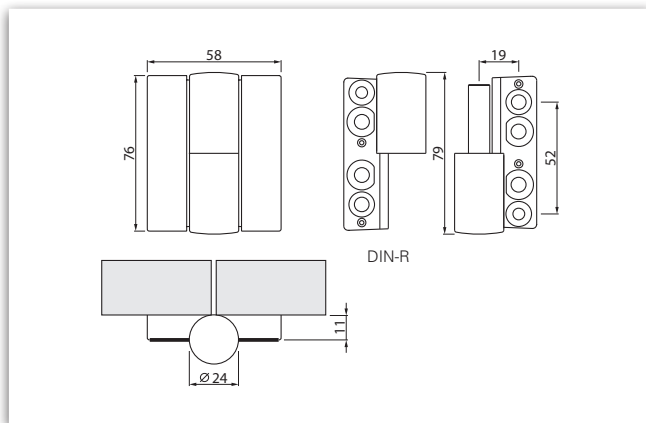
A steel core is covered with polyamide, thus combining a pleasant feel with toughness and durability. ECO nylon handles are wearproof, colour and lightfast. The surfaces are harmless from a health and hygiene point of view, not susceptible to electrostatic charging and dimensionally stable in hot and cold temperatures.

ECO handles and accessories in addition to the door handles.



Product characteristics		
Execution	24 / 21	■
	24 / 28	-
Steel insert	3 mm	■
Two-piece with two nylon caps		■
Concealed fastening		■
Matching washers (available as accessories)	1 mm	■
	2 mm	■
	3 mm	-

■ Yes - No ■ On request



Dimensioning



*RAL colour similar. Colour range see page 459.

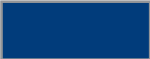
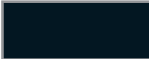


Nylon hinge for unrebated doors	Article number	Description	Material
Nylon hinge	260300	24 / 21 DIN-R	Nylon
Nylon hinge	260305	24 / 21 DIN-L	Nylon
Washer	260379	1 mm	
Washer	260382	2 mm	

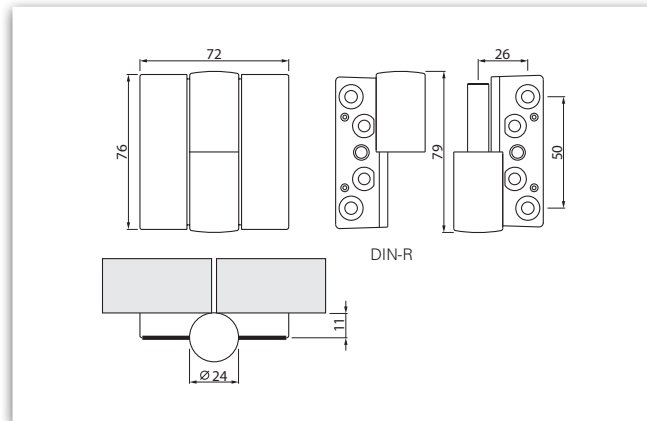
Product characteristics		
Execution	24 / 21	-
	24 / 28	■
Steel insert	3 mm	■
Two-piece with two nylon caps		■
Concealed fastening		■
Matching washers (available as accessories)	1 mm	-
	2 mm	-
	3 mm	■

■ Yes – No □ on request



		
White RAL 9010*	Dark grey RAL 7030 / 7038*	Red RAL 3003*
		
Dark blue RAL 5011 / 5013*	Blue RAL 5002*	Black RAL 9005*

*RAL colour similar. Colour range see page 459.



Dimensioning

Ku

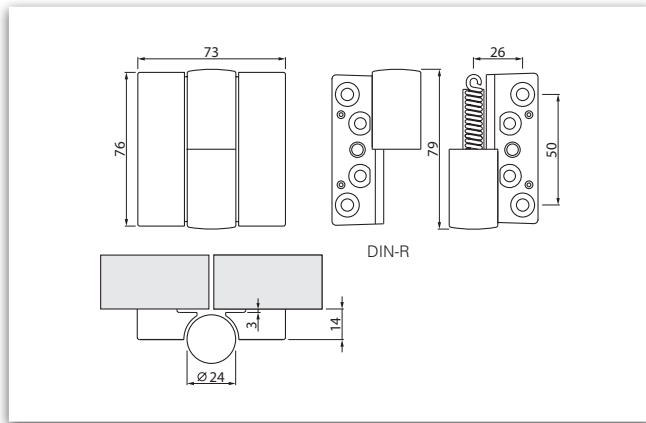


Nylon hinge for unrebated doors	Article number	Description	Material
Nylon hinge	260350	24 / 28 DIN-R	Nylon
Nylon hinge	260355	24 / 28 DIN-L	Nylon
Washer	260383	3 mm / DIN-R	
Washer	260384	3 mm / DIN-L	



Product characteristics		
Execution	24 / 21	-
	24 / 28	■
Steel insert	3 mm	■
Two-piece with two nylon caps		■
Concealed fastening		■
Matching washers truncated (available as accessorie)	1 mm	-
	2 mm	-
	3 mm	■

■ Yes – No □ on request



Dimensioning



*RAL colour similar. Colour range see 459.

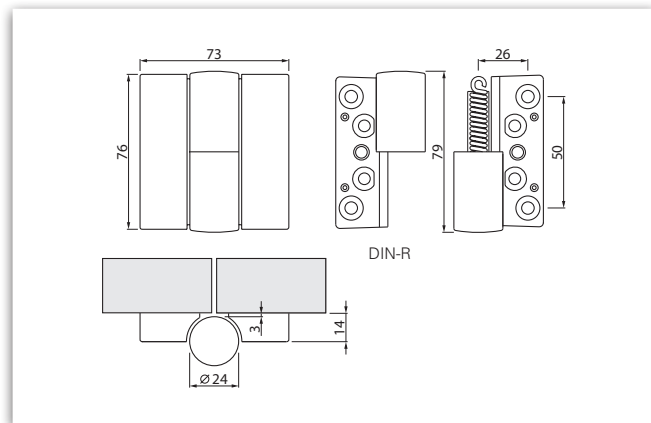


Nylon (spring) hinge for unrebated doors	Article number	Description	Material
Nylon hinge	260368	24 / 28 DIN left	Nylon
Nylon hinge	260369	24 / 28 DIN right	Nylon
Nylon spring hinge	260668	24 / 28 DIN left	Nylon
Nylon spring hinge	260669	24 / 28 DIN right	Nylon

Product characteristics		
Execution	24 / 21	-
	24 / 28	■
Steel insert	3 mm	■
Two-piece with two nylon caps		■
Concealed fastening		■
Matching washers clipable (available as accessorie)	1 mm	-
	2 mm	-
	3 mm	■
■ Yes – No ■ on request		



*RAL colour similar. Colour range see 459.



Dimensioning

Ku

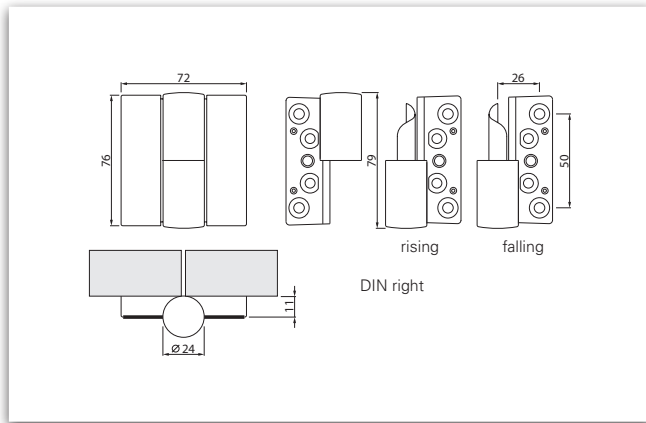


Nylon (spring) hinge for unrebated doors	Article number	Description	Material
Nylon spring hinge	260600	24 / 28 DIN right	Nylon
Nylon spring hinge	260605	24 / 28 DIN left	Nylon
Washer	260383	3 mm / DIN right	
Washer	260384	3 mm / DIN left	



Product characteristics		
Execution	24 / 21	-
	24 / 28	■
Steel insert	3 mm	■
Rising hinge: self-closing		■
Falling hinge: self-opening		-
Two-piece with two nylon caps		■
Concealed fastening		■
Matching washer clipable (available as accessorie)	1 mm	-
	2 mm	-
	3 mm	■

■ Yes - No ■ on request



Dimensioning



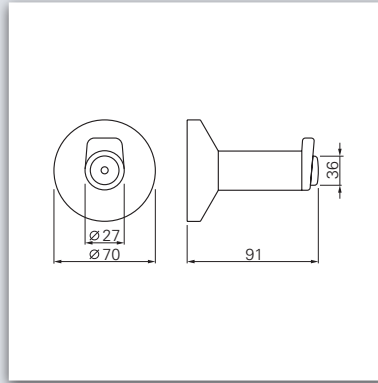
*RAL colour similar. Colour range see page 459.



Rising nylon (spring) hinge for unrebated doors	Article number	Description	Material
Nylon hinge	260700	24 / 28, rising DIN right	Nylon
Nylon hinge	260705	24 / 28, rising DIN left	Nylon
Washer	260383	3 mm / DIN right	
Washer	260384	3 mm / DIN left	



Nylon hook bumper ■ with bumper



Dimensioning

- also usable as coat hook
- with integrated wall-door bumper
- concealed screw connection
- Further colours on request



White
RAL 9010*



Dark grey
RAL 7030 / 7038*



Red
RAL 3003*



Dark blue
RAL 5011 / 5013*



Blue
RAL 5002*



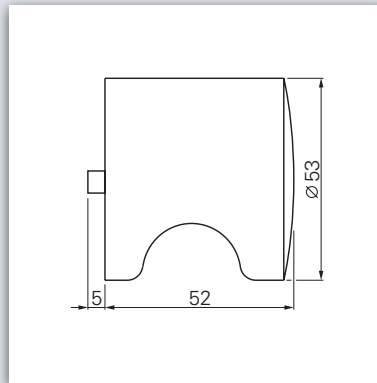
Black
RAL 9005*

*RAL colour similar. Colour range see page 459.



	Article number	Description	Material
Hook bumper	260030	With bumper	Nylon

Nylon knob ■ with and without bumper



Dimensioning

- with positioning studs to prevent dislocation
- further colours on request



White
RAL 9010*



Dark grey
RAL 7030 / 7038*



Red
RAL 3003*



Dark blue
RAL 5011 / 5013*



Blue
RAL 5002*



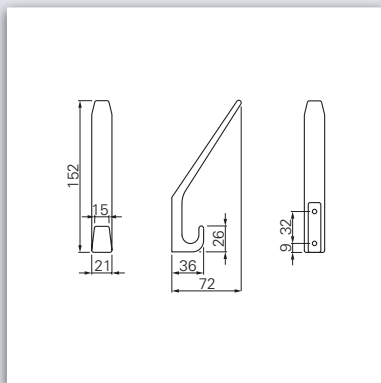
Black
RAL 9005*

*RAL colour similar. Colour range see page 459.



	Article number	Description	Material
Knob	110826	with bumper	Nylon
Knob	110825	without bumper	Nylon
Pair of knobs	110828	without bumper	Nylon

Nylon hat and coat hook



Dimensioning

- concealed screw-on fitting strip
- further colours on request



White
RAL 9010*



Dark grey
RAL 7030 / 7038*



Red
RAL 3003*



Dark blue
RAL 5011 / 5013*



Blue
RAL 5002*



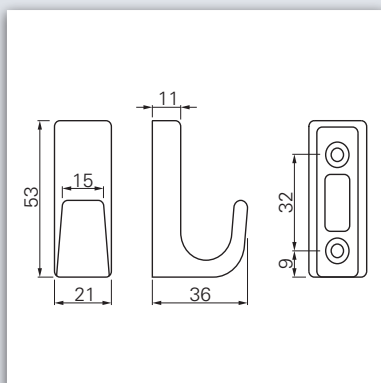
Black
RAL 9005*

*RAL colour similar. Colour range see page 459.

Ku

	Article number	Material
Hat and coat hook	260150	Nylon

Nylon coat hook



Dimensioning

- concealed screw-on fitting strip
- further colours on request



White
RAL 9010*



Dark grey
RAL 7030 / 7038*



Red
RAL 3003*



Dark blue
RAL 5011 / 5013*



Blue
RAL 5002*



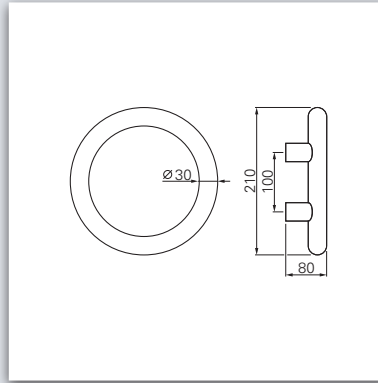
Black
RAL 9005*

*RAL colour similar. Colour range see page 459.

Ku

	Article number	Material
Coat hook	260100	Nylon

Nylon push-pull handle ■ with or without bumper



Dimensioning

- handle diameter: 30 mm
- distance between centres: 100 mm
- with or without bumper
- simple and quick mounting
- further colours on request



White
RAL 9010*



Dark grey
RAL 7030 / 7038*



Red
RAL 3003*



Dark blue
RAL 5011 / 5013*



Blue
RAL 5002*



Black
RAL 9005*

*RAL colour similar. Colour range see page 459.



Ku

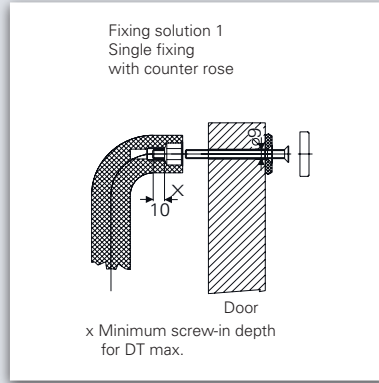
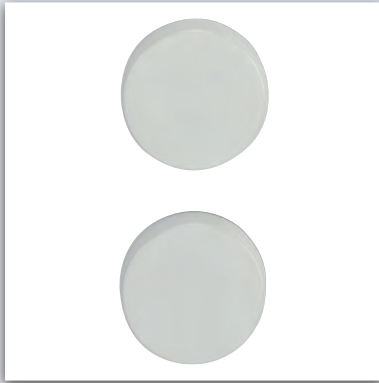
Push-pull handle circular (inside) without bumper	Article number	Ø	Height	Material
Push-pull handle circular (outside)	255551	30 mm	64 mm	Nylon



Ku

Push-pull handle circular with bumper, with fixation	Article number	Ø	Height	Material
# 1 (TS13-30)	255580	30 mm	80 mm	Nylon

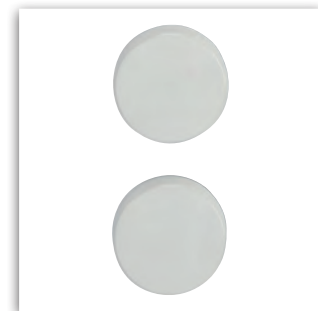
Fixing system for nylon push-pull handle



Dimensioning

- available for following door thicknesses:
- fixing set 1: 5- 20 mm
- 20- 40 mm
- 40- 60 mm
- 60- 80 mm

Ku



Fixing system for nylon push-pull handle	Article number	Ø	Description	Material
Solution 1	255802	30 mm	Single fixing with counter rose	Nylon

Nylon partition element foot



Ø 40 mm



Ø 20 mm

- concealed screw connection
- further colours on request
- holder for M10 threaded screw (DIN 933) for height adjustment



White
RAL 9010*



Dark grey
RAL 7030 / 7038*



Red
RAL 3003*



Dark blue
RAL 5011 / 5013*

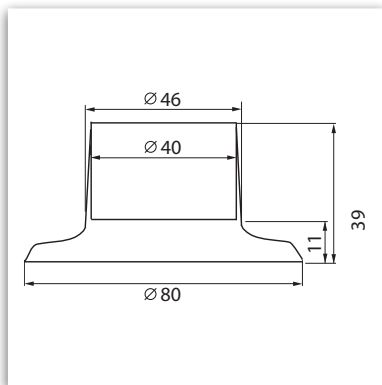


Blue
RAL 5002*



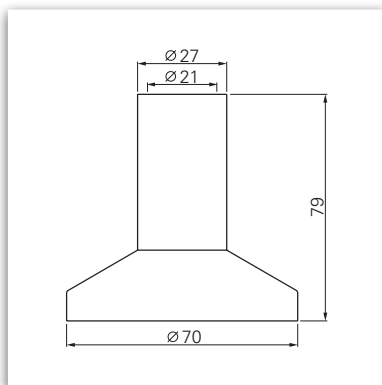
Black
RAL 9005*

*RAL colour similar. Colour range see page 459.



Ku

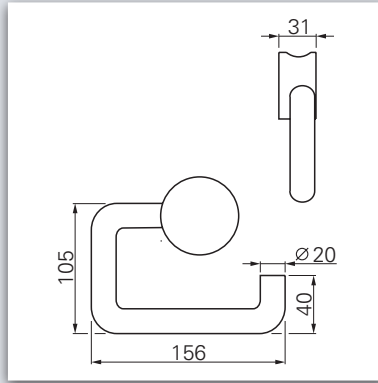
	Article number	Ø	Height	Material
Partition element foot without threaded screw	260068	40 mm	39 mm	Nylon
Partition element foot with threaded screw (DIN 933 M10x45 bvz)	260069	40 mm	39 mm	Nylon



Ku

	Article number	Ø	Height	Material
Partition element foot without threaded screw	260020	20 mm		Nylon
Partition element foot without threaded screw	260021	20 mm	79 mm	Nylon
Partition element foot with threaded screw (DIN 933 M10x45 bvz)	260019	20 mm	79 mm	Nylon
Partition element foot without threaded screw	260038	20 mm	55 mm	Nylon
Partition element foot with threaded screw (DIN 933 M10x45 bvz)	260099	20 mm	55 mm	Nylon

Nylon toilet roll holder



Dimensioning

- concealed screw connection
- further colours on request



White
RAL 9010*



Dark grey
RAL 7030 / 7038*



Red
RAL 3003*



Dark blue
RAL 5011 / 5013*



Blue
RAL 5002*



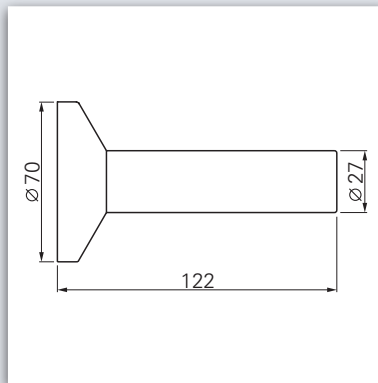
Black
RAL 9005*

*RAL colour similar. Colour range see page 459.



	Article number	Material
Toilet role holder	260200	Nylon

Nylon spare toilet role holder



Dimensioning

- concealed screw-on fitting strip
- wall mounting
- further colours on request



White
RAL 9010*



Dark grey
RAL 7030 / 7038*



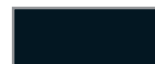
Red
RAL 3003*



Dark blue
RAL 5011 / 5013*



Blue
RAL 5002*



Black
RAL 9005*

*RAL colour similar. Colour range see page 459.



	Article number	Material
Spare toilet roll holder	260010	Nylon

WC-toilet brush set



with nylon brush holder

- wall mounting
- nylon holder
- with removable brush holder made of satin glass or nylon
- further colours on request



White
RAL 9010*



Dark grey
RAL 7030 / 7038*



Red
RAL 3003*



Dark blue
RAL 5011 / 5013*

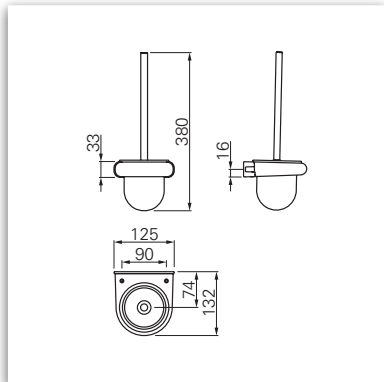


Blue
RAL 5002*



Black
RAL 9005*

*RAL colour similar. Colour range see page 459.



Ku

	Article number	Material brush holder
WC-toilet brush set	260120	Nylon
Replacement brush	260110.17	

Sanitary partitions ■ Colour range

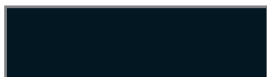
RAL colour similar* Standard

RAL 3003



01 red

RAL 9005



02 black

RAL 9010



08 white

RAL 5002



09 blue

RAL 5011 / 5013



21 dark blue

RAL 7030 / 7038



37 dark grey

On request

RAL 8022



04 dark brown

RAL 6029



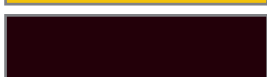
05 green

RAL 1021



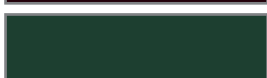
07 yellow

RAL 3007



18 dark red

RAL 6012



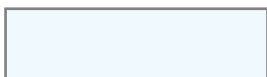
19 dark green

RAL 7043



20 grey

RAL 9016



15 white



ECO Schulte GmbH & Co. KG
Iserlohner Landstraße 89
D - 58706 Menden

Telefon: +49 2373/9276-0
Fax: +49 2373/9276-40

info@eco-schulte.de
www.eco-schulte.de

© ECO Schulte GmbH & Co. KG - Änderungen vorbehalten
© ECO Schulte GmbH & Co. KG - Subject to change