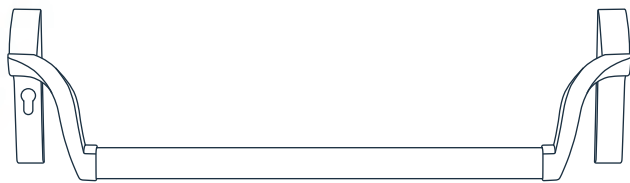


Panic, Lock and Bolting Technology

Always on the safe side.



If panic breaks out

Panic bolting technology ensures that people can get out of a danger zone at any time, even in a panic situation. One push on the horizontal activation element is all it takes and the door springs open – irrespective of whether it was locked or not.



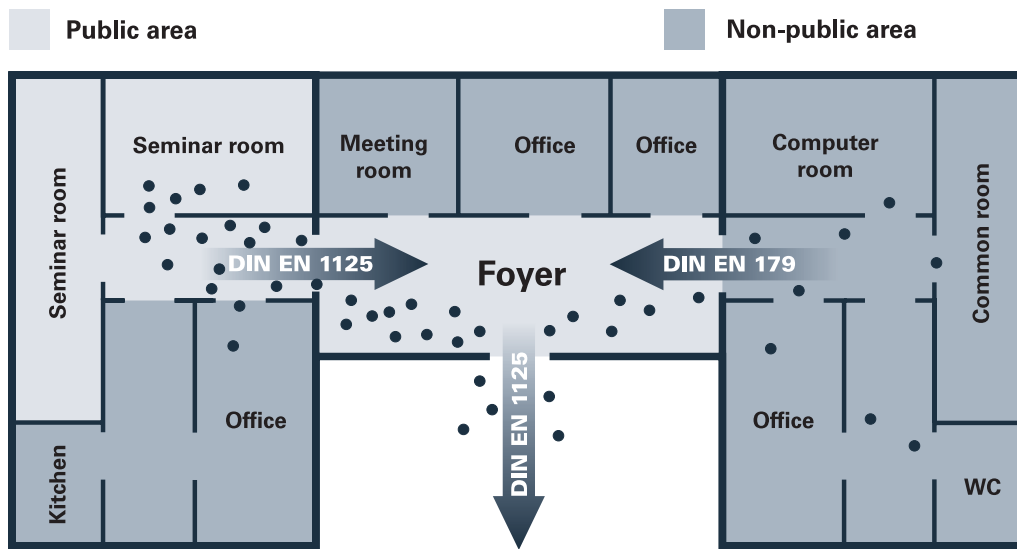
ECO unlocking solutions also open up the escape route when a crowd of people press against the door. And even the strength of a child is sufficient to open the door to escape from a fire or toxic smoke.

ECO bolting technology satisfies European standards **EN 1125** (Panic locks with horizontal activation bars) and **EN 179** (Emergency exit locks with handles or impact plates) – and demonstrates the company's expertise. The lock and release element are developed and manufactured in coordination with one another.


With panic systems in particular, it is important to perceive the door as a system, because it's not only the panic lock, door lock and fitting that have to interact perfectly so that the door can help in a life-threatening situation. The door closer and hinges have a decisive influence on the ability to satisfy the high demands set by the standard.

Differentiation by building utilization

The type of room and utilization of the building are decisive when choosing the right panic door combination. European standards **DIN EN 1125** and **DIN EN 179** define the fittings of panic doors and emergency exits. Emergency exit locks in compliance with **DIN EN 179** are not normally subjected to use by the general public. It is assumed here that the users of the building are acquainted with the escape routes, so conventional panic lock technology with a handle or impact plate are sufficient here. Panic locks with a horizontal activation bar in accordance with **DIN EN 1125**, on the other hand, are intended for use in buildings frequented by the general public. Our panic systems in conformance with **DIN EN 1125** ensure that persons who have panicked and are not acquainted with the functions of the door can always get out of the building safely.



4

Panic locks with a horizontal activation bar **EN 1125** 


Panic locks in accordance with **DIN EN 1125** are used in public buildings in which the users are not acquainted with the functioning of the escape door but must nevertheless be able to operate them without instruction.

Panic locks activated mechanically by means of a horizontal handle or push-bar.

Areas of application:

- Hospitals and clinics
- Escape routes in schools and training centres
- Public administration buildings
- Stadia, arenas and events buildings
- Shopping centres

Users have **no** advance knowledge of how to open the escape door.

Emergency exit locks with door handle **EN 179** 

Emergency exit locks in accordance with **DIN EN 179** for buildings or building sections not open to the general public and all areas where access by the general public can be excluded. Side entrances or doors in these buildings or building sections are only used by authorized persons.

Emergency exit locks operated mechanically by means of a handle or impact plate.

Areas of application:

- Private residential complexes
- School classrooms
- Non-public administration buildings or industrial companies
- Non-public areas of administrative buildings
- Non-public areas of airports, banks, shopping centres

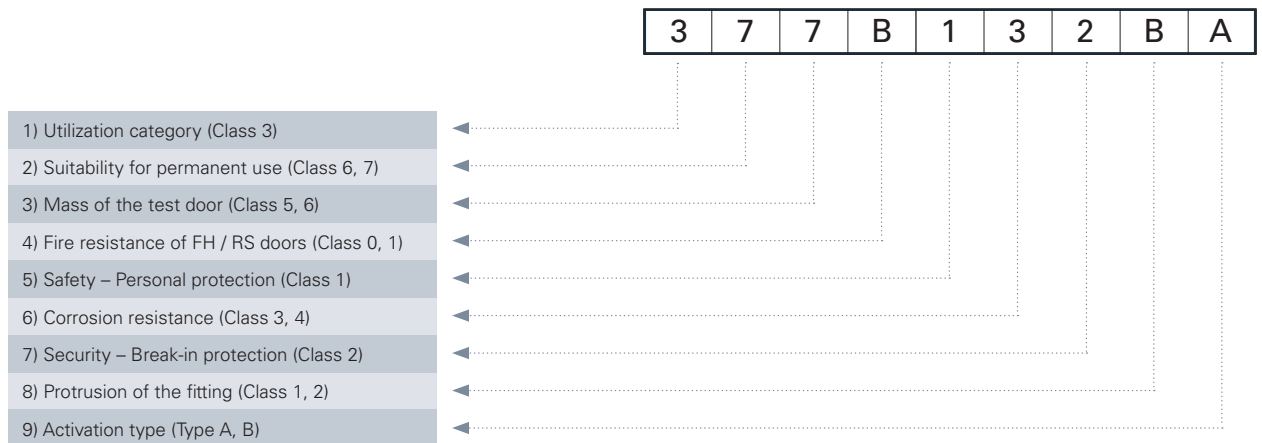
Users have advance knowledge of how to open the escape door.

Clarity through marking

Whether or not a product complies with the standard, thus acquiring approval for use in escape and rescue routes, can be seen from a classification code on the product

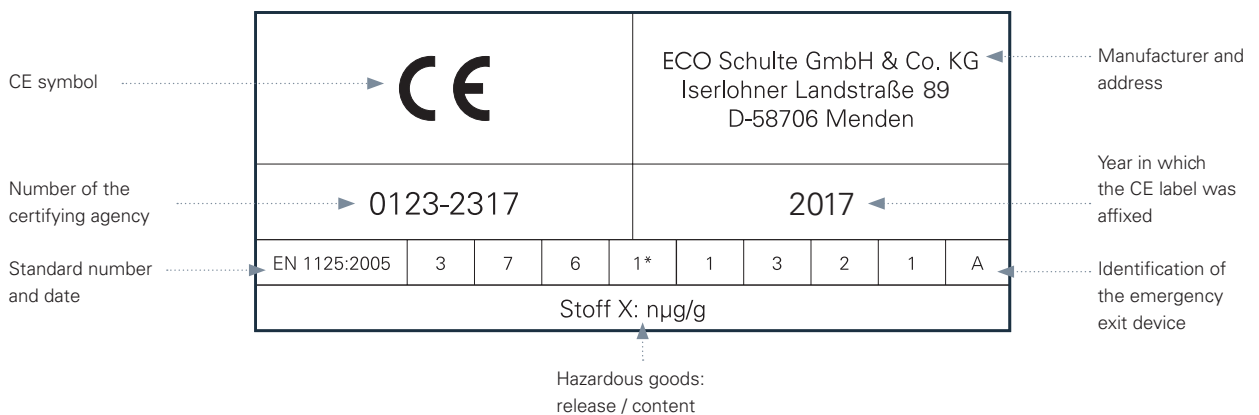
Classification Code DIN EN 1125

The standard requires that all products tested for compliance with it be classified with a 9-digit code. Here is the classification code of the ECO GBS 93 / EPN 2000 II:



Example of a CE marking

The CE marking documents that a product complies with standards. The example given here is for the ECO panic lock system EPN 900 tested in accordance with **DIN EN 1125**. With the CE marking, the manufacturer documents that his product complies with the applicable EU directives.



Panic door combinations

ECO panic door fittings: Screw-on safety and security

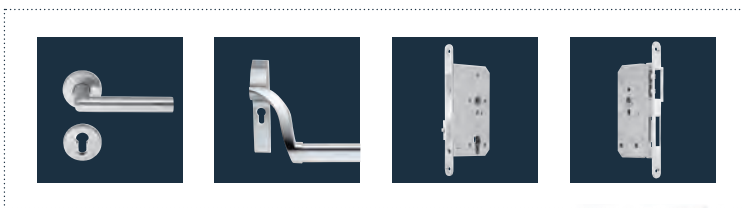
ECO Schulte fittings for escape and rescue route doors guarantee easy opening in an emergency. Even if the doors are locked shut, they can be opened without a key in accordance with standards with only one simple hand movement using a force of max. 80 N. The door fittings are designed in such a way that there is no risk of clothing getting caught in them when people flee the building. The free end of the door handle is returned in the direction of the door surface at an angle of at least 30 degrees in order to preclude the obstruction of fleeing persons and the risk of injury by the door handle.



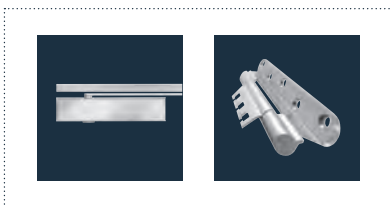
Panic door combinations – tested jointly

ECO Schulte considers panic door combinations to be a perfectly coordinated system. Only the perfect interplay of all components guarantees perfect conformity with the standard right down to the last detail. Although the lock, fitting and triggering mechanism are the key functions of this panic door combination, the use of a coordinated door closer and high-quality hinges is of equal importance, because these functional elements of the ECO system also make a decisive contribution towards ensuring that a door can guarantee a safe way out if panic breaks out. Because safety and security are inseparable, ECO Schulte recommends the use of a complete system from a single source.

This ECO panic door combination consists of a fitting, horizontal panic bar, panic switch lock and counterpiece.



Safety and security are inseparable: only with ECO door closers and ECO hinges is the single source panic door combination complete.



Panic lock functions

A panic lock functions in line with a defined principle: when the handle or panic bar is activated from the inside, the lock must spring open abruptly with a defined amount of force. Not only the latch but, if needed the entire bolt is pulled back here. This basic function can be refined and varied using ECO technology:

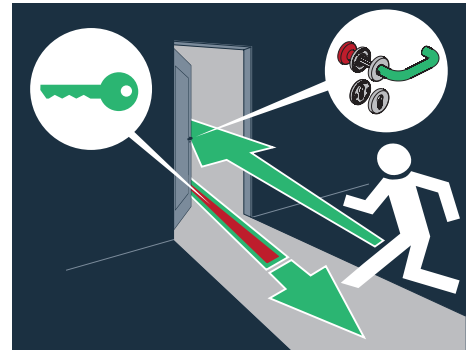
Watch movie



Panic Function E – Alternating function

Panic Function E is intended for buildings with access for a defined group of people. A blind plate or knob is mounted on the outside and the door can only be opened with a key. Conventional panic function per handle from the inside.

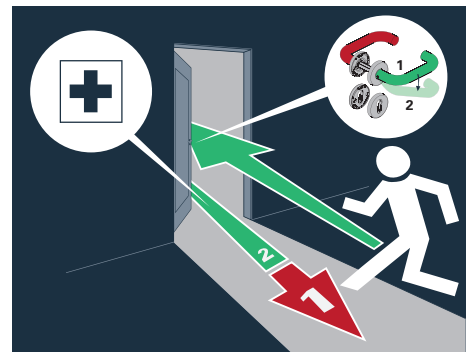
Area of application: heating room access doors, elevator systems, underground/ multi-storey car parks, storage and commercial buildings, entrance doors in rented apartment complexes and blocks of flats.



Panic Function D – Transit function

Panic Function D is intended for doors with a pure escape function which are not used otherwise. When the conventional panic function is activated from the inside, the door is opened and the outer handle is engaged as well. In this setting, the door does not constitute an obstacle when entering the building or escaping from it. The original function can be reset with a key. The coupling is mechanical via a two-part hub.

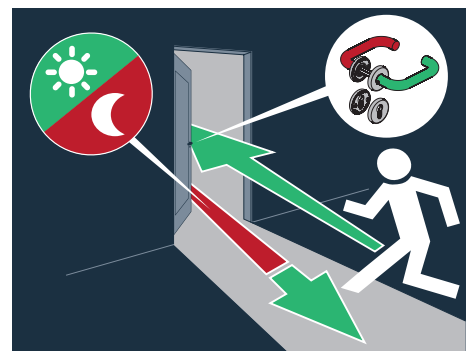
Area of application: escape doors in administration/ office buildings, retirement homes, side entrance doors (e.g. schools and hotels).



Panic Function B – Switchover function

Panic Function B with a handle on both sides is designed for buildings open to the general public. While the handle on the inside has a conventional panic function, the outside handle can be engaged or disengaged mechanically as required. The two handles are coupled via a two-part hub.

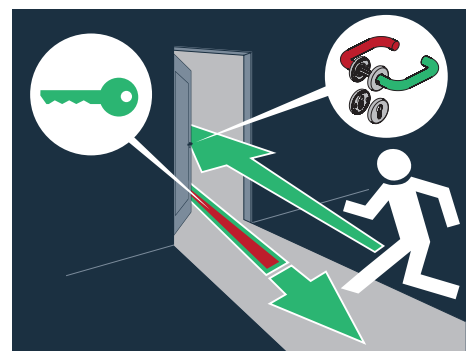
Area of application: escape doors in administration buildings, retirement homes, side entrance doors (e.g. schools and hotels).



Panic Function C – Forced closure function

Panic Function C with a handle on both sides is designed for buildings open to the general public: While the handle on the inside has a conventional panic function, the handle on the outside is disengaged as standard (idle function) and a key position (open position) must be used to engage and disengage it (forced closure). However, the key can only be removed after the idle function has been set again.

Fields of application: doors in administration or office buildings, retirement homes, side entrance doors (schools or hotels)



Two concepts for secure functioning

ECO Schulte offers two horizontal panic door locking systems which differ in their aesthetics and function. They are suitable for buildings in which the outbreak of panic is at least likely in the event of danger. The objective is to provide a safe escape opportunity with minimum effort and without any advance knowledge of the functioning of the escape door lock.

Pushbar – Panic door lock with a tube

The ECO Pushbar is a Type A mechanical panic door lock in compliance with Euro standard **EN 1125**. This panic door lock unlocks reliably, even when a force is already acting on the door. Movement of the horizontally attached tube in the direction of escape in a downward arch releases the locking mechanism abruptly via a steel gear system. This function can be activated from every point along the bar. The ECO Pushbar can be bolted on or through the door and is protected against vandalism, depending on the construction and design. Available in standard or special lengths with a galvanized steel core with aluminium F1 or nylon coating or in high-grade stainless steel.

EPN 900 III ER



Touchbar – Panic door lock with a pressure bar

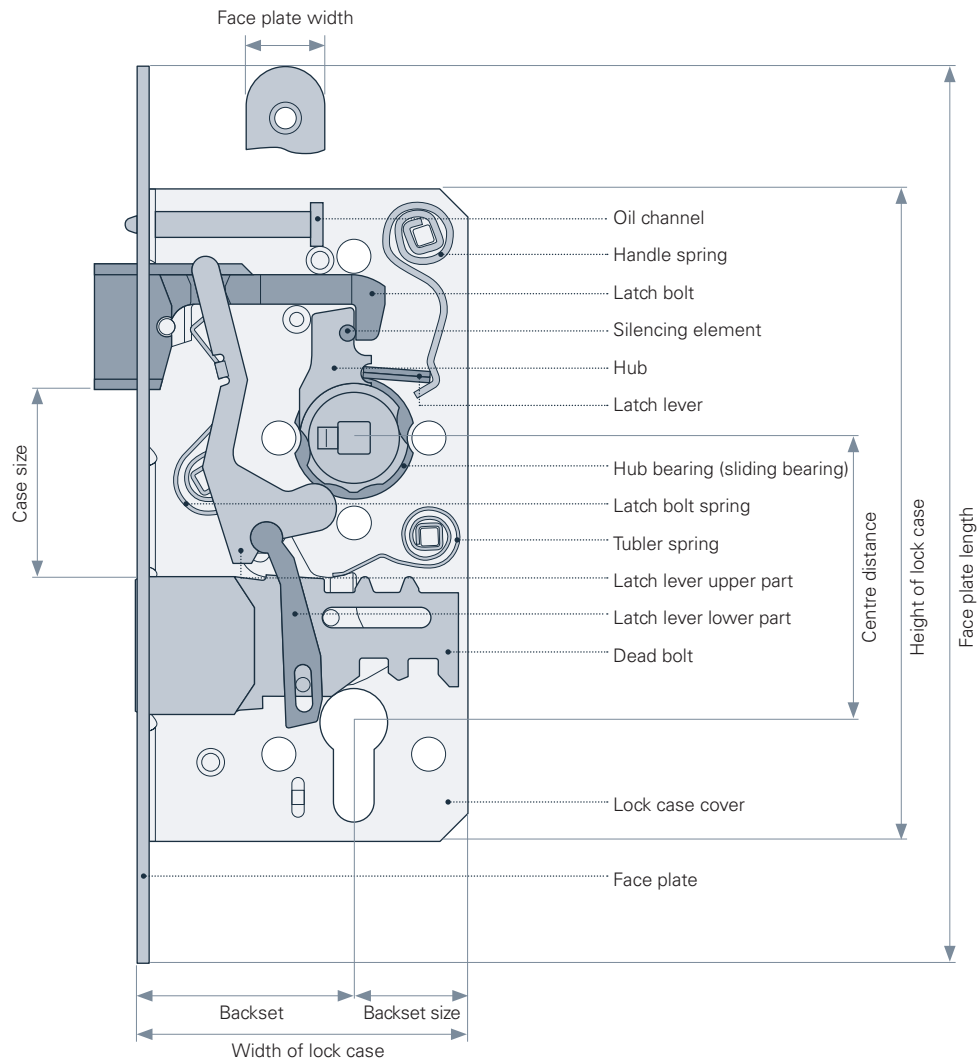
The ECO Touchbar is a Type B mechanical panic door lock in compliance with Euro standard **EN 1125**. This panic door lock unlocks reliably, even when a force is already acting on the door. Movement of the horizontally attached touch bar in the direction of escape releases the locking mechanism and lock abruptly. The release function can be activated from every point along the effective length of the touch profile. The ECO Touchbar can be bolted on or through the door and is protected against vandalism, depending on the construction and design. Available in standard or special lengths with a galvanized steel core with aluminium F1 or nylon coating or in high-grade stainless steel.

EPN 2000 II ER



Reliable and precise as clockwork

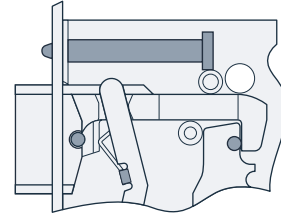
ECO Schulte can look back on many years of experience in the development and manufacture of locks. ECO Schulte locks provide the highest possible level of security and reliability in all areas and function as precisely as clockwork. Long-lasting functionality and a long service life are guaranteed by state-of-the-art manufacture using high-quality materials and construction measures. As panic locks, ECO locks correspond with horizontal panic triggering elements and conventional ECO fittings in the ideal manner. A defined trigger impulse ensures that the door springs open abruptly.



Locks of the very best

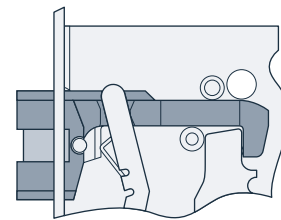
Optional silencing

ECO locks have the option of silencing by means of a sound insulating rubber element on the latch bolt. Another ECO speciality is an integrated oil channel that lubricates all of the moving parts of the lock. No additional recesses in the lock pocket are required because all DIN dimensions are complied with.



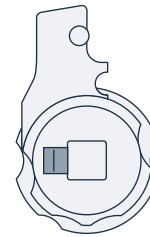
Triple latch bolt

Instead of hitting the strike plate, the ECO triple latch bolt is pressed back into the lock by a lever mechanism. An additional milling groove should be cut in the lock pocket to install the crank latch.



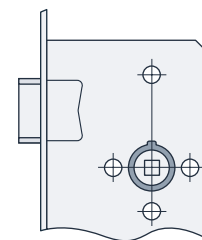
Spring hub

A spring in the handle hub jams the pinion of the handle. This results in the precise guiding of the split spindle and thereby the door handle. Tolerances are compensated. The hub is smoothly mounted in a wear-resistant plastic bearing. ECO mortise locks with sliding bearings provide the best possible ease of operation, even when used intensively.



Protection bushings

ECO offers locks with protection bushings fitted in the standard lock attachment drill holes to prevent wood or metal drill shavings from falling into the locking mechanism during assembly and impairing its functionality.



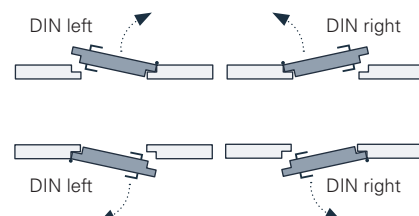
Locks and strike plates for all notch types

Mortise locks with a face plate mounted on one side and angular striking plates are required for rebated doors. A mortise lock with a centred face plate and flat striking plate is required for flush edge doors.

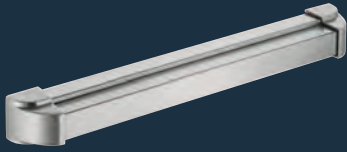


Mortise locks left/right

Mortise locks are designated in accordance with **DIN 107** from the side of the door where the hinges are visible. Hinges visible on the left side = DIN left, hinges visible on the right side = DIN right.



Panic locking systems ■ Touchbar



EPN 2000 II
Stainless steel
from page 480

Panic locking systems ■ Pushbar



EPN 500
Black / red coated
from page 484



EPN 900 IV
Stainless steel
from page 494



EPN 900 IV
Aluminium F1 coated
from page 495



EPN 900 IV
Black / red coated
from page 495



EPN 950
Stainless steel
from page 498



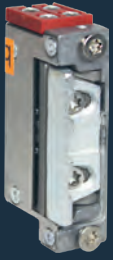
EPN 950
Aluminium F1 coated
from page 499

Panic locking systems ■ Counter-handle sets

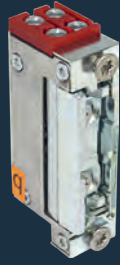
EPN 2000 II set ■ Round rose from page 502
 EPN 2000 II set ■ Oval rose from page 504
 EPN 2000 II set ■ Short plate from page 506
 EPN 2000 II set ■ Security short plate from page 508
 EPN 2000 II set ■ Security long plate from page 510
 EPN 2000 II set ■ Security profile frame from page 512

EPN 900 IV set ■ Oval rose from page 518
 EPN 900 IV set ■ Short plate from page 520
 EPN 900 IV set ■ Security short plate from page 522
 EPN 900 IV set ■ Security long plate from page 524
 EPN 900 IV set ■ Security profile frame from page 526

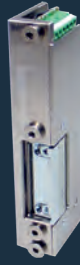
ITM ■ Intelligent door management



Standard e-strike
Page 529



Fire protection e-strike
Page 529



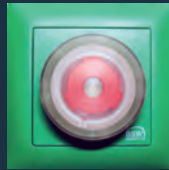
Escape route e-strike
Page 529



Escape terminal plus
Page 529



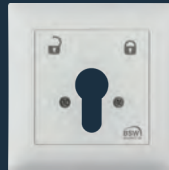
Emergency button with
pictogram
Page 530



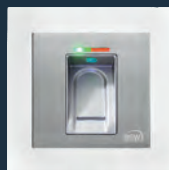
Emergency button
Page 530



Keypad
Page 531



Key switch
Page 531



Fingerprint
Page 531



Beeper and control box
Page 531

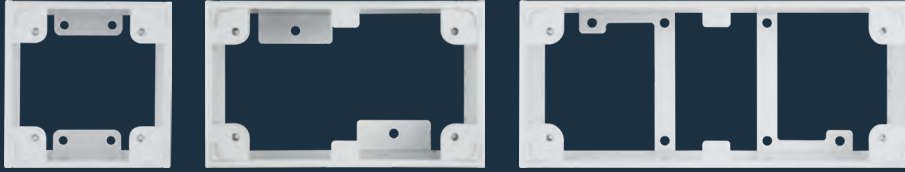


Access system plus
Page 530



TABLE OF CONTENTS

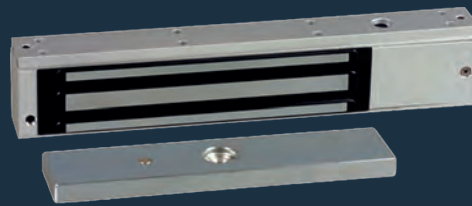
ITM ■ Intelligent door management



Cases
Page 532



Cable transition
Page 532



Surface holding magnet
Page 532



Power supply
Page 532

TABLE OF CONTENTS

Panic locks ■ For single-leaf full leaf doors



GBS 81
Page 544



GBS 82
Page 546



GBS 83
Page 548



GBS 90
Page 550



GBS 91
Page 552



GBS 198
Page 588



GBS 190
Page 586



GBS 198
Page 588

Multi-latch
locks



GBS 92
Page 554



GBS 130
Page 576



GBS 199
Page 590

Panic locks ■ for double-leaf full leaf doors



GBS 83
Page 548



GBS 84
Page 549



GBS 93
Page 556



GBS 94
Page 558



ETÖ 152 GBS 94
with e-strike
Page

Panic locks ■ for single-leaf profile frame doors



GBS 96
Page 562



GBS 96 AVP
Page 564

Panic locks ■ for double-leaf profile frame doors



GBS 97
Active leaf
Page 566



GBS 97 AVP
Page 568



GBS 98
Passive leaf
Page 570

Mortise locks ■ for full leaf doors



GBS 12
Page 536



GBS 15
Page 538



GBS 39
Swiss dimension
Page 540



GBS 108 (RI)
Page 572

Fire proof mortise locks ■ for full leaf doors



GBS 81
Page 544



GBS 94F
Page 560



GBS 109 (81C)
Page 574



GBS 140
Page 578



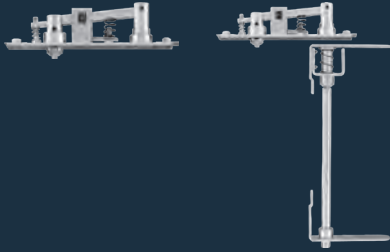
GBS 180
Page 580



GBS 187
Page 582

TABLE OF CONTENTS

Dual locking device



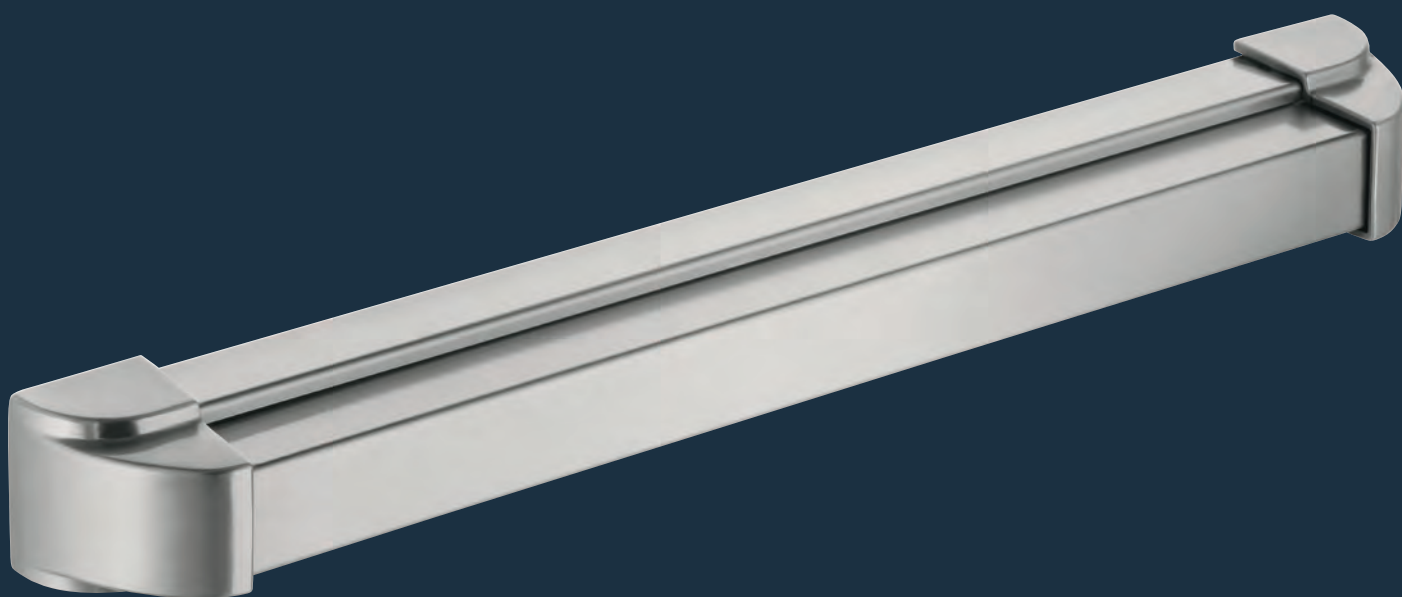
System 1
Page 592


System 2
Page 593

Accessories GBS

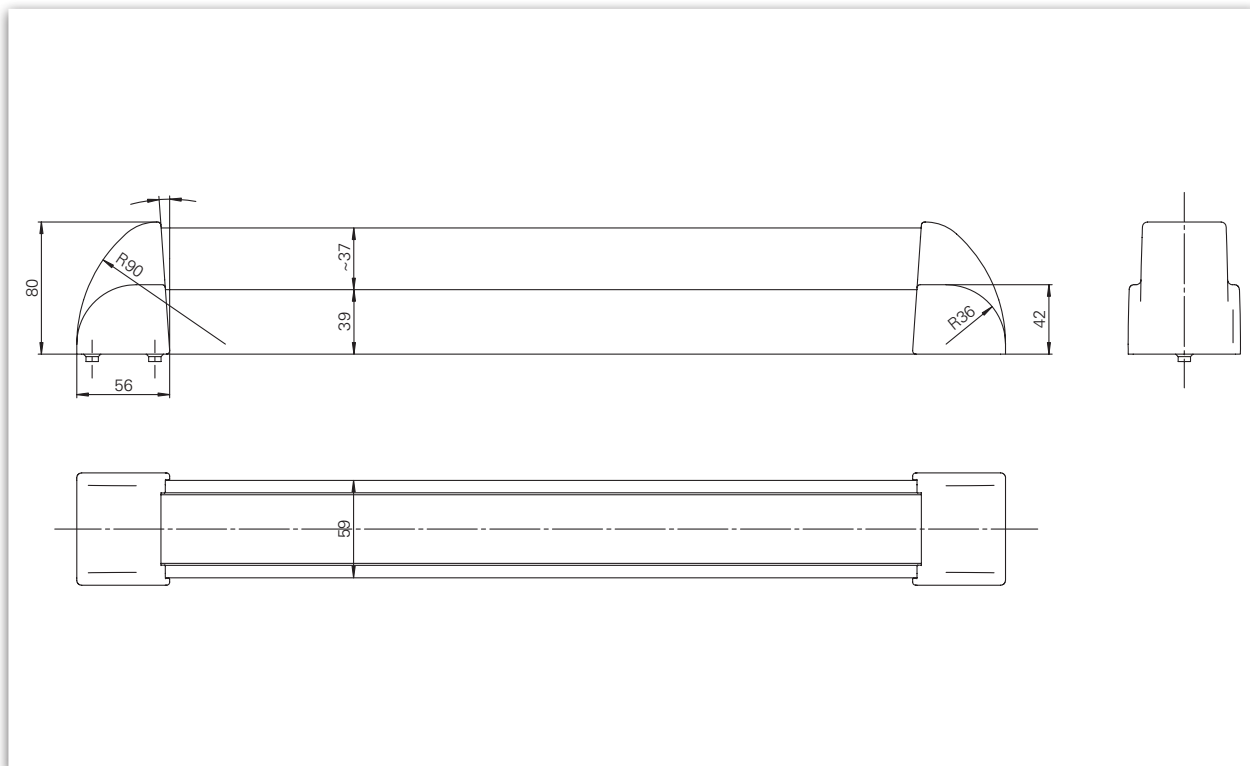
from Page 594

ECO EPN 2000 II



Product characteristics		
Mode of operation	Touchbar Pushbar	■ -
Finish	Stainless steel Aluminium F1 coated Nylon coated	■ ■ □
Fixing axis	1.000 mm* 1.250 mm*	■ ■
DIN left / right usable		■
Suitable for the use on fire and smoke control doors	F	■
Tested acc. to EN / DIN	EN 1125 	■


■ Yes - No □ Option



EPN 2000 II

Description

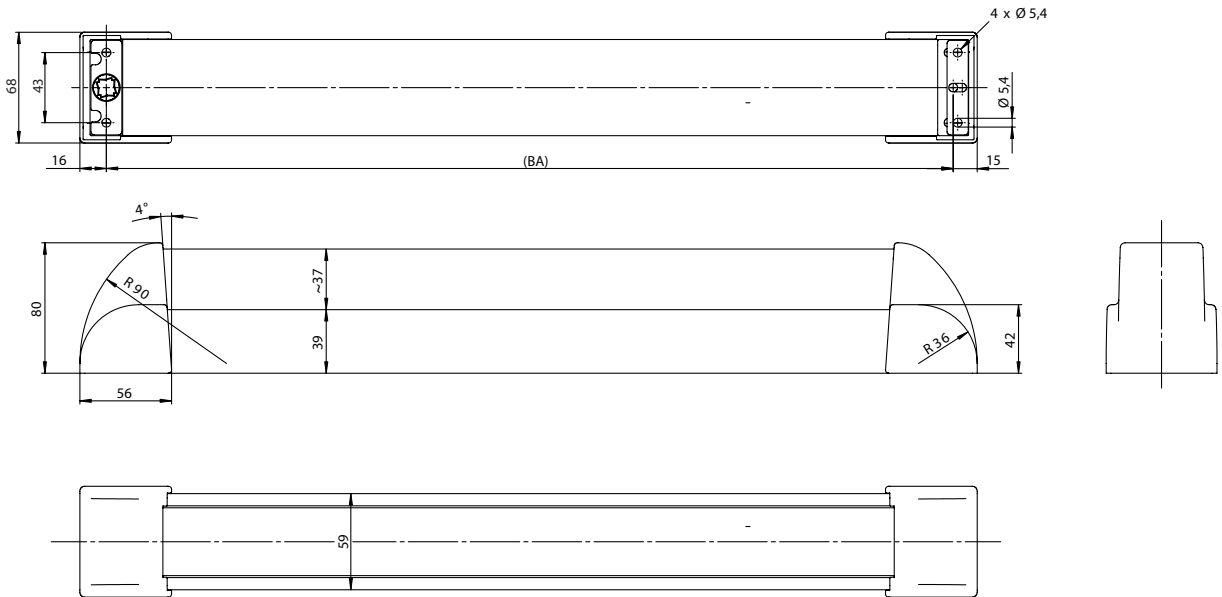
- Tested acc. to **EN 1125, EN 1634**
- Can be used according to **EN 1125** only with tested and approved lock
- Suitable for the use on fire- and smoke control doors according testing
- Screw-on version
- DIN left / right usable
- Finish:
Stainless steel
Aluminium F1 coated

 *Manufacturing of special lengths on request and against surcharge possible.

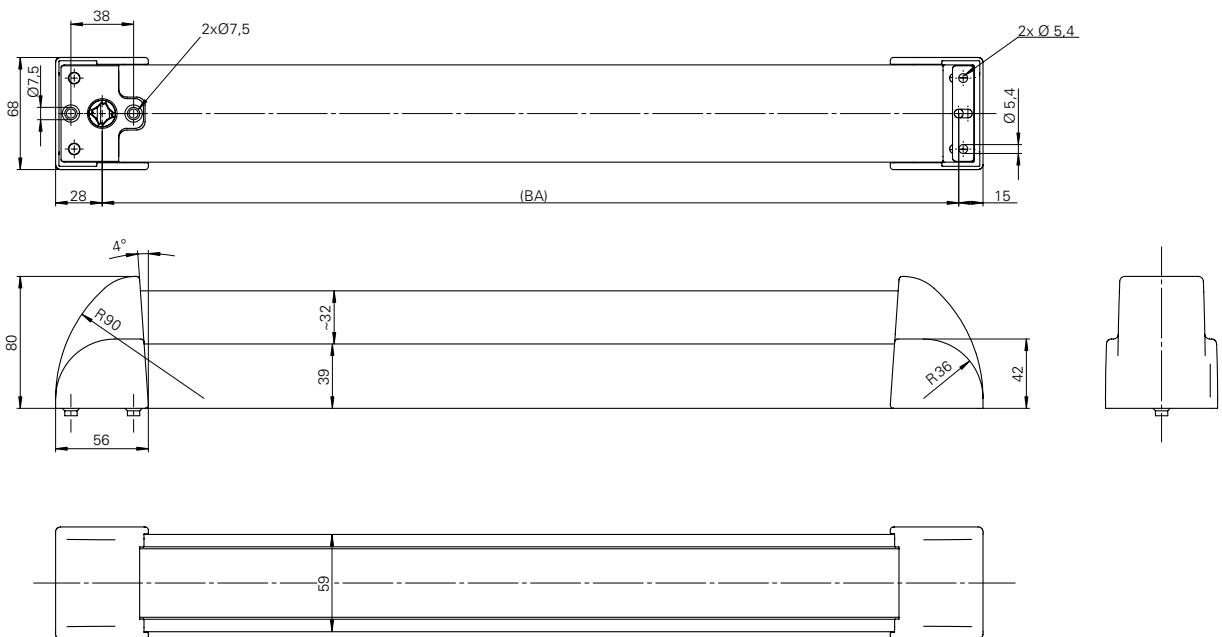
Installation situation

EPN 2000 II

EPN 2000 II for profile frame doors / screw-on version for active and passive leaf



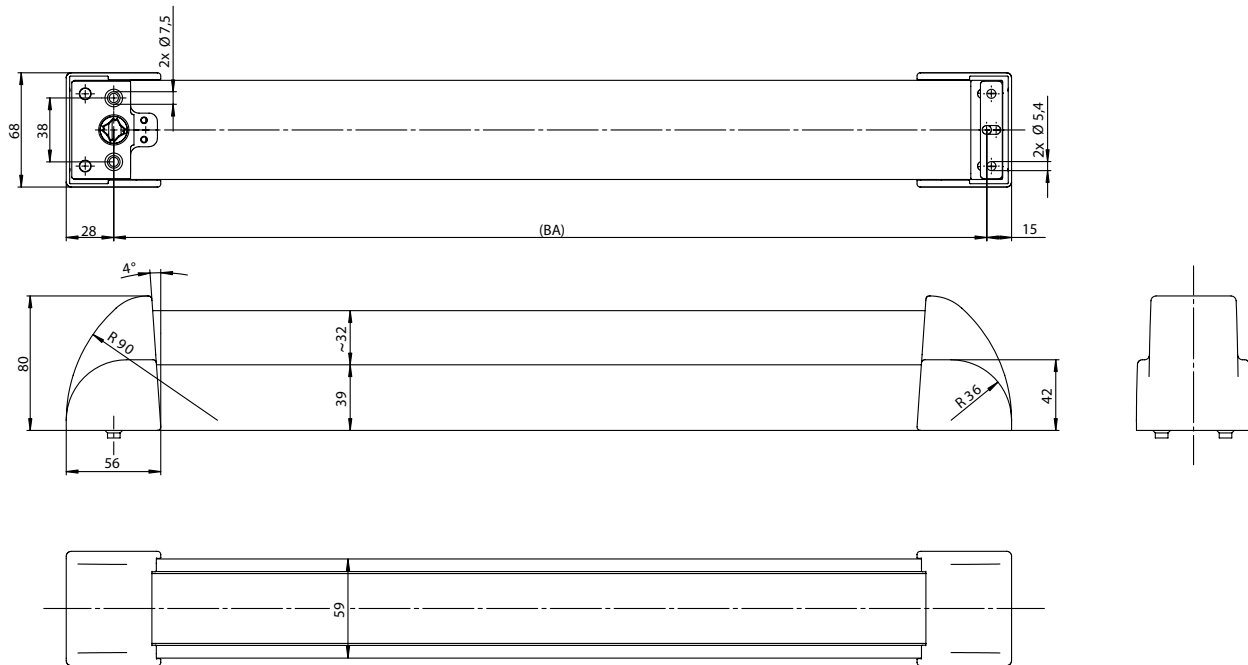
EPN 2000 II for wooden and steel doors / screw-through version for active leaf



Installation situation

EPN 2000 II

EPN 2000 II for wooden and steel doors / screw-through version for passive leaf





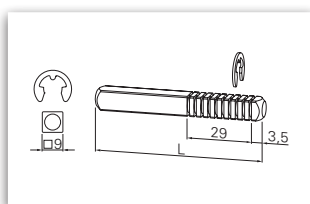
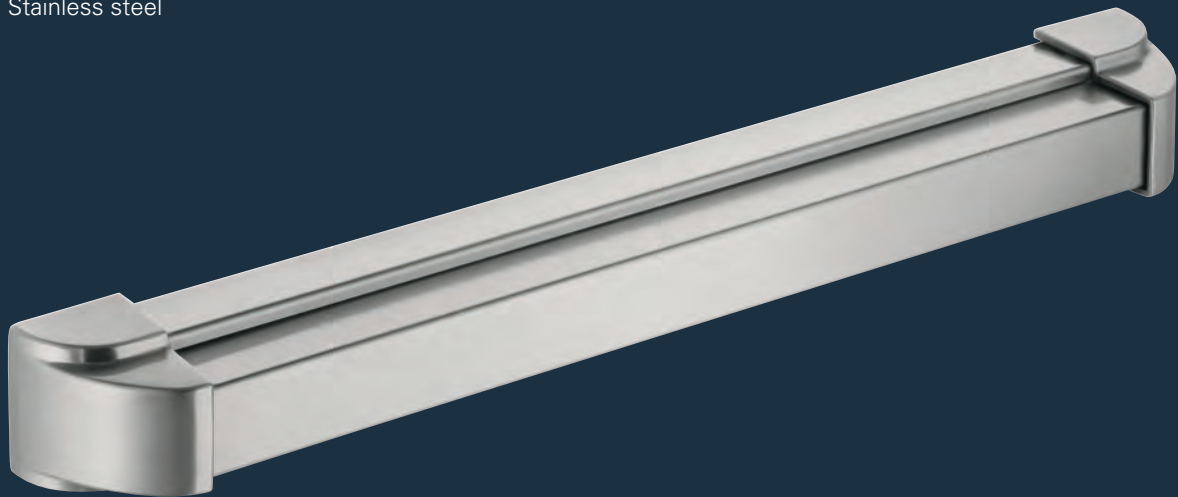
reddot design award
winner 2010

EPN 2000 II Stainless steel	Fixing axis (BA)	Rotation angle	Article number
Screw-on version	1.000 mm	30°	106706024630080
		40°	106706024640080
		45°	106706024600080
	1.250 mm	30°	106706044630080
		40°	106706044640080
		45°	106706044600080



EPN 2000 II Stainless steel	Fixing axis (BA)	Leaf	Rotation angle	Article number
Screw-through version	1.000 mm	Active leaf	45°	106706024600090
		Passive leaf		106707024600090
	1.250 mm	Active leaf		106708044600090
		Passive leaf		106707044600090

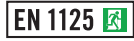
EPN 2000 II
Stainless steel



Length	Article number
55 mm	119007944300030
75 mm	119007954300030
95 mm	119007964300030

*Manufacturing of special
lengths on request and against
surcharge possible.

EPN 2000 II ▪ Touchbar



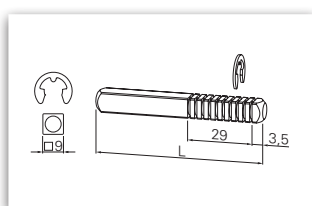
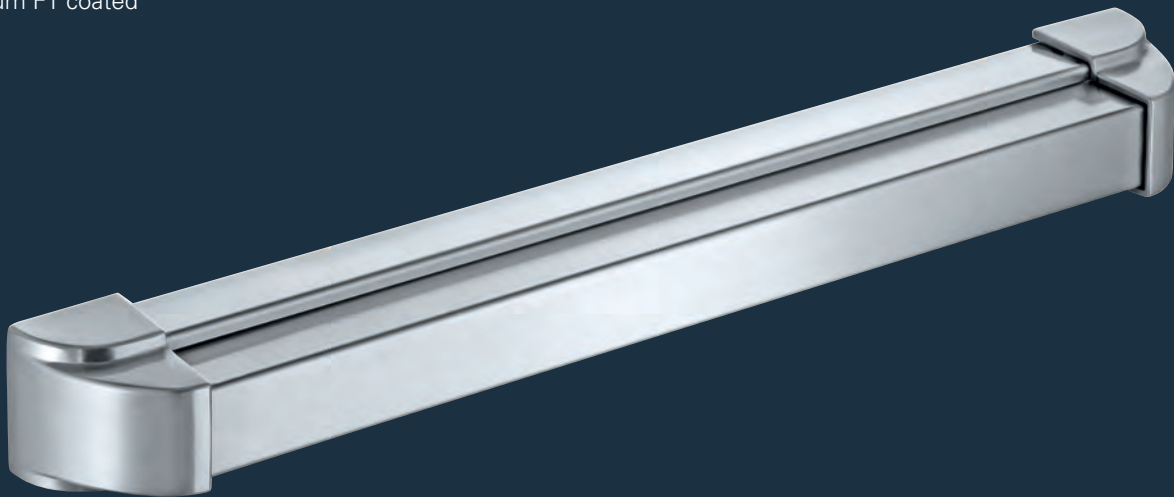
reddot design award
winner 2010



EPN 2000 II Aluminium F1 coated	Fixing axis (BA)	Rotation angle	Article number
Screw-on version	1.000 mm	30°	106706023030080
		40°	106706023040080
		45°	106706023000080
	1.250 mm	30°	106706043030080
		40°	106706043040080
		45°	106706043000080

EPN 2000 II Aluminium F1 coated	Fixing axis (BA)	Leaf	Rotation angle	Article number
Screw-through version	1.000 mm	Active leaf	45°	106706023000090
		Passive leaf		106707023000090
	1.250 mm	Active leaf		106706043000090
		Passive leaf		106707043000090

EPN 2000 II
Aluminium F1 coated




Length	Article number
55 mm	119007944300030
75 mm	119007954300030
95 mm	119007964300030



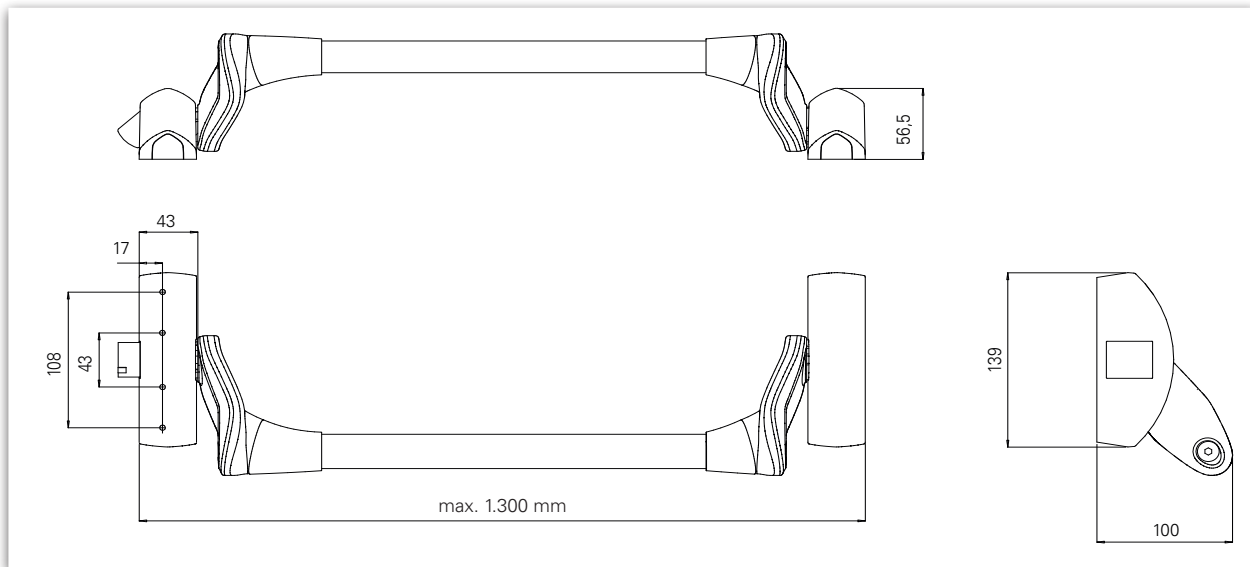
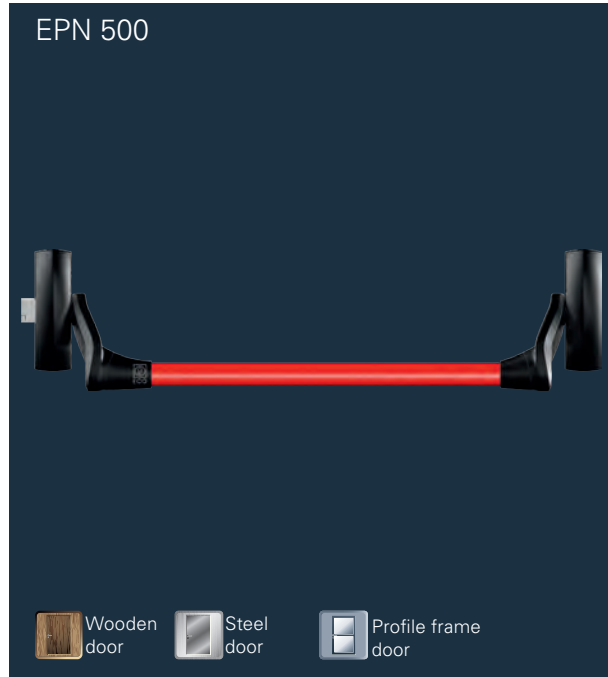


ECO EPN 500



Product characteristics		
Mode of operation	Touchbar Pushbar	- ■
Finish	Stainless steel	-
	Black / red coated	■
Grip tube	1.200 mm	■
DIN left / right usable		■
Suitable for the use on fire- and smoke control doors	F	■
Tested acc. to DIN / EN	EN 1125 	■

■ Yes - No □ Option




Dimensioning: EPN 500 (subject to change)

Description

EPN 500 / Pushbar

- Tested acc. to **EN 1125, EN 1634, EN 1191**
- Suitable for the use on fire- and smoke control doors according testing
- DIN left / right usable
- Large stable grip tube and arm
- Easy mounting
- Finish:
 - Black / red coated
- Gear unit: Steel zinc-plated

 Grip tube has to be ordered seperately.

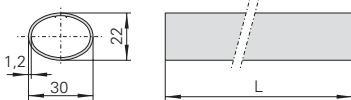


F

EN 1125 

Panic bar modular	Article number
Black	106150010200275

Grip tube 1.200 mm	Outer dimension	Article number
Red RAL 3000	1.300 mm	106150030100275
Green RAL 6001	1.300 mm	on request
PVD ER	1.300 mm	on request



Grip tube has to be ordered separately




EPN 500 - Modular

Locking bars must be ordered separately.



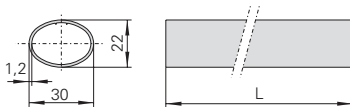
EPN 500 ▪ Pushbar




EN 1125 

Panic bar Up / Down locking	Article number
Black	106150020200275


Grip tube 1.200 mm	Outer dimension	Article number
Red RAL 3000	1.300 mm	106150030100275
Green RAL 6001	1.300 mm	on request
PVD ER	1.300 mm	on request



 Grip tube has to be ordered separately



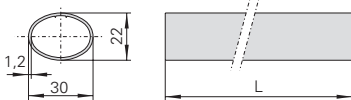
EPN 500 - Up / Down locking


 Locking bars must be ordered separately.



Panic bar 1-point locking	Article number
Black	106150000200275

Grip tube 1.200 mm	Outer dimensions	Article number
Red RAL 3000	1.300 mm	106150030100275
Green RAL 6001	1.300 mm	on request
PVD ER	1.300 mm	on request



Grip tube has to be ordered
seperately 



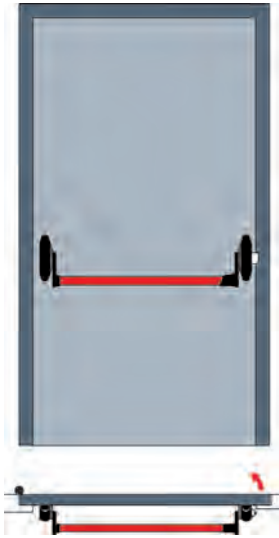
EPN 500 - 1-point locking



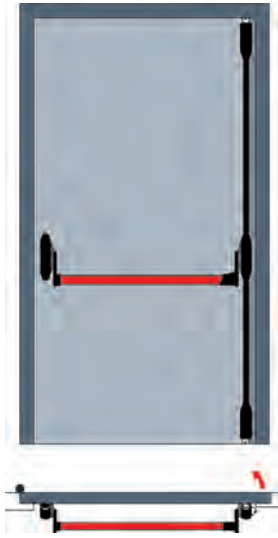
EXIT

IXE

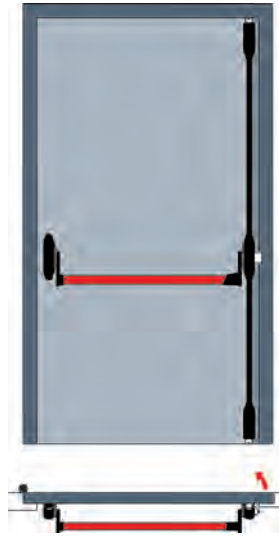
(1)- DIN right



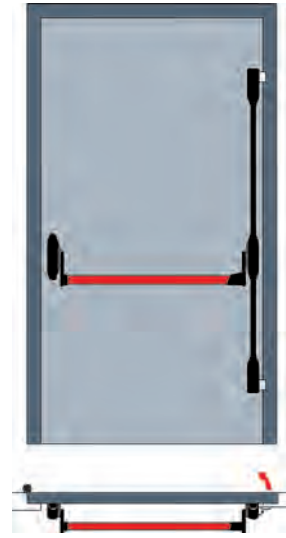
(2)- DIN right



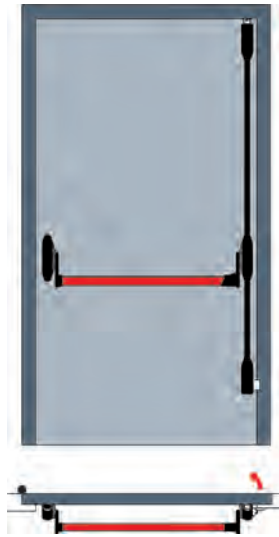
(3)- DIN right



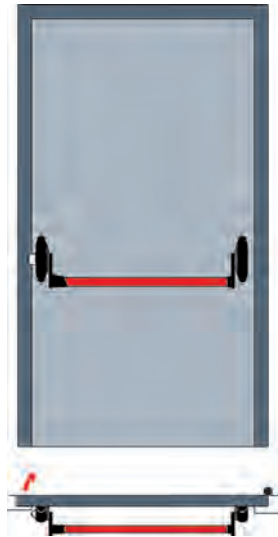
(4)- DIN right



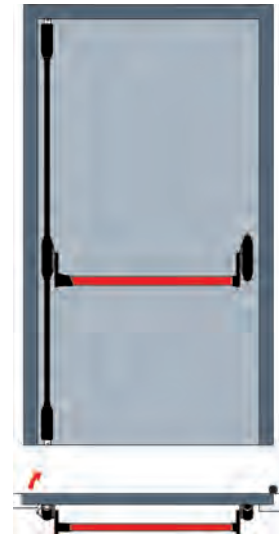
(5)- DIN right



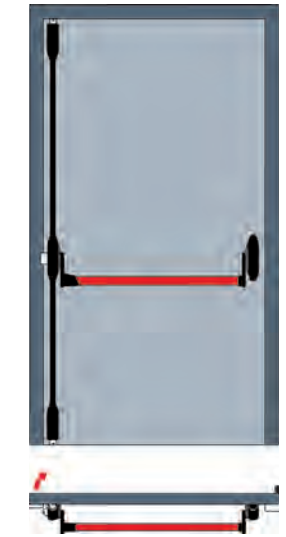
(6)- DIN left



(7)- DIN left



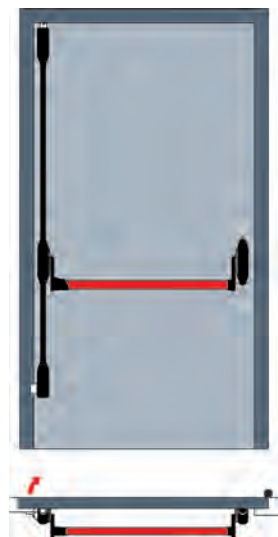
(8)- DIN left



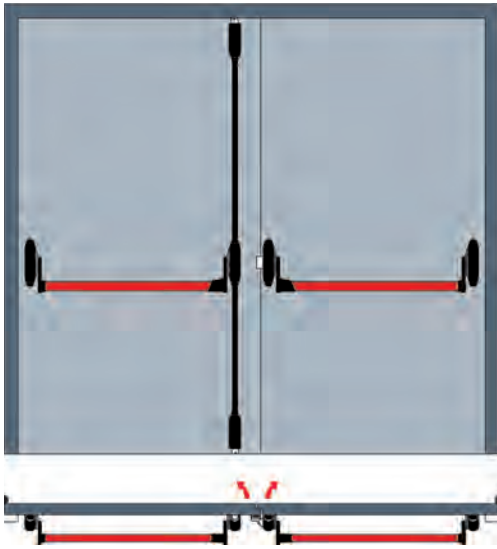
(9)- DIN left



(10)- DIN left



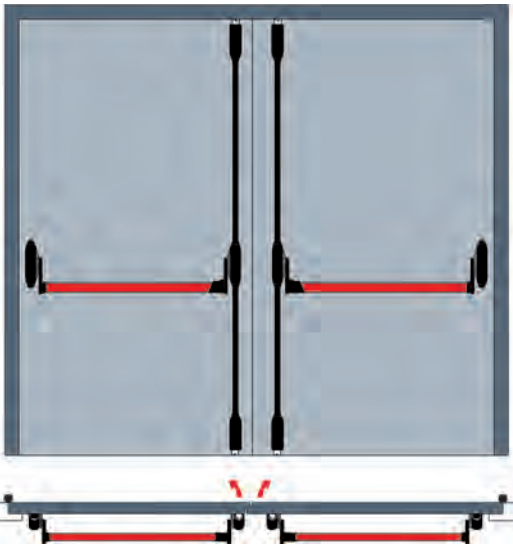
(11)- DIN right DIN left



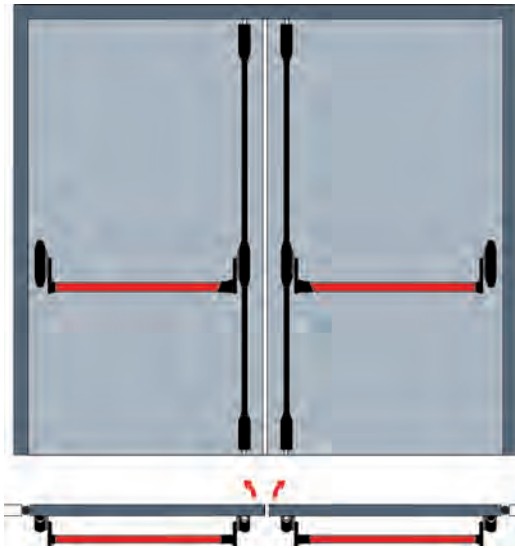
(12)- DIN right DIN left



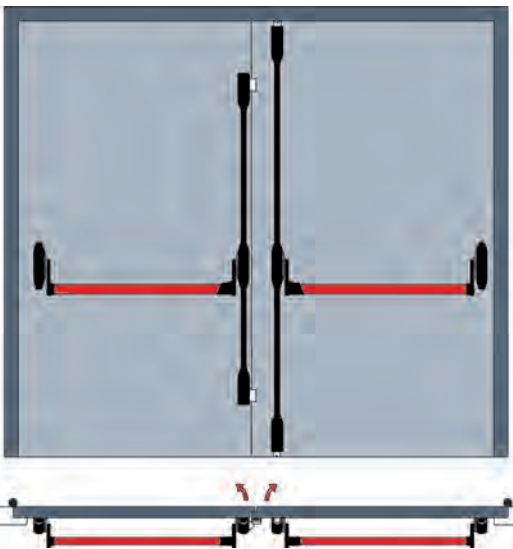
(13)- DIN right DIN left



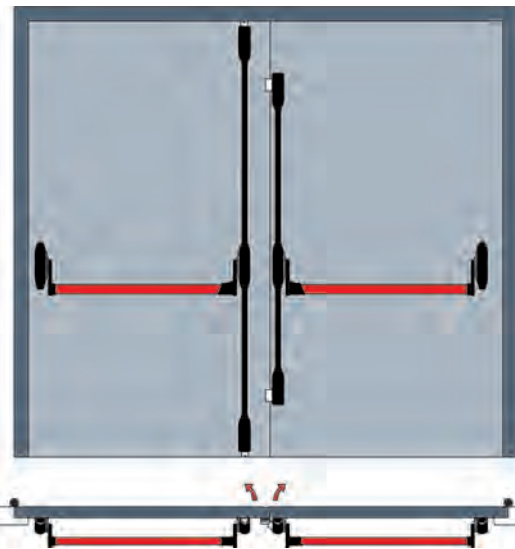
(14)- DIN right DIN left



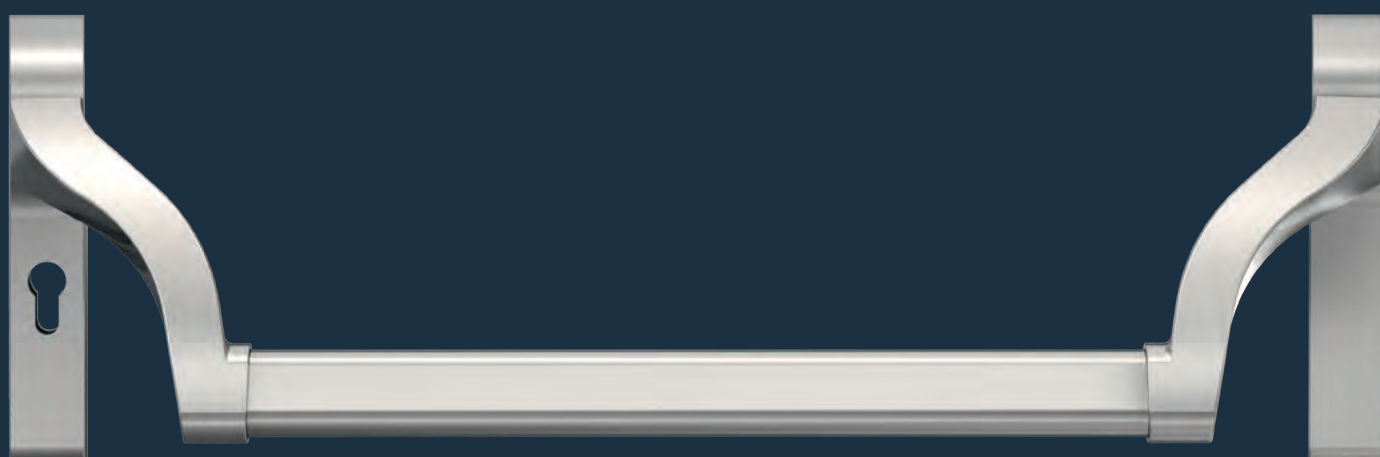
(15)- DIN right DIN left




(16)- DIN right DIN left

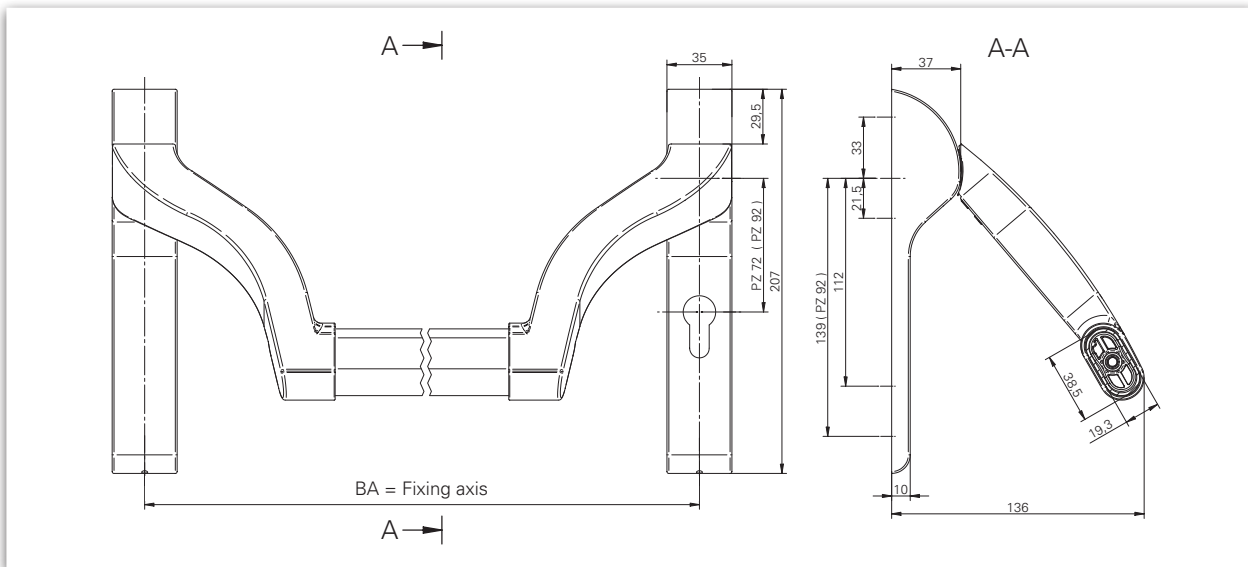


ECO EPN 900 IV



Product characteristics		
Mode of operation	Touchbar Pushbar	- ■
Finish	Stainless steel	■
	Aluminium F1 coated	■
	Colour coated	■
Grip tube	900*	■
	1.150*	■
	1.500*	□
Lock type	PZ-72	■
	PZ-92	■
	RZ-74	■
	RZ-94	■
	UG (blind)	■
DIN left / right usable		■
Suitable for the use on fire- and smoke control doors	F	■
Tested acc. to DIN / EN	EN 1125 	■

■ Yes - No □ Option



Dimensioning: EPN 900 IV (subject to change)

Description

EPN 900 IV / Pushbar

The arms are highly cranked and enable the use of electronic key cylinders.

- Tested acc. to **EN 1125, EN 1634, EN 1191**
- Can be used according to **EN 1125** only with tested and approved lock
- Suitable for the use on fire- and smoke control doors according testing
- DIN left / right usable
- Arms highly cranked, suitable in particular for electronic key cylinders and short PZ distances
- Large, stable grip tube (vandalism)
- High-strength screwing of arm and tube

- Finish:
 - Stainless steel satin brushed
 - Silver Aluminium F1 coated**
 - Black / red coated** (on basis EPN 900 IV Aluminium)
- Gear unit: Steel zinc-plated

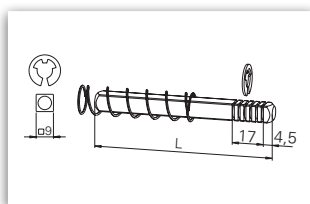
!
*Tube has to be ordered separately
** Please see our notes on page 701



EPN 900 IV Stainless steel *	Rotation angle	Article number
PZ-72	30°	1069a1304600080
	40°	1069a1404600080
	45°	1069a1454600080
PZ-92	30°	1069a2304600080
	40°	1069a2404600080
	45°	1069a2454600080
RZ-74	30°	1069a5304600080
	40°	1069a5404600080
	45°	1069a5454600080
RZ-94	30°	1069a6304600080
	40°	1069a6404600080
	45°	1069a6454600080
Ungelocht UG	30°	1069a4304600080
	40°	1069a4404600080
	45°	1069a4454600080

Grip tube ER	Fixing axis (BA) max.	Article number
900 mm	1.067 mm	109506604600070
1.150 mm	1.317 mm	109506614600070
1.500 mm	1.669 mm	109506644600070

EPN 900 IV
Stainless steel



Length	Article number
55 mm	119007914301030
75 mm	119007924301030
95 mm	119007934301030


*Grip tube has to be ordered separately
** Please see our notes on page 701

EPN 900 IV - Pushbar



AI

F

EN 1125 



Ku

F

EN 1125 

EPN 900 IV AI *	Rotation angle	Article number
PZ-72	30°	1069a1303000080
	40°	1069a1403000080
	45°	1069a1453000080
PZ-92	30°	1069a2303000080
	40°	1069a2403000080
	45°	1069a2453000080
RZ-74	30°	1069a5303000080
	40°	1069a5403000080
	45°	1069a5453000080
RZ-94	30°	1069a6303000080
	40°	1069a6403000080
	45°	1069a6453000080
UG (blind)	30°	1069a4303000080
	40°	1069a4403000080
	45°	1069a4453000080

EPN 900 IV * coloured	Rotation angle	Article number
PZ-72	30°	1069a1300200080
	40°	1069a1400200080
	45°	1069a1450200080
PZ-92	30°	1069a2300200080
	40°	1069a2400200080
	45°	1069a2450200080
RZ-74	30°	1069a5300200080
	40°	1069a5400200080
	45°	1069a5450200080
RZ-94	30°	1069a6300200080
	40°	1069a6400200080
	45°	1069a6450200080
UG (blind)	30°	1069a4300200080
	40°	1069a4400200080
	45°	1069a4450200080

Grip tube AI	Fixing axis (BA) max.	Article number
900 mm	1.067 mm	109507003000070
1.150 mm	1.317 mm	109507013000070
1.500 mm	1.669 mm	109507023000070

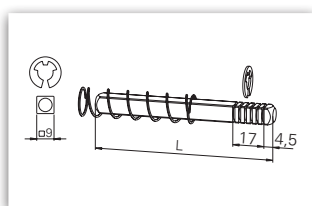
Grip tube AI red coated	Fixing axis (BA) max.	Article number
900 mm	1.067 mm	109507000100070
1.150 mm	1.317 mm	109507010100070
1.500 mm	1.669 mm	109507020100070

4

EPN 900 IV
Aluminium F1 coated **



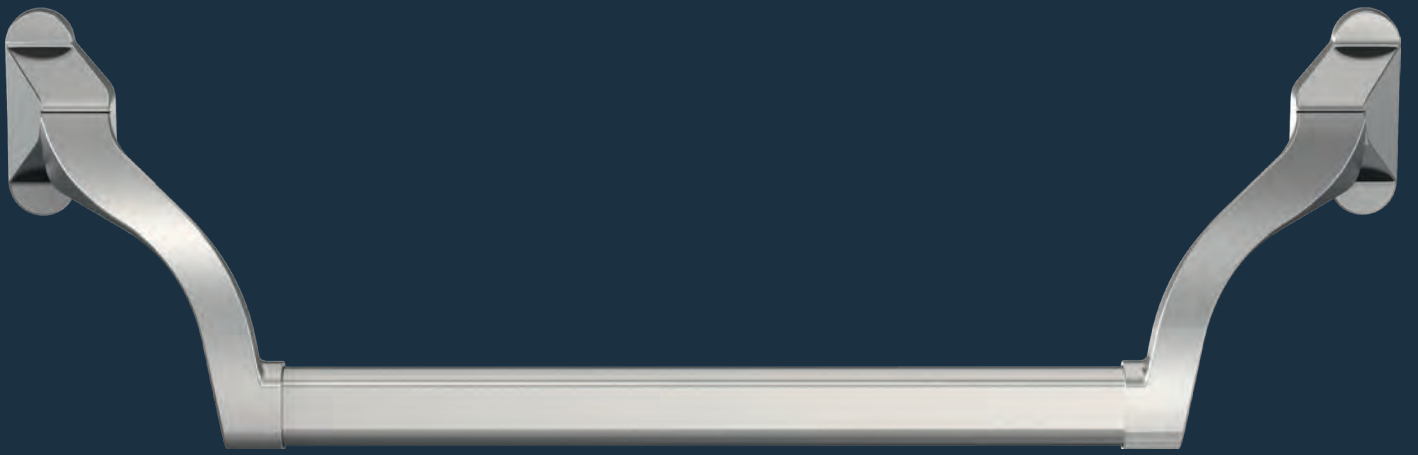
EPN 900 IV
Black / red coated **




Length	Article number
55 mm	119007914301030
75 mm	119007924301030
95 mm	119007934301030

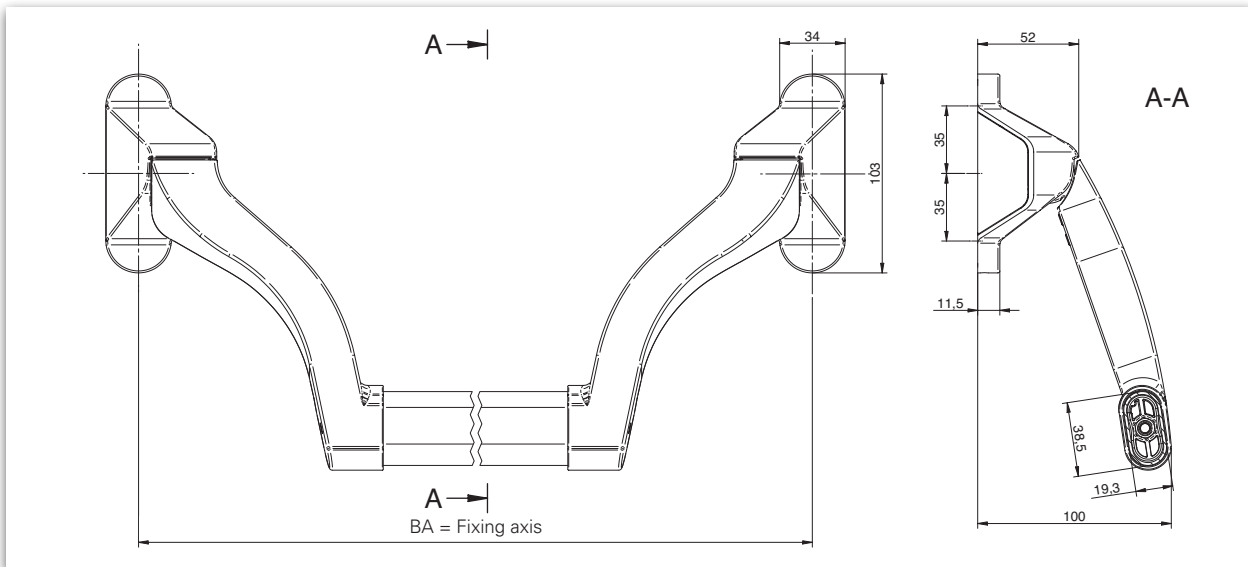
!
*Grip tube has to be ordered separately
** Please see our notes on page 701

ECO EPN 950



Product characteristics		
Mode of operation	Touchbar Pushbar	- ■
Finish	Stainless steel	■
	Aluminium F1 coated	■
Grip tube	900*	■
	1.150*	■
	1.500*	□
DIN left / right usable		■
Suitable for the use on fire- and smoke control doors	F	■
Tested acc. to DIN / EN	EN 1125 	■

■ Yes - No □ Option



Dimensioning: EPN 950 (subject to change)


Description

EPN 950 / Pushbar

The arms are highly cranked and enable the use of electronic key cylinders.

- Tested acc. to **EN 1125, EN 1634, EN 1191**
- Can be used according to **EN 1125** only with tested and approved lock
- Suitable for the use on fire- and smoke control doors according testing
- DIN left / right usable
- Arms highly cranked, suitable in particular for electronic key cylinders and short PZ distances.
- Large, stable grip tube (vandalism)
- High-strength screwing of arm and tube

- Finish:
 - Stainless steel satin brushed*
 - Silver Aluminium F1 coated**
- Gear unit: Steel zinc-plated

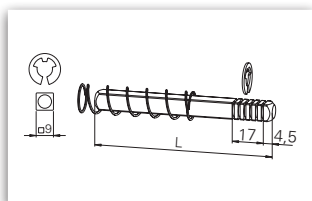
 *Grip tube has to be ordered separately
** Please see our notes on page 701



EPN 950 Stainless steel *	Rotation angle	Article number
	30°	106980304600080
	45°	106980454600080

Grip tube ER	Fixing axis (BA) max.	Article number
900 mm	1.118 mm	109507004600070
1.150 mm	1.368 mm	109507014600070
1.500 mm	1.718 mm	109507024600070

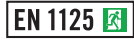
EPN 950
Stainless steel



Length	Article number
55 mm	119007914301030
75 mm	119007924301030
95 mm	119007934301030

*Grip tube has to be ordered separately
** Please see our notes on page 701

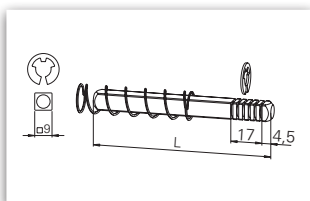
EPN 950 ▪ Pushbar



EPN 950 Aluminium F1 coated *	Rotation angle	Article number
	30°	106980303000080
	45°	106980453000080

Grip tube steel zinc-plated Aluminium F1 coated	Fixing axis (BA) max.	Article number
900 mm	1.118 mm	109507003000070
1.150 mm	1.368 mm	109507013000070
1.500 mm	1.718 mm	109507023000070

EPN 950
Aluminium F1 coated **



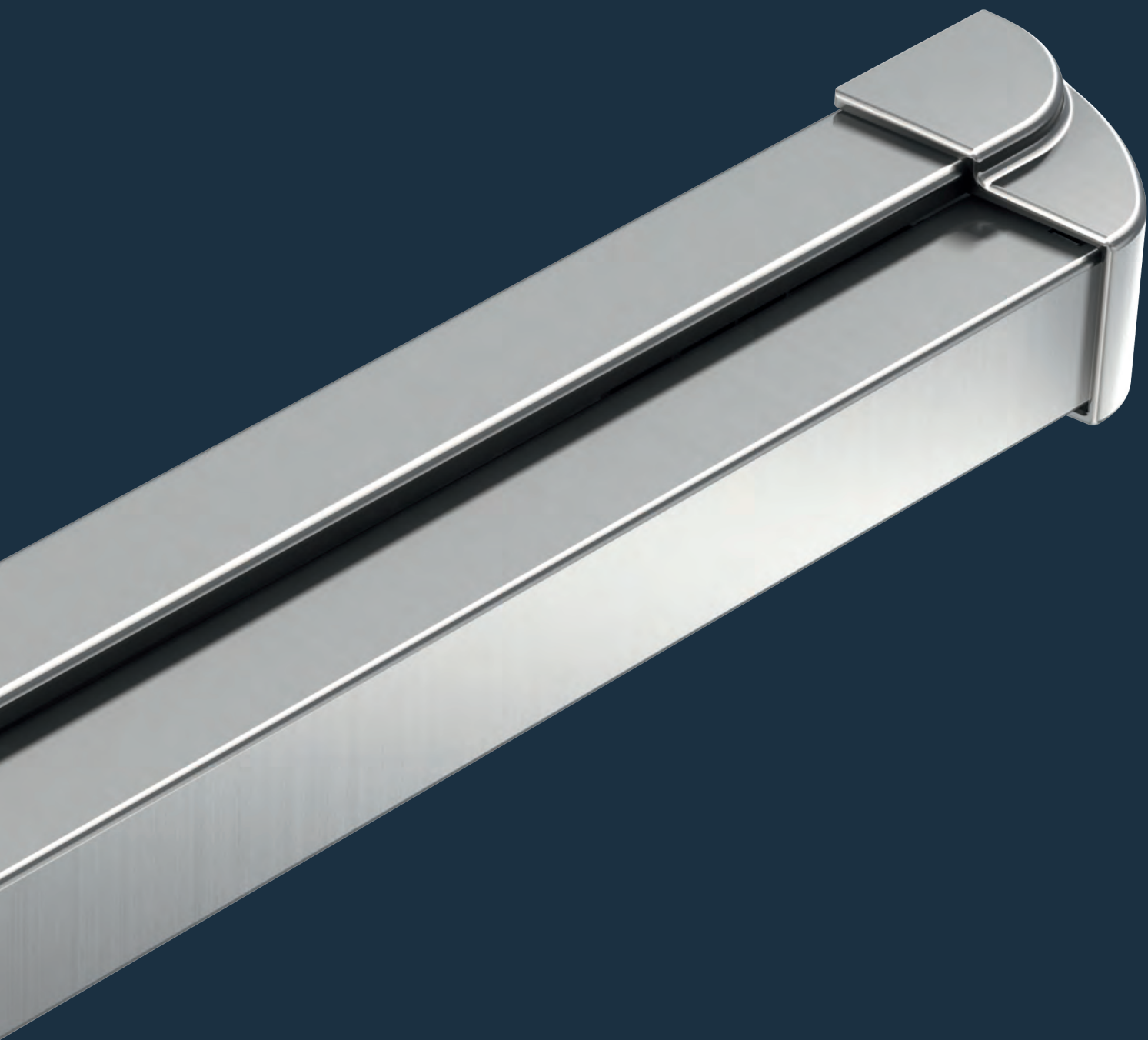
Length	Article number
55 mm	119007914301030
75 mm	119007924301030
95 mm	119007934301030

*Grip tube has to be ordered separately
** Please see our notes on page 701



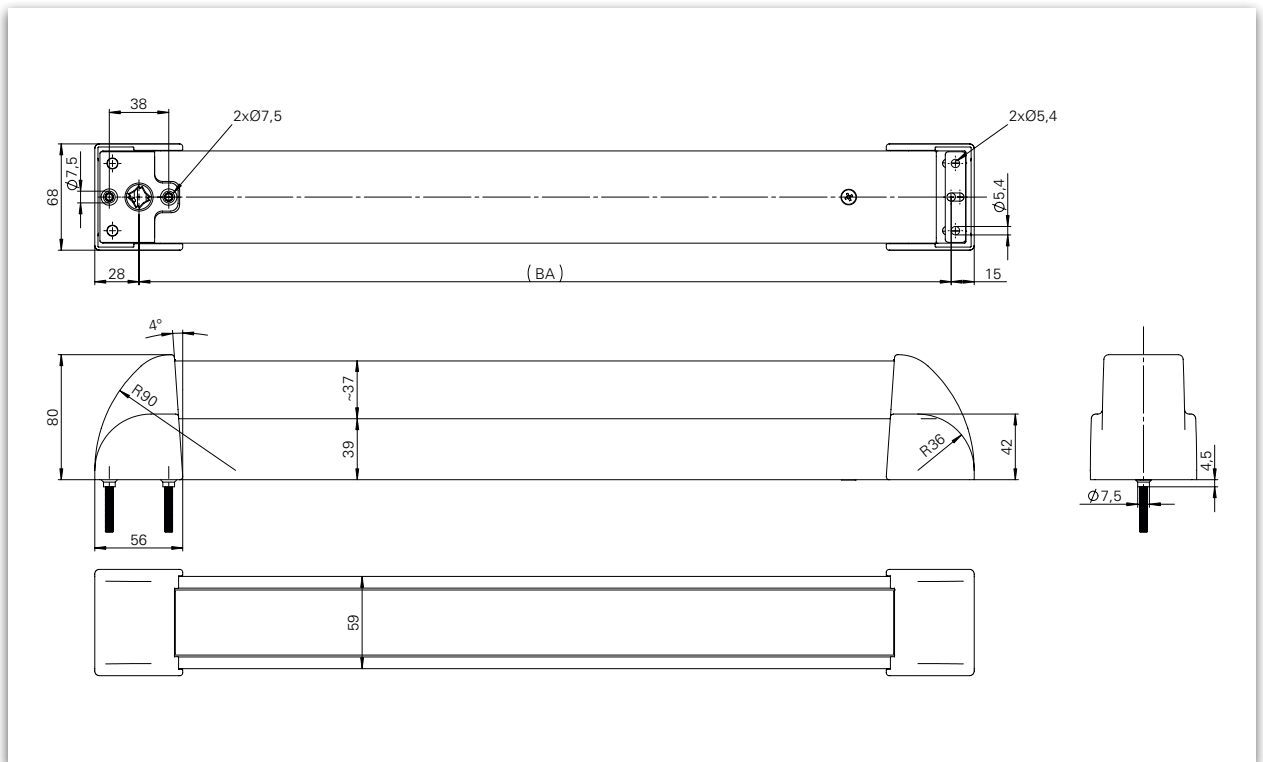
ECO EPN 2000 II - Counter handles





Product characteristics		
Mode of operation	Touchbar Pushbar	■ -
Finish	Stainless steel	■
	Aluminium F1 coated	■
Fixing axis	1.000 mm	■
	1.250 mm	■
DIN left / right usable		■
Suitable for the use on fire- and smoke control doors	F	■
Tested acc. to EN / DIN	EN 1125	■

■ Yes - No



EPN 2000 II Dimensioning: B: Screw-through version

Description

EPN 2000 II Round rose handle / Touchbar

This execution of the touch plate of the EPN 2000 II has been especially designed for the use with round rose handles as counter hardware. The norm and drillhole distances for round roses have been taken into consideration.

- Tested acc. to **EN 1125, EN 1634**
- Can be used according to **EN 1125** only in combination with tested lock and door hardware

- Suitable for the use on fire- and smoke control doors according testing
- Screw-through version
- DIN left / right usable
- Finish:
Stainless steel
Aluminium F1 (silver coated)*

Set EPN 2000 II with Round rose counter handle



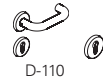

Set consists of:

- **EPN 2000 II ER** (also available in aluminium, F1 silver coated)*
- **Round rose counter handle with OGL – friction bearing technology**
Counter handle lever D-110 (PZ)
Counter handle knob K-130 (PZ)


Accessories

- Screw bag set (please mention door thickness)
- Spindle has to be ordered separately



Set EPN 2000 II Stainless steel	Fixing axis	Rotation angle	EPN 2000 II	Counter handle PZ	
				 D-110	 K-130
Screw-through version	1.000 mm	45°	106706024600090	106785004674012	106785104674012
	1.250 mm		106706044600090		

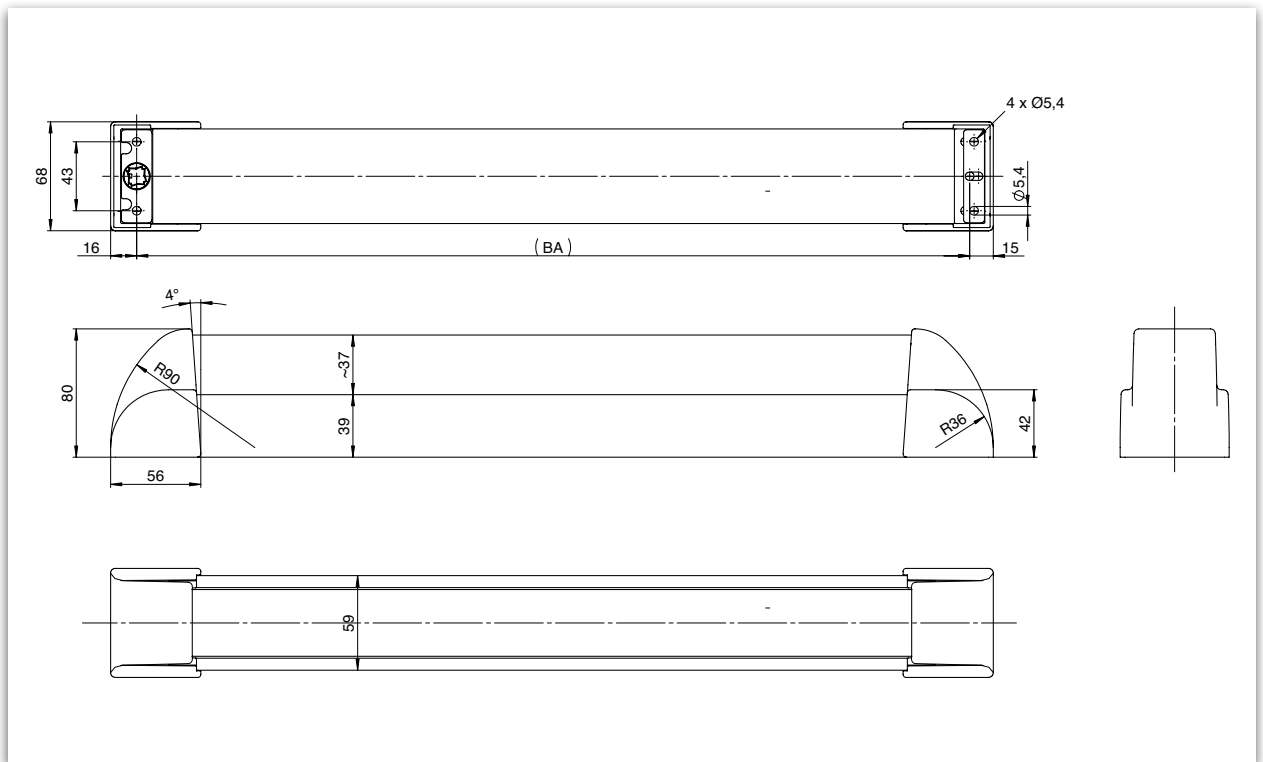
Further versions hand handle types on request.

 *Manufacturing of special lengths on request and against surcharge possible.

Please see our notes on page 701.

Product characteristics		
Mode of operation	Touchbar Pushbar	■ -
Finish	Stainless steel	■
	Aluminium F1 coated	■
Fixing axis	1.000 mm	■
	1.250 mm	■
DIN left / right usable		■
Suitable for the use on fire- and smoke control doors	F	■
Tested acc. to EN / DIN	EN 1125	■

■ Yes - No



EPN 2000 II Dimensioning: A: Screw-on version

Description

EPN 2000 II Oval rose handle / Touchbar

This execution of the touch plate of the EPN 2000 II has been especially designed for the use with oval rose handles as counter hardware. The norm and drillhole distances for oval roses have been taken into consideration.

- Tested according to **EN 1125, EN 1634**
- Can be used according to **EN 1125** only in combination with tested lock and door hardware

- Suitable for the use on fire- and smoke control doors according testing
- Screw-on version
- DIN left / right usable
- Finish:
Stainless steel
Aluminium F1 (silver coated)*

Set EPN 2000 II with Oval rose counter handle

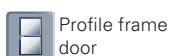


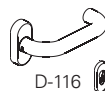

Set consists of:

- **EPN 2000 II ER** (also available in aluminium, F1 silver coated)*
- **Oval rose counter handle OGL – friction bearing technology**
Counter handle lever D-116 (PZ)
Counter handle knob K-160 (PZ)


Accessories

- Spindle has to be ordered separately



Set EPN 2000 II Stainless steel	Fixing axis	Rotation angle	EPN 2000 II	Counter handle PZ	
				D-116 	K-160 
Screw-on version	1.000 mm	30°	106706024630080	1c6864064600010	1c6860114600010
		40°	106706024640080		
		45°	106706024600080		
	1.250 mm	30°	106706044630080		
		40°	106706044640080		
		45°	106706044600080		

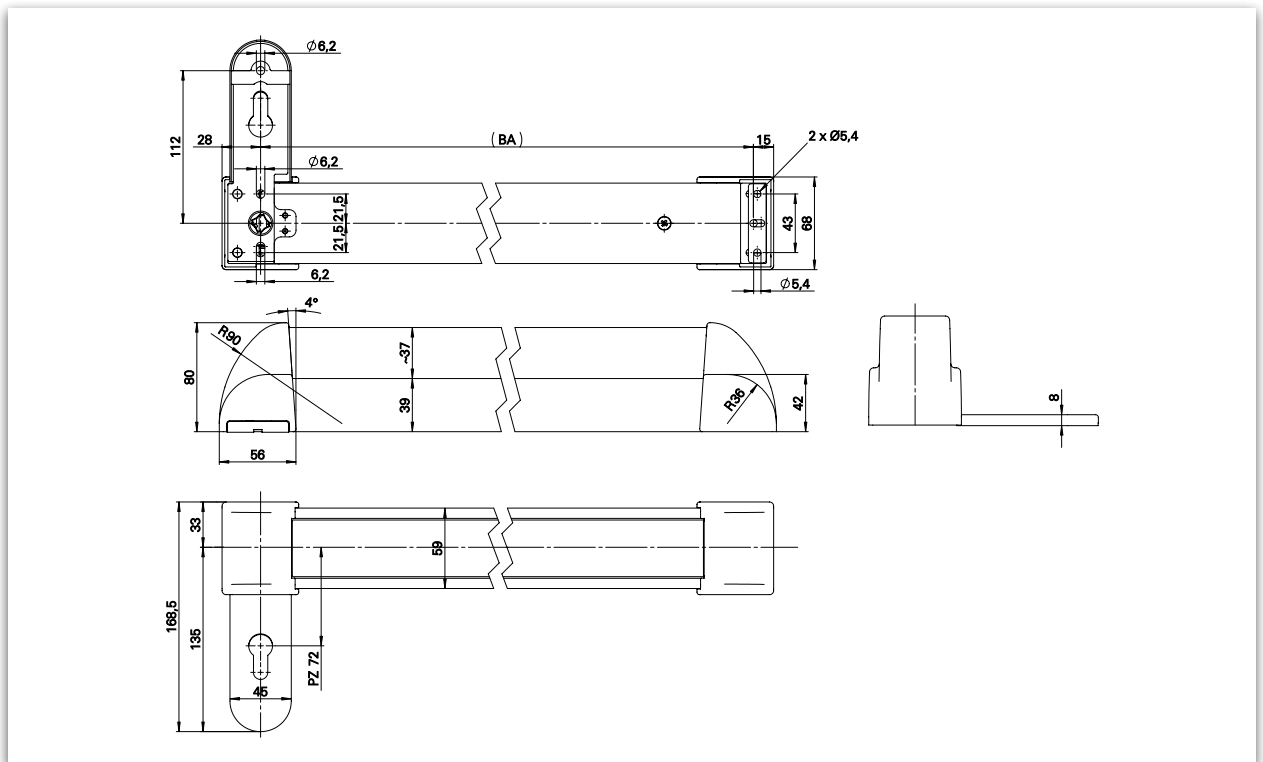
Further versions and handle types on request.

 *Manufacturing of special lengths on request and against surcharge possible.

Please see our notes on page 701.

Product characteristics		
Mode of operation	Touchbar Pushbar	■ -
Finish	Stainless steel	■
	Aluminium F1 coated	■
Fixing axis	1.000 mm	■
	1.250 mm	■
DIN left / right usable		■
Suitable for the use on fire- and smoke control doors	F	■
Tested acc. to EN / DIN	EN 1125	■

■ Yes - No



EPN 2000 II Dimensioning: B: Screw-through version

Description

EPN 2000 II Short plate handle / Touchbar

This execution of the touch plate of the EPN 2000 II has been especially designed for the use with handles on short plate as counter hardware. The norm and drillhole distances for handles on short plate have been taken into consideration.

- Tested acc. to **EN 1125, EN 1634**
- Can be used according to **EN 1125** only in combination with tested lock and door hardware

- Suitable for the use on fire- and smoke control doors according testing
- Screw-through version
- DIN left / right usable
- Finish:
Stainless steel
Aluminium F1 (silver coated)*

Set EPN 2000 II with Short plate counter handle



Set consists of:

- **EPN 2000 II ER** (also available in aluminium, F1 silver coated)*
- **Short plate counter handle with OGL – friction bearing technology**
Counter handle lever D-110 (PZ)
Counter handle knob K-130 (PZ)

Accessories



- Screw bag set (please mention door thickness)
- Spindle has to be ordered separately




Woden door



Steel-door

Set EPN 2000 II Stainless steel	Fixing axis	DIN left / right	Rotation angle	EPN 2000 II	Special handle PZ-72	
					 D-110	 K-130
Screw-through version	1.000 mm	DIN left	45°	106706024600221	106910004600902	106915004600902
		DIN right		106706024600222		
	1.250 mm	DIN left		106706044600221	106910004600902	106915004600902
		DIN right		106706044600222		

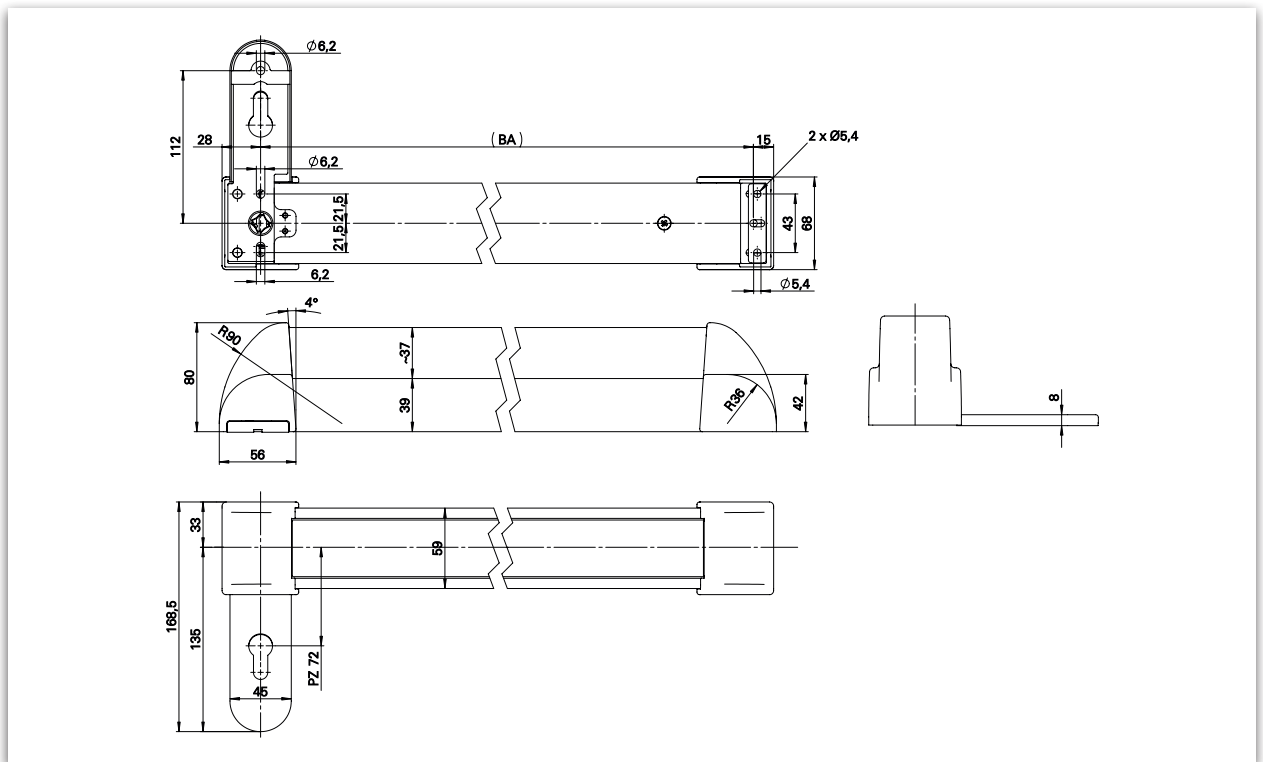
Further versions and handle types on request

 *Manufacturing of special lengths on request and against surcharge possible.

Please see our notes on page 701.

Product characteristics		
Mode of operation	Touchbar Pushbar	■ -
Finish	Stainless steel	■
	Aluminium F1 coated	■
Fixing axis	1.000 mm	■
	1.250 mm	■
DIN left / right usable		■
Suitable for the use on fire- and smoke protection doors	F	■
Tested acc. to EN / DIN	EN 1125	■

■ Yes - No



EPN 2000 II Dimensioning: B: Screw-through version

Description

EPN 2000 II Security short plate handle / Touchbar

This execution of the touch plate of the EPN 2000 II has been especially designed for the use with security handles on short plate as counter hardware. The norm and drillhole distances for security handles on short plate have been taken into consideration.

- Tested acc. to **EN 1125, EN 1634**
- Can be used according to **EN 1125** only in combination with tested lock and door hardware

- Tested acc. to **EN 1906 / DIN 18257**
- Suitable for the use on fire- and smoke control doors according testing
- Screw-through version
- DIN left / right usable
- Finish:
Stainless steel
Aluminium F1 (silver coated)*

Set EPN 2000 II with Sec. short plate counter handle





Set consists of:



- **EPN 2000 II ER** (also available in aluminium, F1 silver coated)*
- **Security short plate counter handle with OGL - friction bearing technology**
Counter handle lever D-110 (PZ or ZA)
Counter handle knob K-130 (PZ or ZA)

Accessories


- Screw bag set (please mention door thickness)
- Spindle has to be ordered separately



Set EPN 2000 II Stainless steel	Fixing axis	DIN left / right	Rotation angle	EPN 2000 II	Special handle PZ-72 / 14 mm	
					 D-110	 K-130
Screw-through version	1.000 mm	DIN left	45°	106706024600221	106940024600010	106942024600010
		DIN right		106706024600222		
	1.250 mm	DIN left		106706044600221		
		DIN right		106706044600222		

Set EPN 2000 II Stainless steel	Fixing axis	DIN left / right	Rotation angle	EPN 2000 II	Special handle ZA-72 / 14 mm	
					 D-110	 K-130
Screw-through version	1.000 mm	DIN left	45°	106706024600221	106940524600010	106942524600010
		DIN right		106706024600222		
	1.250 mm	DIN left		106706044600221		
		DIN right		106706044600222		

Further versions and handle types on request.

 *Manufacturing of special lengths on request and against surcharge possible.

Please see our notes on page 701.

Set EPN 2000 II with Sec. long plate counter handle

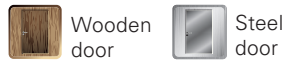




Set consists of:



- **EPN 2000 II ER** (also available in aluminium, F1 silver coated)*
- **Security long plate counter handle with OGL - friction bearing technology**
Counter handle lever D-110 (PZ or ZA)
Counter handle knob K-130 (PZ or ZA)



Accessories



- Screw bag set (please mention door thickness)
- Spindle has to be ordered separately



Set EPN 2000 II Stainless steel	Fixing axis	DIN left / right	Rotation angle	EPN 2000 II	Special handle PZ-72 / 14 mm	
					 D-110	 K-130
Screw-through version	1.000 mm	DIN left	45°	106706024601221	106940004600010	106942004600010
		DIN right		106706024601222		
	1.250 mm	DIN left		106706044601221		
		DIN right		106706044601222		


Set EPN 2000 II Stainless steel	Fixing axis	DIN left / right	Rotation angle	EPN 2000 II	Special handle ZA-72 / 14 mm	
					 D-110	 K-130
Screw-through version	1.000 mm	DIN left	45°	106706024601221	106940504600010	106942504600010
		DIN right		106706024601222		
	1.250 mm	DIN left		106706044601221		
		DIN right		106706044601222		

Set EPN 2000 II Stainless steel	Fixing axis	DIN left / right	Rotation angle	EPN 2000 II	Special handle PZ-92 / 14 mm	
					 D-110	 K-130
Screw-through version	1.000 mm	DIN left	45°	106706024602221	106940014600010	106942014600010
		DIN right		106706024602222		
	1.250 mm	DIN left		106706044602221		
		DIN right		106706044602222		

Set EPN 2000 II Stainless steel	Fixing axis	DIN left / right	Rotation angle	EPN 2000 II	Special handle ZA-92 / 14 mm	
					 D-110	 K-130
Screw-through version	1.000 mm	DIN left	45°	106706024602221	106940514600010	106942514600010
		DIN right		106706024602222		
	1.250 mm	DIN left		106706044602221		
		DIN right		106706044602222		

Further versions and handle types on request.

Please see our notes on page 701.

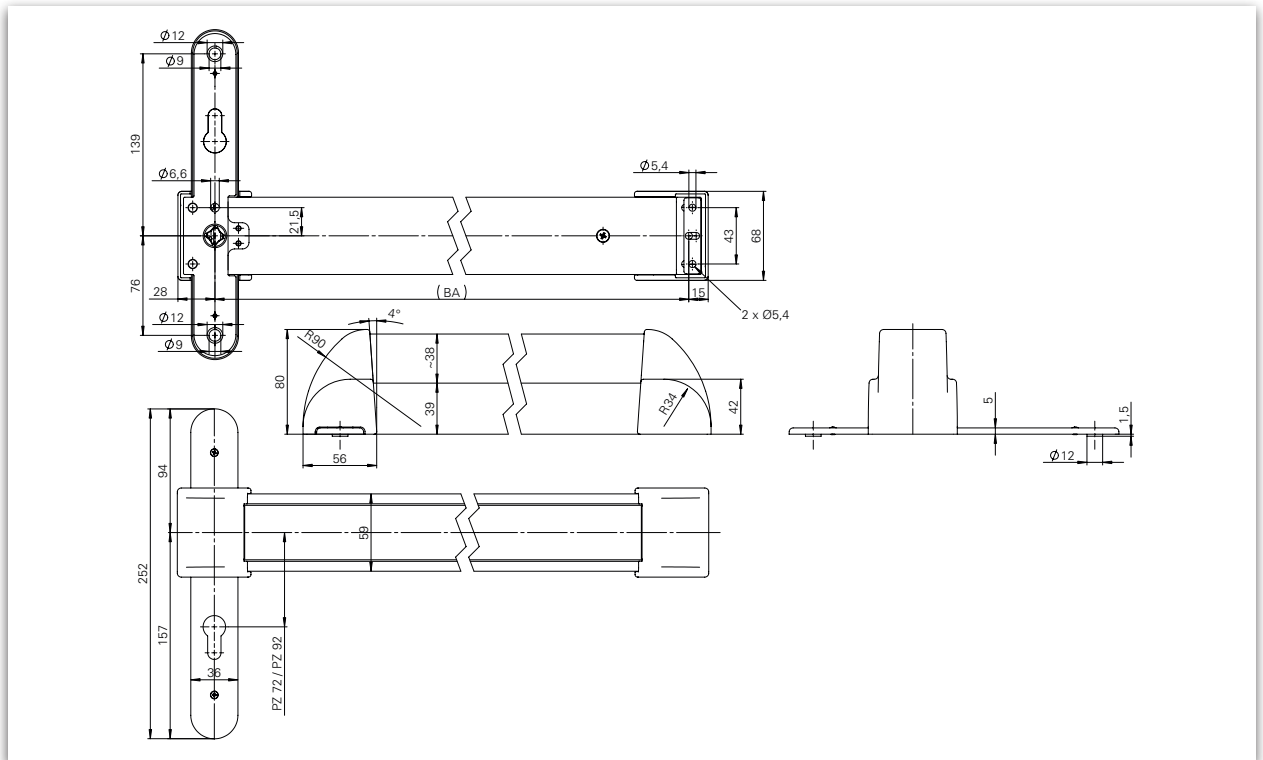
 *Manufacturing of special lengths on request and against surcharge possible.

Product characteristics		
Mode of operation	Touchbar Pushbar	■ -
Finish	Stainless steel	■
	Aluminium F1 coated	■
Fixing axis	1.000 mm	■
	1.250 mm	■
DIN left / right usable		■
Suitable for fire- and smoke protection doors	F	■
Tested acc. to EN / DIN	EN 1125	■

■ Yes - No



B



EPN 2000 II Dimensioning: B: Screw-through version

Description

EPN 2000 II Security handle profile frame / Touchbar

This execution of the touch plate of the EPN 2000 II has been especially designed for the use with security handles for profile frame doors as counter hardware. The norm and drillhole distances for security handles for profile frame doors have been taken into consideration.

- Tested acc. to **EN 1125, EN 1634**
- Can be used according to **EN 1125** only in combination with tested lock and door hardware

- Tested acc. to **EN 1906 / DIN 18257**
- Suitable for the use on fire- and smoke control doors according testing
- Screw-through version
- DIN left / right usable
- Finish:
Stainless steel
Aluminium F1 (silver coated)*

Set EPN 2000 II with Sec. profile frame counter handle

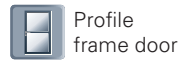




Set consists of:



- **EPN 2000 II ER** (also available in aluminium, F1 silver coated)*
- **Security profile frame counter handle with OGL - friction bearing technology**
Counter handle lever D-116 (PZ or ZA)
Counter handle knob K-160 (PZ or ZA)

Accessories

- Screw bag set (please mention door thickness)
- Spindle has to be ordered separately




Set EPN 2000 II Stainless steel	Fixing axis	DIN left / right	Rotation angle	EPN 2000 II	Special handle PZ-72 / 14 mm	
					 D-116	 K-160
Screw-through version	1.000 mm	DIN left	30°	106706024631221	106941004600010	106943004600010
		DIN right		106706024631222		
		DIN left	40°	106706024641221		
		DIN right		106706024641222		
		DIN left	45°	106706024601221		
		DIN right		106706024601222		
	1.250 mm	DIN left	30°	106706044631221		
		DIN right		106706044631222		
		DIN left	40°	106706044641221		
		DIN right		106706044641222		
		DIN left	45°	106706044601221		
		DIN right		106706044601222		



Set EPN 2000 II Stainless steel	Fixing axis	DIN left / right	Rotation angle	EPN 2000 II	Special handle ZA-72 / 14 mm	
					 D-116	 K-160
Screw-through version	1.000 mm	DIN left	30°	106706024631221	106941504600010	106943504600010
		DIN right		106706024631222		
		DIN left	40°	106706024641221		
		DIN right		106706024641222		
		DIN left	45°	106706024601221		
		DIN right		106706024601222		
	1.250 mm	DIN left	30°	106706044631221		
		DIN right		106706044631222		
		DIN left	40°	106706044641221		
		DIN right		106706044641222		
		DIN left	45°	106706044601221		
		DIN right		106706044601222		



Further versions and handle types on request.

Please see our notes on page 701.




*Manufacturing of special lengths on request and against surcharge possible.

Set EPN 2000 II Stainless steel	Fixing axis	DIN left / right	Rotation angle	EPN 2000 II	Special handle PZ-92 / 14 mm	
					 D-116	 K-160
Screw-through version	1.000 mm	DIN left	30°	106706024632221	106941014600010	106943014600010
		DIN right		106706024632222		
		DIN left	40°	106706024642221		
		DIN right		106706024642222		
		DIN left	45°	106706024602221		
		DIN right		106706024602222		
	1.250 mm	DIN left	30°	106706044632221		
		DIN right		106706044632222		
		DIN left	40°	106706044642221		
		DIN right		106706044642222		
		DIN left	45°	106706044602221		
		DIN right		106706044602222		

Set EPN 2000 II Stainless steel	Fixing axis	DIN left / right	Rotation angle	EPN 2000 II	Special handle ZA-92 / 14 mm	
					 D-116	 K-160
Screw-through version	1.000 mm	DIN left	30°	106706024632221	106941514600010	106943514600010
		DIN right		106706024632222		
		DIN left	40°	106706024642221		
		DIN right		106706024642222		
		DIN left	45°	106706024602221		
		DIN right		106706024602222		
	1.250 mm	DIN left	30°	106706044632221		
		DIN right		106706044632222		
		DIN left	40°	106706044642221		
		DIN right		106706044642222		
		DIN left	45°	106706044602221		
		DIN right		106706044602222		

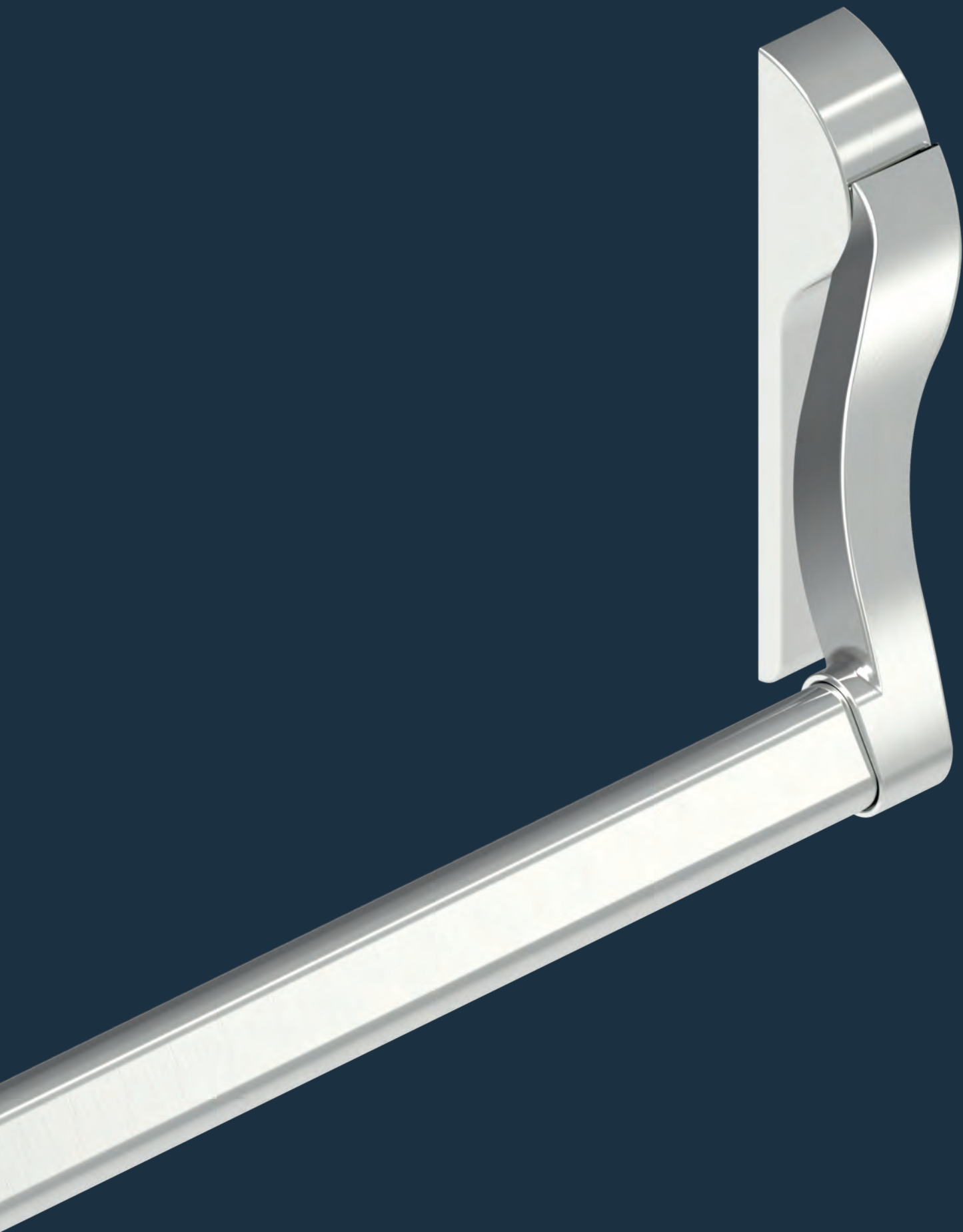
Further versions and handle types on request.

Please see our notes on page 701.

 *Manufacturing of special lengths on request and against surcharge possible.

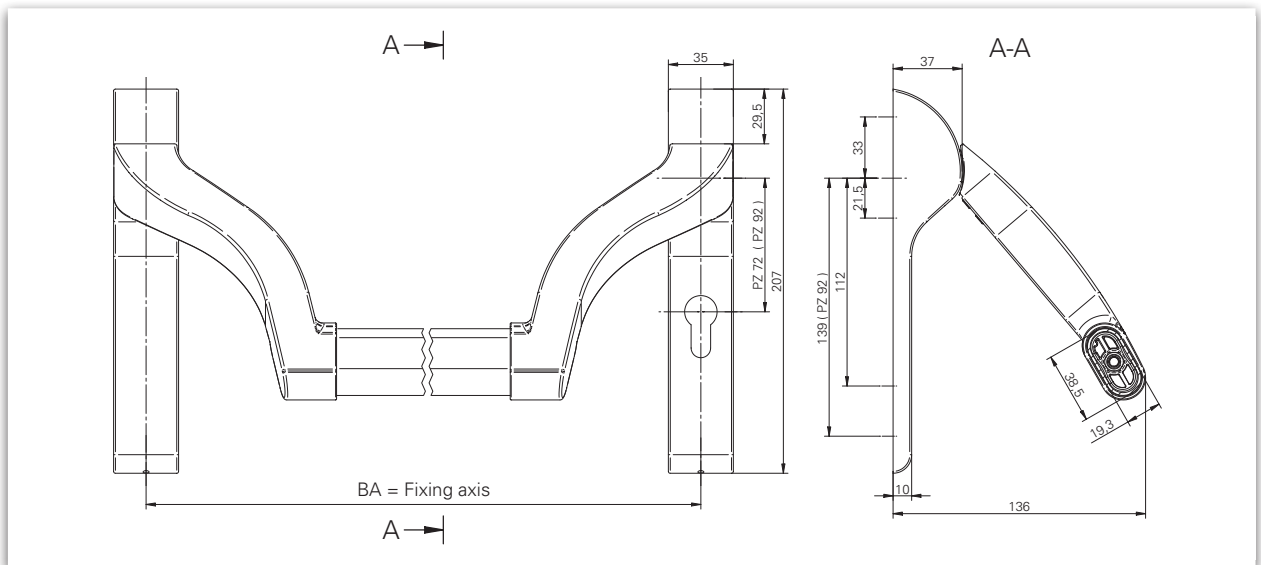
ECO EPN 900 IV - Counter handles





Product characteristics		
Mode of operation	Touchbar	-
	Pushbar	■
Finish	Stainless steel	■
	Aluminium F1 coated	■
	Colour coated	■
Grip tube	900*	■
	1.150*	■
	1.500*	□
Lock type	PZ-72	■
	PZ-92	■
	RZ-74	■
	RZ-94	■
	UG (blind)	■
DIN left / right usable		■
Suitable for the use on fire- and smoke control doors	F	■
Tested acc. to DIN / EN	EN 1125	■

■ Yes - No □ Option



Dimensioning: EPN 900 IV with oval rose counter handle

Description

EPN 900 IV Oval rose handle / Pushbar

The arms are highly cranked and enable the use of electronic key cylinders.

This execution of tube for EPN 900 IV has especially been designed for the use with oval roses as counter hardware. The norm and drillhole distances for oval roses have been taken into consideration.

- Tested acc. to **EN 1125, EN 1634, EN 1191**
- Can be used according to **EN 1125** only in combination with tested lock and door hardware
- Arms highly cranked, suitable in particular for electronic key cylinders and short PZ distances.
- Large, stable grip tube (vandalism)

- High-strength screwing of arm and tube
- Finish:
 - Stainless steel satin brushed
 - Silver (F1)* coated (on basis of EPN 900 IV Stainless steel)
- Gear unit: steel zinc-plated

Set EPN 900 IV with Oval rose counter handle

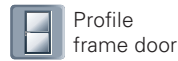


Set consists of:

- **EPN 900 IV ER** (also available in aluminium, F1 silver coated)*
- **Oval rose counter handle with OGL – friction bearing technology**
 Counter handle lever D-116 (PZ)
 Counter handle knob K-160 (PZ)

Accessories

- Grip tube (see length-chart)
- Spindle has to be ordered separately



Set EPN 900 IV Stainless steel	Turning angle	EPN 900 IV	Counter handle PZ	
			D-116	K-160
PZ-72	30°	1069a1304600080	1c6864054600010	1c6860104600010
	40°	1069a1404600080		
	45°	1069a1454600080		
PZ-92	30°	1069a2304600080		
	40°	1069a2404600080		
	45°	1069a2454600080		

Further versions and handle types on request.


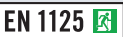
Accessories



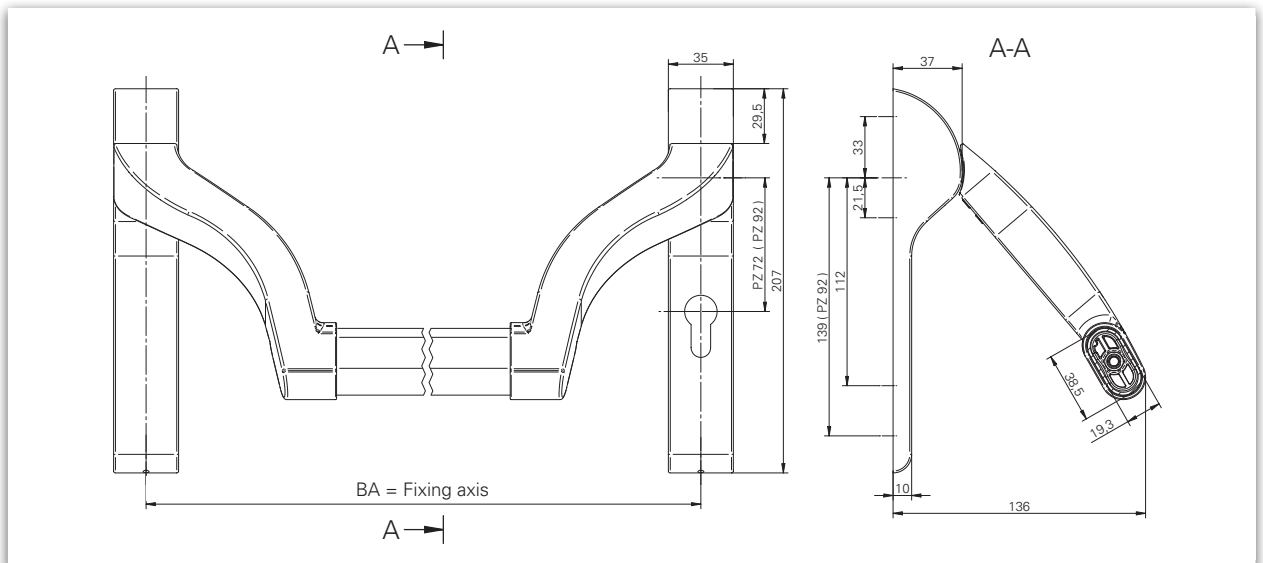
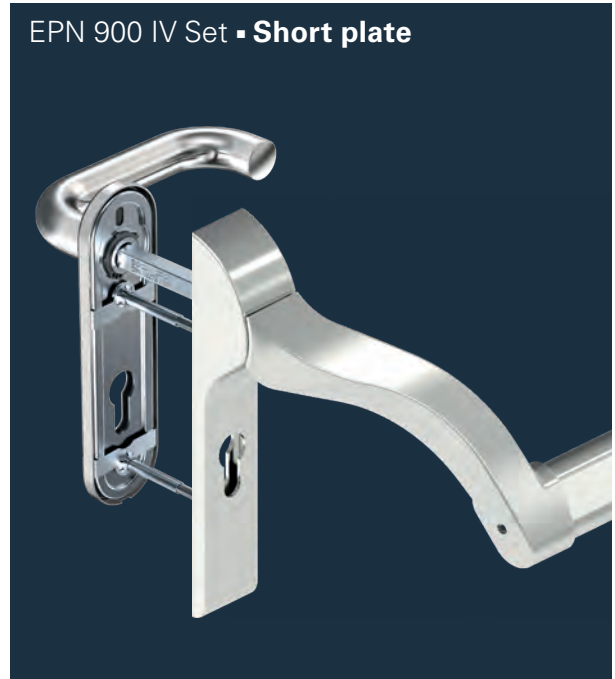
Gript tube ER	Fixing axis (BA) max.	Article number
900 mm	1.067 mm	109506604600070
1.150 mm	1.317 mm	109506614600070
1.500 mm	1.669 mm	109506644600070

The grip tube has to be ordered separately!

Please see our notes on page 701.

Product characteristics		
Mode of operation	Touchbar	-
	Pushbar	■
Finish	Stainless steel	■
	Alu. F1 coated	■
	Colour coated	■
Grip tube	900*	■
	1.150*	■
	1.500*	□
Lock type	PZ-72	■
	PZ-92	■
	RZ-74	■
	RZ-94	■
	UG (blind)	■
DIN left / right usable		■
Suitable for the use on fire- and smoke control doors		■
Tested acc. to DIN / EN		■

■ Yes - No □ Option



Dimensioning: EPN 900 IV with short plate counter handle

Description

EPN 900 IV Short plate handle / Pushbar

The arms are highly cranked and enable the use of electronic key cylinders.

This execution of tube for EPN 900 IV has especially been designed for the use with short plate handles as counter hardware. The norm and drillhole distances for short plate handles as counter hardware have been taken into consideration.

- Tested acc. to **EN 1125, EN 1634, EN 1191**
- Can be used according to **EN 1125** only in combination with tested lock and door hardware
- Suitable for the use on fire- and smoke control doors according testing
- DIN left / right usable
- Arms highly cranked, suitable in particular for electronic key cylinders and short PZ distances.
- Large, stable grip tube (vandalism)
- High-strength screwing of arm and tube
- Finish:
 - Stainless steel satin brushed
 - Silver (F1)* coated (on basis of EPN 900 IV Stainless steel)
 - Steel zinc-plated and silver (F1)* coated
- Gear unit: steel zinc-plated

Set EPN 900 IV with Short plate counter handle





Set consists of:

- **EPN 900 IV ER** (also available in aluminium, F1 silver coated)*
- **Short plate counter handle with OGL – friction bearing technology**
Counter handle lever D-110 (PZ)
Counter handle knob K-130 (PZ)

Accessories

- Screw bag set (please mention door thickness)
- Grip tube (see length-chart)
- Spindle has to be ordered separately



Set EPN 900 IV Stainless steel	Turning angle	EPN 900 IV	Counter handle PZ-72	
			 D-110	 K-130
PZ-72	45°	1069a1454600080	106910004600902	106915004600902

Further versions and handle types on request.

Accessories


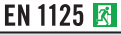


Grip tube ER	Fixing axis (BA) max.	Article number
900 mm	1.067 mm	109506604600070
1.150 mm	1.317 mm	109506614600070
1.500 mm	1.669 mm	109506644600070

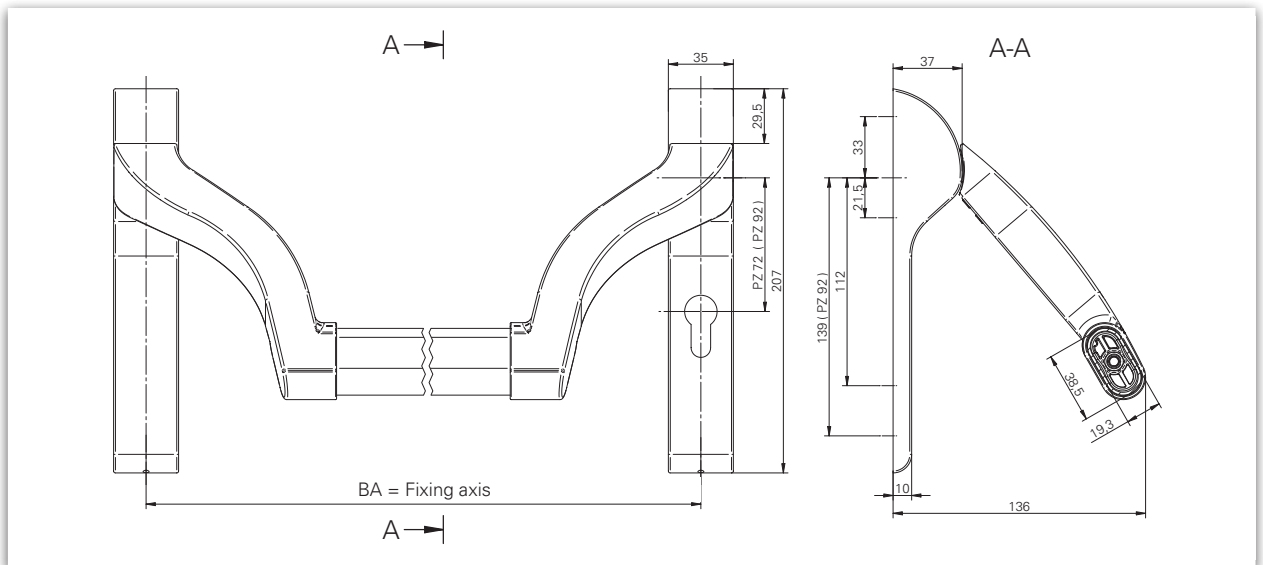
The grip tube has to be ordered separately.



Please see our notes on page 701.

Product characteristics		
Mode of operation	Touchbar	-
	Pushbar	■
Finish	Stainless steel	■
	Alu. F1 coated	-
	Colour coated	-
Grip tube	900*	■
	1.150*	■
	1.500*	□
Lock type	PZ-72	■
	PZ-92	■
	RZ-74	■
	RZ-94	■
	UG (blind)	■
DIN left / right usable		■
Suitable for the use on fire- and smoke control doors		■
Tested acc. to DIN / EN		■

■ Yes - No □ Option



Dimensioning: EPN 900 IV with security short plate counter handle

Description

EPN 900 IV Security short plate handle / Pushbar

The arms are highly cranked and enable the use of electronic key cylinders.

This execution of tube for EPN 900 IV has especially been designed for the use with security handles on short plate as counter hardware. The norm and drillhole distances for security handles on short plate as counter hardware have been taken into consideration.

- Tested acc. to **EN 1125, EN 1634, EN 1191**
- Can be used according to **EN 1125** only in combination with tested lock and door hardware
- Suitable for the use on fire- and smoke control doors according testing
- DIN left / right usable
- Arms highly cranked, suitable in particular for electronic key cylinders and short PZ distances.
- Large, stable grip plate (vandalism)
- High-strength screwing of arm and tube
- Finish:
 - Stainless steel satin brushed
 - Silver (F1)* coated (on basis EPN 900 IV Stainless steel)
 - Steel zinc-plated and silver (F1)* coated
- Gear unit: steel zinc-plated

Set EPN 900 IV with Security short plate counter handle



Set consists of:

- **EPN 900 IV ER** (also available in aluminium, F1 silver coated)*
- **Security short plate counter handle with OGL - friction bearing technology**
Counter handle lever D-110 (PZ or ZA)
Counter handle knob K-130 (PZ or ZA)

Accessories

- Screw bag set (please mention door thickness)
- Grip tube (see length-chart)
- Spindle has to be ordered separately



Set EPN 900 IV Stainless steel	Turning angle	EPN 900 IV	Counter handle PZ-72 / 14 mm		Counter handle ZA-72 / 14 mm	
			D-110	K-130	D-110	K-130
PZ-72	45°	1069a1454601080	106940024600010	106942024600010	106940524600010	106942524600010

Further versions and handle types on request.

Accessories





Grip tube ER	Fixing axis (BA) max.	Article number
900 mm	1.067 mm	109506604600070
1.150 mm	1.317 mm	109506614600070
1.500 mm	1.669 mm	109506644600070

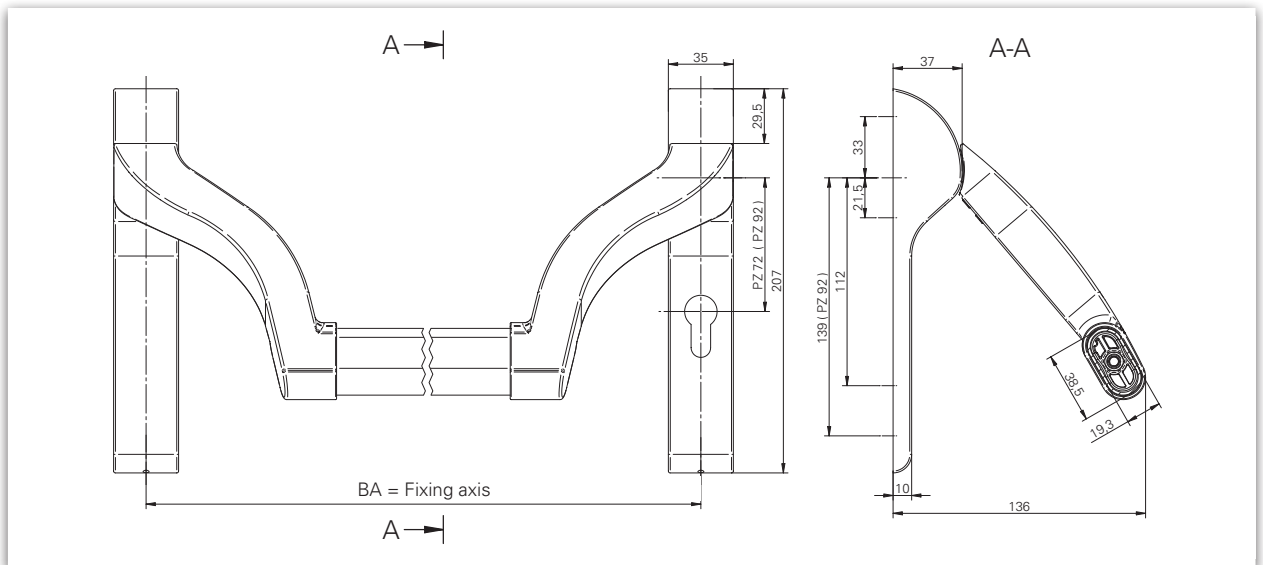
The grip tube has to be ordered separately.



Please see our notes on page 701.

Product characteristics		
Mode of operation	Touchbar	-
	Pushbar	■
Finish	Stainless steel	■
	Alu. F1 coated	-
	Colour coated	-
Grip tube	900*	■
	1.150*	■
	1.500*	□
Lock type	PZ-72	■
	PZ-92	■
	RZ-74	■
	RZ-94	■
	UG (blind)	■
DIN left / right usable		■
Suitable for the use on fire- and smoke control doors		■
Tested acc. to DIN / EN		■

■ Yes - No □ Option



Dimensioning: EPN 900 IV with security long plate counter handle

Description

EPN 900 IV Security long plate handle / Pushbar

The arms are highly cranked and enable the use of electronic key cylinders.

This execution of tube for EPN 900 IV has especially been designed for the use with security handles for profile frame doors as counter hardware. The norm and drillhole distances for security handles on long plates for profile frame doors as counter hardware have been taken into consideration

- Tested acc. to **EN 1125, EN 1634, EN 1191**
- Can be used according to **EN 1125** only in combination with tested lock and door hardware
- Suitable for the use on fire- and smoke control doors according testing
- DIN left / right usable

- Arms highly cranked, suitable in particular for electronic key cylinders and short PZ distances.
- Large, stable grip tube (vandalism)
- High-strength screwing of arm and tube
- Finish:
 - Stainless steel satin brushed
 - Silver (F1)* coated (on basis of EPN 900 IV Stainless steel)
 - Steel zinc-plated and silver (F1)* coated
- Gear unit: steel zinc-plated

Set EPN 900 IV with Security long plate counter handle



Set consists of:

- **EPN 900 IV ER** (also available in aluminium, F1 silver coated)*
- **Security long plate counter handle with OGL - friction bearing technology**
 - Counter handle lever D-110 (PZ or ZA)
incl. additional screwing M8
 - Counter handle knob K-130 (PZ or ZA)
incl. additional screwing M8

Accessories

- Screw bag set (please mention door thickness)
- Grip tube (see length-chart)
- Spindle has to be ordered separately




Set EPN 900 IV Stainless steel	Turning angle	EPN 900 IV	Counter handle PZ / 14 mm		Counter handle ZA / 14 mm	
			D-110	K-130	D-110	K-130
PZ-72	45°	1069a1454601080	106940004600015	106942004600015	106940504600015	106942504600015
PZ-92	45°	1069a2454601080	106940014600015	106942014600015	106940514600015	106942514600015

Further versions and handle types on request.

Accessories




Grip tube ER	Fixing axis (BA) max.	Article number
900 mm	1.067 mm	109506604600070
1.150 mm	1.317 mm	109506614600070
1.500 mm	1.669 mm	109506644600070

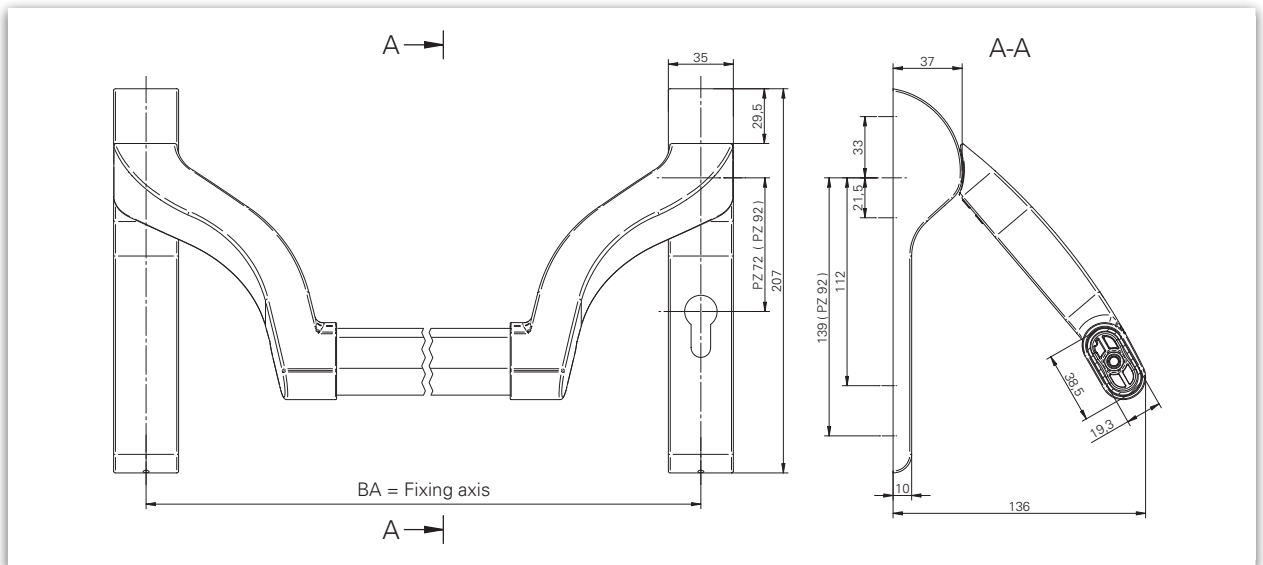


The grip tube has to be ordered separately.

Please see our notes on page 701.

Product characteristics		
Mode of operation	Touchbar	-
	Pushbar	■
Finish	Stainless steel	■
	Alu. F1 coated	-
	Colour coated	-
Grip tube	900*	■
	1.150*	■
	1.500*	□
Lock type	PZ-72	■
	PZ-92	■
	RZ-74	■
	RZ-94	■
	UG (blind)	■
DIN left / right usable		■
Suitable for the use on fire- and smoke control doors	F	■
Tested acc. to DIN / EN	EN 1125 	■

■ Yes - No □ Option



Dimensioning: EPN 900 IV with security profile frame counter handle

Description

EPN 900 IV Security handle profile frame / Pushbar

The arms are highly cranked and enable the use of electronic key cylinders.

This execution of tube for EPN 900 IV has especially been designed for the use with security handles for profile frame doors as counter hardware. The norm and drillhole distances for security handles for profile frame doors as counter hardware have been taken into consideration

- Tested acc. to **EN 1125, EN 1634, EN 1191**
- Can be used according to **EN 1125** only in combination with tested lock and door hardware
- Suitable for the use on fire- and smoke control doors according testing
- DIN left / right usable
- Arms highly cranked, suitable in particular for electronic key cylinders and short PZ distances.
- Large, stable grip tube (vandalism)
- High-strength screwing of arm and tube
- Finish:
 - Stainless steel satin brushed
 - Silver (F1)* coated (on basis EPN 900 IV Stainless steel)
 - Stahl zinc-plated and silver (F1)* coated
- Gear unit: steel zinc-plated

Set EPN 900 IV with Security profile frame counter handle

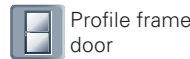


Set consists of:

- **EPN 900 IV ER** (also available in aluminium, F1 silver coated)*
- **Security counter handle for profile frame with OGL - friction bearing technology**
 - Counter handle lever D-116 (PZ or ZA)
 - incl. additional screwing M8
 - Counter handle knob K-160 (PZ or ZA)
 - incl. additional screwing M8

Accessories

- Screw bag set (please mention door thickness)
- Grip tube (see length-chart)
- Spindle has to be ordered separately



Set EPN 900 IV Stainless steel	Turning angle	EPN 900 IV	Counter handle PZ / 14 mm		Counter handle ZA / 14 mm	
			D-116	K-160	D-116	K-160
PZ-72	30°	1069a1304601080	106941004600015	106943004600015	106941504600015	106943504600015
	40°	1069a1404601080				
	45°	1069a1454601080				
PZ-92	30°	1069a2304601080	106941014600015	106943014600015	106941514600015	106943514600015
	40°	1069a2404601080				
	45°	1069a2454601080				

Further versions and handle types on request.

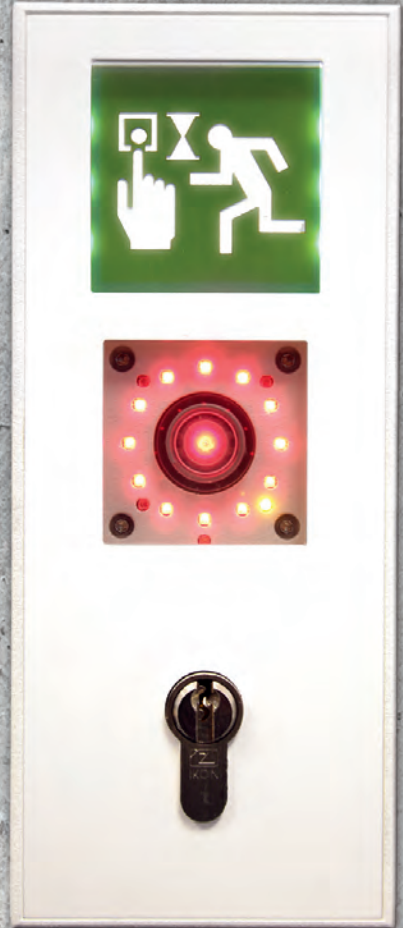
Accessories



Grip tube ER	Fixing axis (BA) max.	Article number
900 mm	1.067 mm	109506604600070
1.150 mm	1.317 mm	109506614600070
1.500 mm	1.669 mm	109506644600070

The grip tube has to be ordered separately.

Please see our notes on page 701.





Standard e-strike

Standard e-strike with operating current, RS approval, radius latch and a locking force of 5000N. Can also be used individually DIN left or right.

Execution	Colour
Standard e-strike, 5-24V ECO5002-A	blue



Fire protection e-strike

Fire protection e-strike, operating current principle (currentless closed), tested for FS- and RS doors, radius latch with a locking force of 8000N, version with preload of max. 350N. Can also be used individually DIN left or right.

Execution	Colour
Fire protection e-strike 5-24V ECO-F502-A	blue



Escape route e-strike

Escape route e-strike, closed current principle (currentless opened), tested for exit route doors (MPA), case fit depth 6mm, load-independent, clamp-free release according to EltVTR.

Execution	Colour
Escape route e-strike 24V DIN left TV-CLSA	-
Escape route e-strike 24V DIN right TV-CLRA	-



Escape terminal plus

Escape terminal with a mounting height of 85-120mm, networking via BUS with an operating voltage of 12-24V, luminescent pictogram incl. sabotage contact.

Execution	Colour
Escape terminal with code, emergency button and pictogram FT-C	green
Escape terminal with code, emergency button and pictogram-option with reader FT-C-L	green
Escape terminal with key, emergency button and pictogram FT-S	green
Escape terminal with key and emergency button as robust version FT-S-R	white



Emergency button with pictogram

Emergency button with a mounting height of 148mm, with an operating voltage of 12-24V, luminescent pictogram incl. sabotage contact.

Execution	Colour
Emergency button with pictogram with 2x opener NT2Ö-P	green
Emergency button with pictogram with 1 x opener and 1 x closer NT11 -P	green
Emergency button with pictogram with 2x opener Version with relais NT2ÖR-P	green
Emergency button with pictogram with 1 x opener and 1 x closer Version with relais NT11R-P	green



Emergency button

Emergency button with a mounting height of 88mm, with an operating voltage of 12-24V, incl. sabotage contact.

Execution	Colour
Emergency button with 2x opener NT2Ö-g	green
Emergency button with 1 x opener and 1 x closer NT11 -g	green
Emergency button with 2x opener Version with relais NT2ÖR-g	green
Emergency button with 2x opener, robust NT2ÖR-w	green



Access control plus

Access control with a mounting height of 85- 120mm, networking via BUS with an operating voltage of 12-24V, with status display and incl. sabotage contact.

Execution	Colour
Control without operation, stand alone Zuko as DIN track mounting ZUKO-S-DIN	white
Control without operation, stand alone Zuko as uP-mounting ZUKO-S-uP	white
Multi control without operation Networking of 4 or 8 interlocks as DIN mounting ZUKO-MS-DIN	white
Multi control without operation Networking of 4 or 8 interlocks as uP-mounting ZUKO-MS-uP	white
Fingerprint reader, stand alone Zuko as DIN track mounting ZUKO-F-DIN	white
Fingerprint reader, stand alone Zuko as uP-mounting ZUKO-F-uP	white



Keypad

Keypad with a mounting height of 88mm and 7 status LED's, with an operating voltage of 12-24V, incl. sabotage contact.

Execution	Colour
Keypad uP/aP CT-w	white
Keypad uP/aP Version with reader CT-L-w	white
Keypad uP/aP Robust version CT-R-w	white



Key switch

Key switch with a mounting height of 88mm, networking via BUS and an operating voltage of 12-24V, incl. sabotage contact.

Execution	Colour
Key switch uP/aP SS-w	white
Key switch uP/aP Robust version SS-R-w	white



Fingerprint

Fingerprint, with an operating voltage of 8-24V, incl. molded connection cable 6m, suitable for outdoor use IP56 and a capacity of 150 fingers.

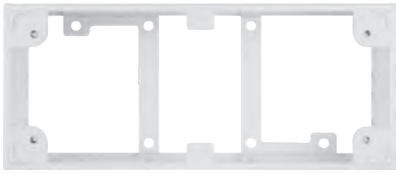
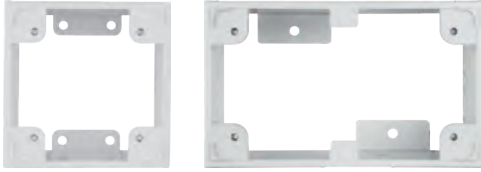
Execution	Colour
Fingerprint reader uP/aP FI-we	white / Stainless steel
Fingerprint reader IR uP/aP FI-IR-we	white / Stainless steel
Fingerprint reader IR programmer FI-IR-P-w	white
Fingerprint reader, combination with key pad FIC-we	white / Stainless steel
Fingerprint reader, combination with key pad and reader FIC-L-we	white / Stainless steel



Beeper and control box

Beeper with an operating voltage of 12-24V and 3 display types.

Execution	Colour
Multifunctional beeper 2E for 3 different tones (35 tonalties) 2E for 4 different lights uP MS-L-w	Nylon white
Multifunctional beeper 2E for 3 different tones (35 tonalties) MS-w	Nylon white



Case

aP Case

Execution	Colour
88x88x55mm AP1-w/AP1-g	white/green
148x88x48mm AP2-w/AP2-g	white/green
208x88x48mm AP3-w/AP3-g	white/green

Cable transition

Execution	Colour
Concealed, releaseable cable transition Type 1551, 1 x Tub opening up to 180° Kü1551	Steel chrome-plated

Surface magnet

Execution	Colour
Surface magnet aP, 200kg with hall-sensor Typ EF300CTC FM-mH	-
Surface magnet aP, 2x200kg with hall-sensor Typ EF300-2CTC FM2-mh	-

Power supply

Execution	Colour
Power supply DIN track mounting, 230VAC/24VDC/2,5A NT-DIN230V/24V/2,5A	-
uP power supply, 24VDC/0,75A NT230V/24V/0,75A	-



Annual time switch

Annual time switch, switches electrical contact on or off at fixed times. The switching times are individually adjustable for the whole year.

Execution	Colour
Annual time switch 230V, Theben top2, TR644, 4 channel JU-4K	-



Week time switch

Week time switch, switches electrical contact on or off at fixed times. The switching times are individually adjustable for the whole week.

Execution	Colour
Week time switch 230V, Theben top2, TR612, 2 channel JU-4K	-

Order information

Simply give us a call or write us an e-mail .
We will be happy to work out a personal solution for you:

Phone

+ 49 (0) 2373 9276 – 0

E-Mail

itm@eco-schulte.de



ECO Panic locking devices

In case of panic

Panic bolting technology ensures that people can get out of a danger zone at any time, even in a panic situation. One push on the horizontal activation element is all it takes and the door opens - irrespective of whether it was locked or not.

ECO unlocking solutions also open up the escape route when a crowd of people presses against the door. And even the strength of a child is sufficient to open the door to escape from a fire or toxic smoke.

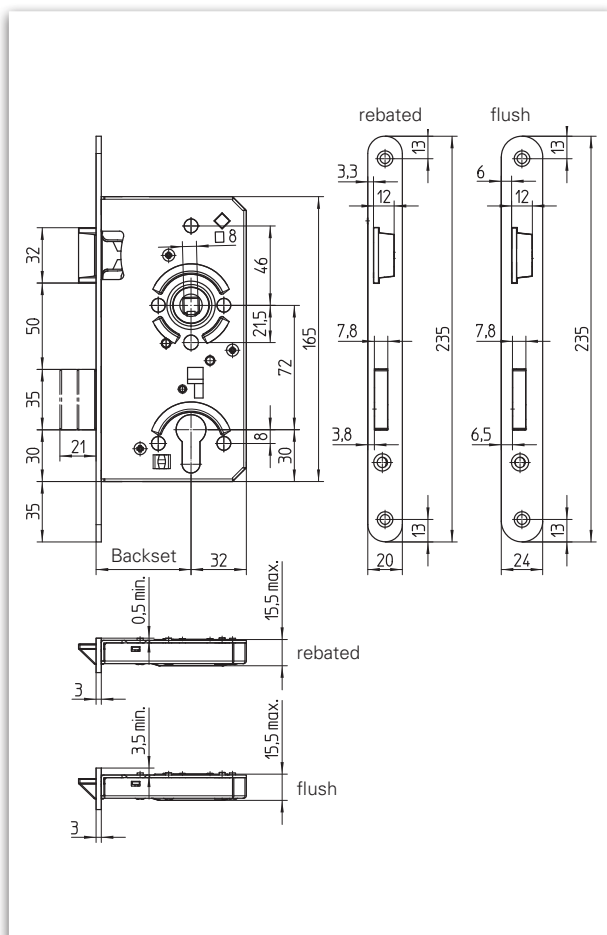
ECO lock technology and panic combinations





Product characteristics		
Lock type	PZ-72 (handle / knob execution)	■
	BB-72 (insert)*	■
	WC-78	■
	RZ-74	□
Backset	55	■
	60	□
	65	■
Face plate	Stainless steel	■
Face plate width	20 round (rebate)	■
	24 round (flush)	■
Hub	8 mm	■
Tested / manufactured acc. to DIN EN	DIN 18251 / EN 12 209	■

■ Yes - No □ On request *BB-insert- see following page



Description

- Tested acc. to **DIN EN 12 209**
- Manufactured acc. to **DIN 18251-1** Class 3
- Recommended for doors in public buildings and apartment doors
- Lock case zinc-plated
- Dead bolt and latch nickel-plated
- Hub with spring hub in wear-resistance sliding bearing
- Face plate square on request

Individual stamping possible on request and at an extra charge.

GBS 12 ■ Object lock

Face plate finish	Backset in mm	Face plate form	Face plate 20 x 235 mm / PZ-72 (handle / knob execution)		Face plate 20 x 235 mm / WC-78	
			DIN left	DIN right	DIN left	DIN right
Stainless steel	55	round	2012aha01h30308	2012aha01h30408	2012ahf01h30308	2012ahf01h30408
	65	round	2012aja01h30308	2012aja01h30408	2012ajf01h30308	2012ajf01h30408

Face plate finish	Backset in mm	Face plate form	Face plate 24 x 235 mm / PZ-72 (handle / knob execution)		Face plate 24 x 235 mm / WC-78	
			DIN left	DIN right	DIN left	DIN right
Stainless steel	55	round	2012aha01p30308	2012aha01p30408	2012ahf01p30308	2012ahf01p30408
	65	round	2012aja01p30308	2012aja01p30408	2012ajf01p30308	2012ajf01p30408



Accessorie set BB-insert


Set consists of BB-insert for PZ-hole with key and mounting screw
BB-sweeping Nr. 1-10

Article number	Execution
2Z70094	Accessorie bag nylon BB-insert, Key 84 mm




Product characteristics		
Lock type	PZ-72 (handle / knob execution)	■
	BB-72 (insert)*	■
	WC-78	■
	RZ-74	□
Backset	55	■
	60	□
	65	■
	80	■
Face plate	Stainless steel	■
Face plate width	20 rund (rebate)	■
	24 rund (flush)	■
Hub	8 mm	■
Tested / manufactured acc. to DIN EN	DIN 18251 / EN 12 209	■

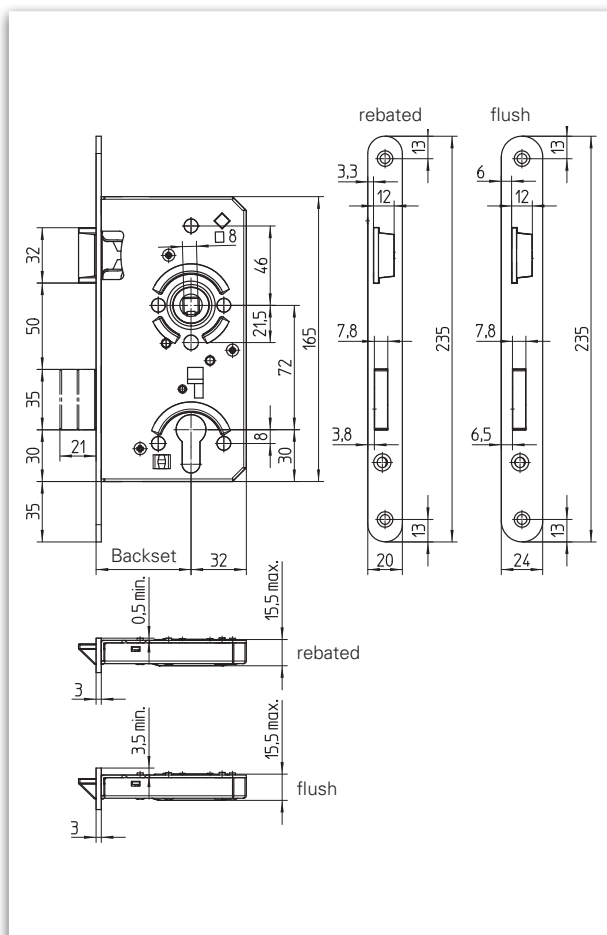
■ Yes - No □ On request *BB-insert - see page 537



Wooden door



Steel door



Description

- Tested acc. to **DIN EN 12 209**
- Manufactured acc. to **DIN 18251-1** Class 4
- Recommended for doors in public buildings and apartment doors with burglary resistance
- Closed, zinc-plated case
- Dead bolt and latch nickel-plated
- Hub with spring hub in wear-resistance sliding bearing
- Face plate square on request

Individual stamping possible on request and at an extra charge.


Dimensioning: GBS 15

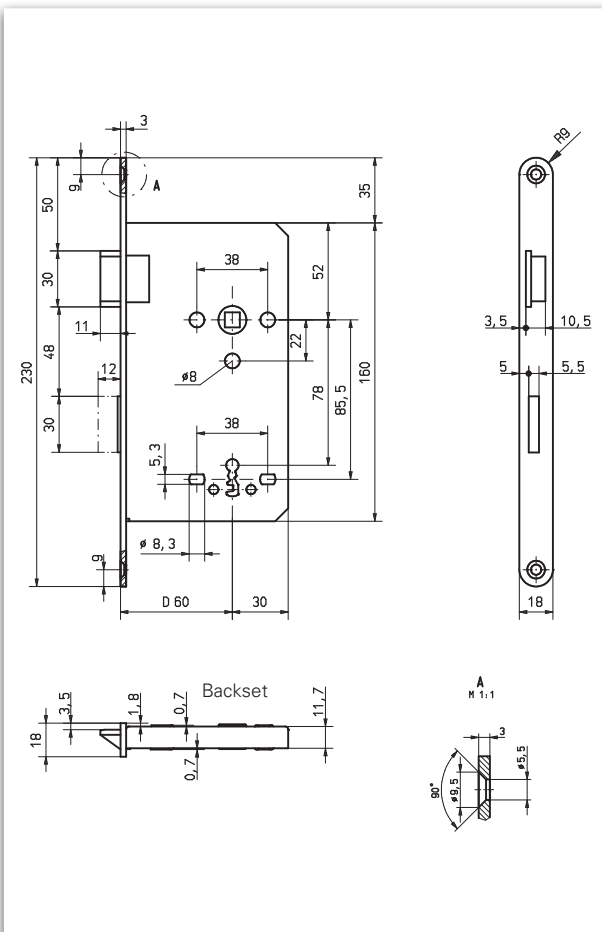
**GBS 15 ■ Object lock in authority quality with burglary resistance**

Face plate finish	Backset in mm	Face plate form	Face plate 20 x 235 mm / PZ-72 (handle / knob execution)		Face plate 20 x 235 mm / WC-78	
			DIN left	DIN right	DIN left	DIN right
Stainless steel	55	round	2015aha01h30308	2015aha01h30408	2015ahf01h30308	2015ahf01h30408
	65	round	2015aja01h30308	2015aja01h30408	2015ajf01h30308	2015ajf01h30408
	80	round	2015ama01h30308	2015ama01h30408	2015amf01h30308	2015amf01h30408

Face plate finish	Backset in mm	Face plate form	Face plate 24 x 235 mm / PZ-72 (handle / knob execution)		Face plate 24 x 235 mm / WC-78	
			DIN left	DIN right	DIN left	DIN right
Stainless steel	55	round	2015aha01p30308	2015aha01p30408	2015ahf01p30308	2015ahf01p30408
	65	round	2015aja01p30308	2015aja01p30408	2015ajf01p30308	2015ajf01p30408
	80	round	2015ama01p30308	2015ama01p30408	2015amf01p30308	2015amf01p30408



Product characteristics		
Lock type	PZ-78 (handle / knob execution)	■
	BB-78	■
	WC-78	■
	RZ-78 (handle / knob execution)	■
Backset	60	■
Face plate	Stainless steel finish	■
Face plate width	18	■
Hub	8 mm*	■
	9 mm	□
■ Yes - No □ On request *Special spring hub		
 Wooden door		



Description

- Mortise lock / Authority lock (Swiss dimensions)
- Dead bolt steel zinc-plated, single-turn
- Latch with steel-Delrin
- Case zinc-plated

Individual stamping possible on request and at an extra charge.


Dimensioning: GBS 39

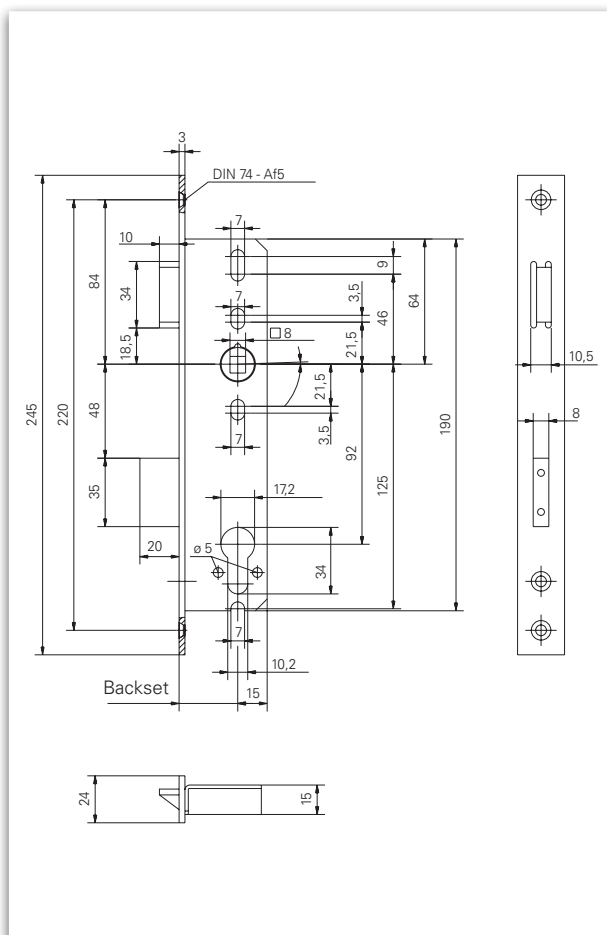
GBS 39 ■ Room door lock with Swiss dimensions

Face plate finish	Hub	Backset in mm	Face plate form	Face plate 18 x 230 mm / PZ-78 (handle / knob execution)		Face plate 18 x 230 mm / RZ-78 (handle / knob execution)	
				DIN left	DIN right	DIN left	DIN right
Stainless steel	8	60	round	2039aig01u30107	2039aig01u30207	2039aih01u30107	2039aih01u30207

Face plate finish	Hub	Backset in mm	Face plate form	Face plate 18 x 230 mm / BB-78		Face plate 18 x 230 mm / WC-78	
				DIN left	DIN right	DIN left	DIN right
Stainless steel	8	60	round	2039aic01u30107	2039aic01u30207	2039aif01u30107	2039aif01u30207



Product characteristics		
Lock type	PZ-92 (handle / knob execution)	■
Backset	25	■
	30	■
	35	■
	40	■
	45	■
Face plate	Stainless steel	■
	Stahl zinc-plated	■
Face plate width	16	□
	20	□
	24	■
Hub	8 mm	■
	8,6 mm / 9 mm	□
DIN left / right usable		■
■ Yes - No □ On request		
 Profile frame door		



Description



- Mortise lock for profile frame doors
- Shiftable latch bolt
- Safety bolt with rotating steel key-bolts
- Special version on request:
 - Latch and deadbolt protruding 5 mm (up to backset 40 mm)
 - Individual stamping possible on request and at an extra charge.

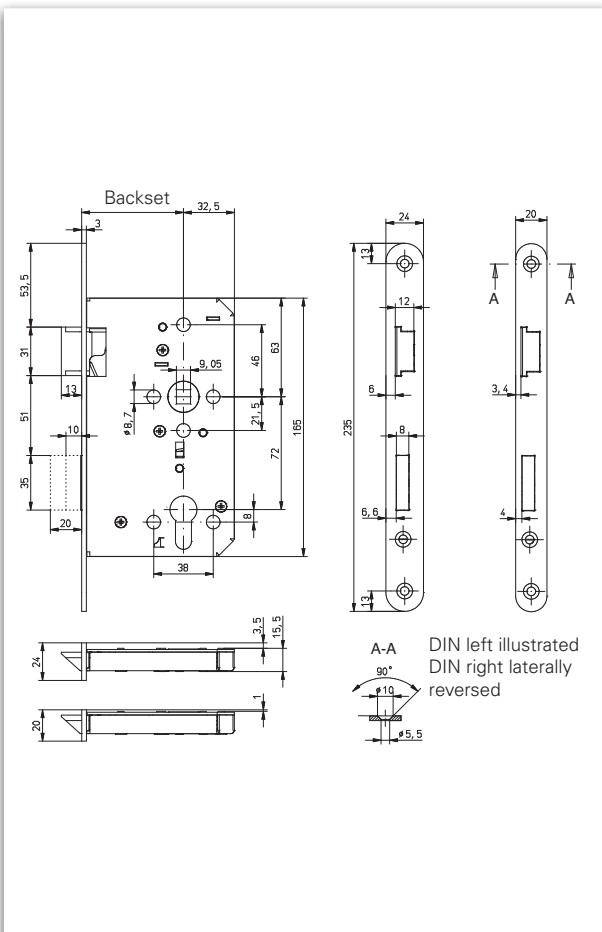
GBS 69 ■ Mortise lock for profile frame

Face plate finish	Backset in mm	Face plate form	Face plate 24 x 245 mm	
			DIN left	DIN right
Stainless steel	25	square	2069A1aE28fK017	2069A1aE28fK017
	30	square	2069A1aG28fK017	2069A1aG28fK017
	35	square	2069A1aH28fK017	2069A1aH28fK017
	40	square	2069A1aI28fK017	2069A1aI28fK017
	45	square	2069A1aJ28fK017	2069A1aJ28fK017

Face plate finish	Backset in mm	Face plate form	Face plate 24 x 245 mm	
			DIN left	DIN right
Stainless steel	25	square	2069A1aE28fJ017	2069A1aE28fJ017
	30	square	2069A1aG28fJ017	2069A1aG28fJ017
	35	square	2069A1aH28fJ017	2069A1aH28fJ017
	40	square	2069A1aI28fJ017	2069A1aI28fJ017
	45	square	2069A1aJ28fJ017	2069A1aJ28fJ017



Product characteristics		
Lock type	PZ-72 (handle / knob execution)	■
	RZ-74 (handle / knob execution)	□
Backset	55	□
	65	■
	80	■
	100	■
Face plate	Stainless steel	■
	Steel zinc-plated	▣
Face plate width	20 round (rebate)	■
	24 round (flush)	■
Hub	9 mm	■
Suitable for the use on fire- and smoke control doors	F	■
Tested and approved acc. to DIN / EN	DIN 18 250 EN 12 209	
■ Yes - No □ On request ▣ See execution		
 Wooden door  Steel door		



Description

- Mortise lock for fire- and smoke control doors
- Tested and approved acc. to **DIN 18 250, EN 12 209**
- Face plate square on request

Individual stamping possible on request and at an extra charge.



Dimensioning: GBS 81

**GBS 81 ■ Mortise lock for fire- and smoke control doors****DIN 18 250****EN 12 209****F**

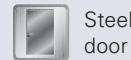
Face plate finish	Backset in mm	Face plate form	Face plate 20 x 235 mm / PZ-72 (handle / knob execution)		Face plate 24 x 235 mm / PZ-72 (handle / knob execution)	
			DIN left	DIN right	DIN left	DIN right
Stainless steel	65	round	2081_2AN40BK013	2081_2AN40BK014	2081_2AN40aK013	2081_2AN40aK014
	80	round	2081_2AR40BK013	2081_2AR40BK014	2081_2AR40aK013	2081_2AR40aK014
	100	round	2081_2AV40BK013	2081_2AV40BK014	2081_2AV40aK013	2081_2AV40aK014
Steel zinc-plated	65	round round	-	-	2081_2AN40aJ013	2081_2AN40aJ014

GBS 82

Product characteristics

Lock type	PZ-72 (handle / knob execution)	■
Backset	65	■
Panic function	D	■
	E	■
Face plate	Steel zinc-plated	■
Face plate width	24	■
Hub	9 mm	■
Suitable for the use on fire- and smoke control doors	F	■
Tested and approved acc. to DIN / EN	EN 179  EN 1125 	
DIN left / right usable		■

■ Yes - No ■ On request



Steel door

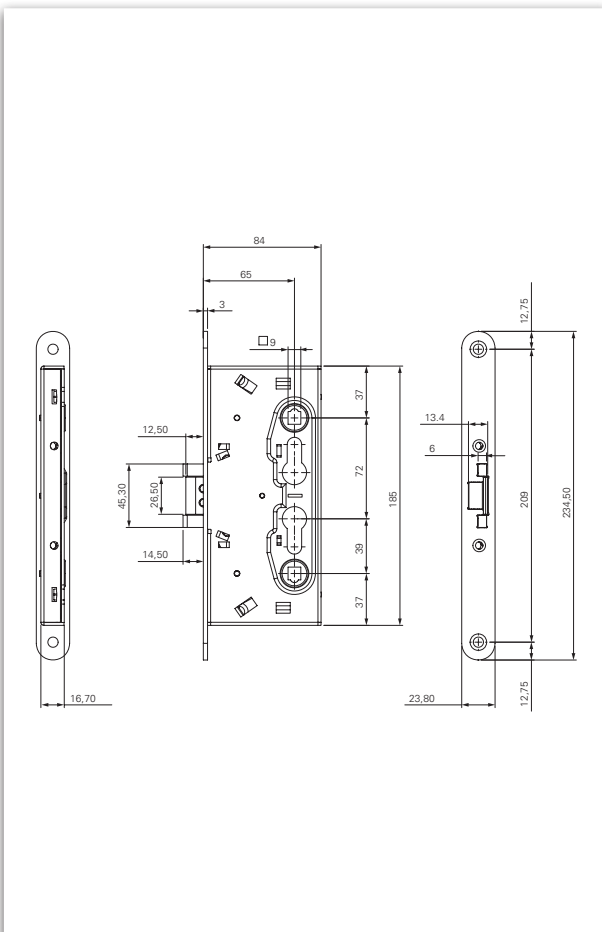
Description

- Mortise lock for fire- and smoke control doors
- Suitable for fire- and exit rout doors
- Tested and approved acc. to **EN 179** and **EN 1125**

Individual stamping possible on request and at an extra charge.

Note:

For suitable accessories see page 594.



Dimensioning: GBS 82

GBS 82 ■ Mortise lock for fire- and smoke control doors
DIN 18 250 **F**



Face plate finish	Backset in mm	Face plate form	Face plate 24 x 235 mm / PZ-72 (handle / knob execution)	
			DIN left	DIN right
Steel zinc-plated	65	round	2082aja02m10000	2082aja02m10000

Panic function D **EN 179** **EN 1125** **F**

Face plate finish	Backset in mm	Face plate form	Face plate 24 x 235 mm / PZ-72	
			DIN left	DIN right
Steel zinc-plated	65	round	2082aja02m13000	2082aja02m13000

Panic function E **EN 179** **EN 1125** **F**

Face plate finish	Backset in mm	Face plate form	Face plate 24 x 235 mm / PZ-72 (handle / knob execution)	
			DIN left	DIN right
Steel zinc-plated	65	round	2082aja02m14000	2082aja02m14000

Product characteristics		
Backset	65	■
Face plate	Steel zinc-plated	■
Face plate width	24	■
Hub	9 mm	■
Suitable for the use on fire- and smoke control doors	F	■
Tested and approved acc. to DIN / EN	EN 179  EN 1125 	
DIN left / right usable		■
■ Yes - No ■ On request		



Description

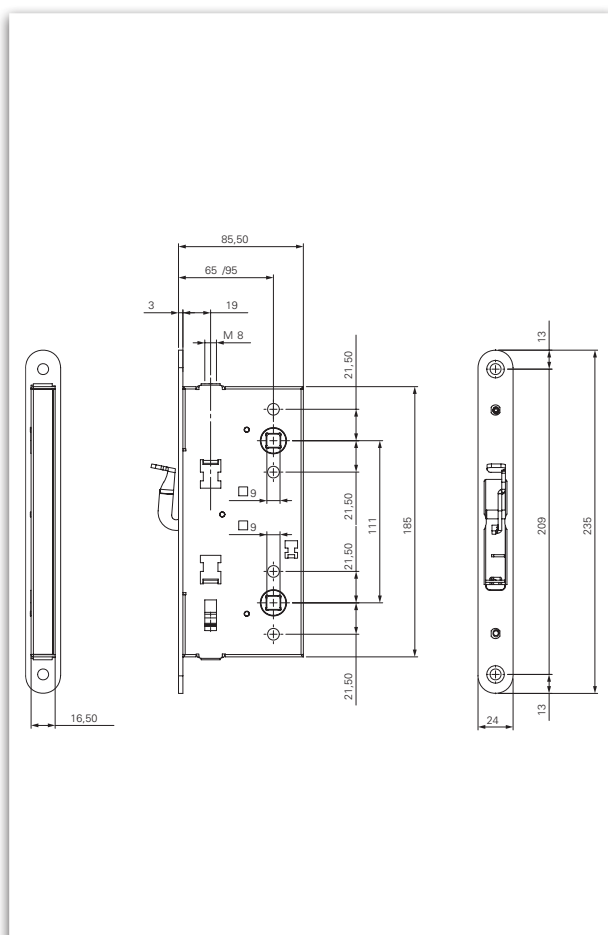
- Counter lock for GBS 83
- Suitable for fire- and exit route doors
- Tested and approved acc. to **EN 179** and **EN 1125**
- Can also be used as manual rebate drive dead bolt lock (without handle)

Individual stamping possible on request and at an extra charge.

Face plate finish	Backset in mm	Face plate	Face plate 24 x 235 mm DIN left / right
Steel zinc-plated	65	round	2084aj002m11000



Note:

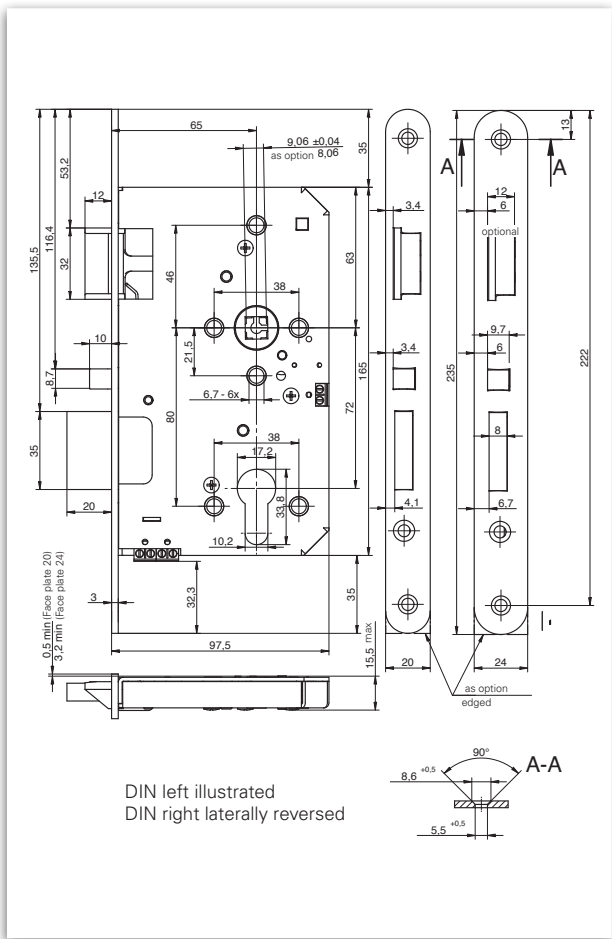
For suitable accessories see page 594.



Dimensioning: GBS 84



Product characteristics		
Lock type	PZ-72 (handle / knob execution)	■
	RZ-74 (handle / knob execution)	□
Backset	55	■
	65	■
Face plate	Stainless steel	■
Face plate width	20 round (rebate)	■
	24 round (flush)	■
Hub	9mm- one-piece (without seperating disc)	■
	9mm- two-piece (with seperating disc)	■
Suitable for the use on fire- and smoke control doors	F	■
Tested and approved acc. to DIN / EN	DIN 18 250 EN 12 209	
<input checked="" type="checkbox"/> Yes - No <input type="checkbox"/> On request		
 Wooden door  Steel door		



Description

- Automatic self-engaging mortise lock with panic function
- Closed lock case with 3-fold fastening with protection bushes
- Stainless steel latches and dead bolt
- Suitable for fire- and smoke control doors
- Tested and approved acc. to **DIN 18 250, EN 12 209**
- Automatic locking of the door by pressing the auxiliary latch when the door is closed
- Optional extras possible
Dead bolt monitoring
Lever locking

Individual stamping possible on request and at an extra charge.

Dimensioning: GBS 90

GBS 90 ■ Automatic self-engaging panic mortise lock (AVP)

DIN 18 250 **F**

Face plate finish	Backset in mm	Face plate form	Face plate 20 x 235 mm PZ-72 (lever / knob execution) / One-piece hub		Face plate 24 x 235 mm PZ-72 (lever / knob execution) / One-piece hub	
			DIN left	DIN right	DIN left	DIN right
Stainless steel	55	round	2090aha02h34308	2090aha02h34408	2090aha02m34308	2090aha02m34408
	65	round	2090aja02h34308	2090aja02h34408	2090aja02m34308	2090aja02m34408

DIN 18 250 **F**

Face plate finish	Backset in mm	Face plate form	Face plate 20 x 235 mm PZ-72 (lever / knob execution) / divided hub		Face plate 24 x 235 mm PZ-72 (lever / knob execution) / divided hub	
			DIN left	DIN right	DIN left	DIN right
Stainless steel	55	round	2090aha08h30300	2090aha08h30400	2090aha08m30300	2090aha08m30400
	65	round	2090aja08h30300	2090aja08h30400	2090aja08m31308	2090aja08m31408

Special functions	
02 / Micro switch for dead bolt monitoring or switching function	
03 / Lever locking on both sides, currentless free	
04 / Lever locking on both sides, currentless locked	
05 / Lever locking on one side, currentless free, Hinge side or hinge-opposite side	
06 / Lever locking on one side, currentless locked, Hinge side or hinge-opposite side	
08 / 24-Volt execution	
Micro switch	
Gold-plated contacts	max. 15V 200 mA
Dead bolt out	Normally open
Dead bolt in	Normally open
Protection type	IP 40
Connection	
Flexible cable, has to be laid by the customer, max. Cable cross section 1,5 mm ²	
Blocking magnet, divided hub	
Nominal voltage	12V
Operating voltage	10,5V to 14V
Nominal power consumption	100 mA at 12V = 1,2W
Rel. duty cycle ED	100 %
Class of insulating material	E (T _{grenz} = 120 °C)







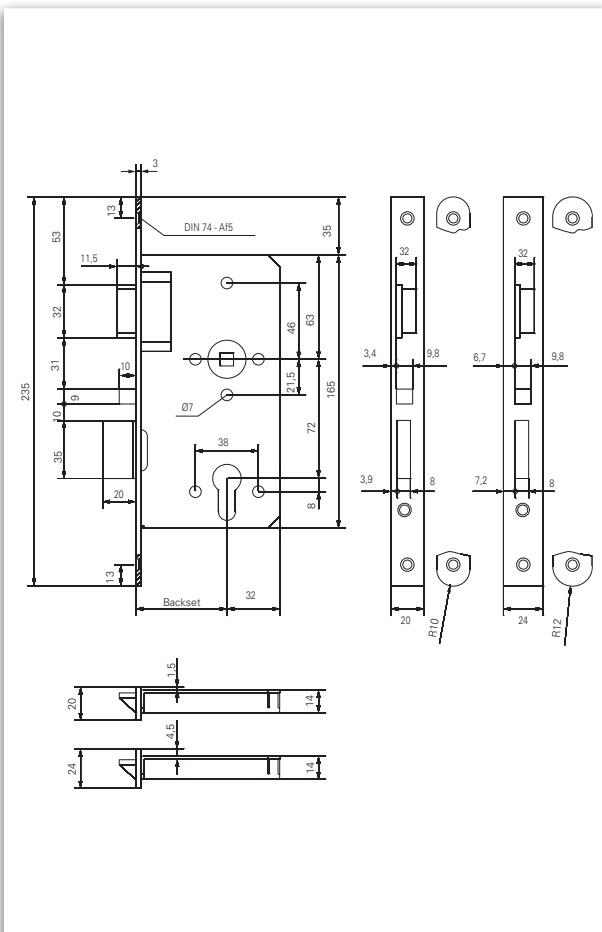
Accessories Connecting cable

10 m, 4-wire, with wire end ferrule

Article number	Execution
20996100	10 m, 4-wire, with wire end ferrule


GBS 91

Product characteristics		
Lock type	PZ-72 (handle / knob execution)	■
	RZ-74 (handle / knob execution)	□
Backset	55	■
	65	■
Face plate	Stainless steel	■
Face plate width	20 round (rebate)	■
	24 round (flush)	■
Hub	9 mm	■
Suitable for the use on fire- and smoke control doors	F	■
Tested and approved acc. to DIN / EN	EN 179  EN 1125 	
	EN 12 209 DIN 18 250	
■ Yes - No □ On request		
 Wooden door  Steel door		



Dimensioning: GBS 91

Description

- Automatic self-engaging mortise lock with panic function
- Stainless steel latches and dead bolt
- Closed lock case with 3-fold fastening with protection bushes
- Suitable for fire- and smoke control doors
- Tested and approved acc. to **EN 179, EN 1125, EN 12 209, EN 18 250**
- Automatic locking of the door by pressing the auxiliary latch when the door is closed
- Optional extras possible
 - Dead bolt monitoring
 - Lever locking





Individual stamping possible on request and at an extra charge.

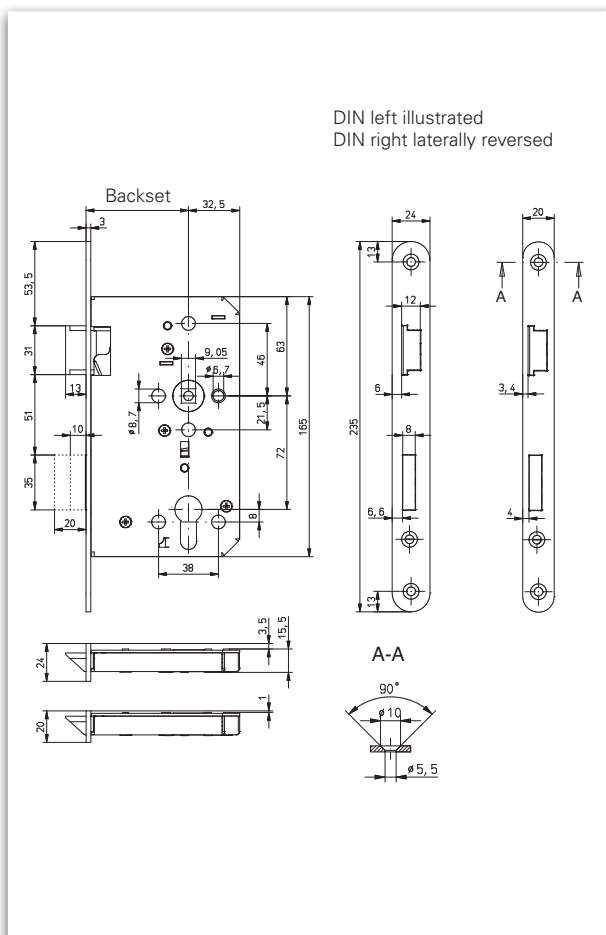


GBS 91 ■ Automatic self-engaging panic mortise lock (AVP)

Face plate finish	Backset in mm	Face plate form	Face plate 20 x 235 mm / PZ-72 (handle / knob execution)		Face plate 24 x 235 mm / PZ-72 (handle / knob execution)	
			DIN left	DIN right	DIN left	DIN right
Stainless steel	55	round	2091aha02h34308	2091aha02h34408	2091aha02m34308	2091aha02m34408
	65	round	2091aja02h34302	2091aja02h34402	2091aja02m34100	2091aja02m34200



Product characteristics		
Lock type	PZ-72	■
	RZ-74	□
Backset	55	□
	65	■
	80	■
	100	■
Panic function	B B- inwards	■
	C C- inwards	■
	D D- inwards	■
	E	■
Face plate	Stainless steel	■
Face plate width	20 round (rebate)	■
	24 round (flush)	■
Hub	9 mm	■
Suitable for the use on fire- and smoke control doors	F	■
Tested and approved acc. to DIN / EN	EN 179 	EN 1125 
	DIN 18 250	EN 12 209
<p>■ Yes - No □ On request</p>		
<p> Wooden door  Steel door</p>		



Description

- Panic mortise lock
- Tested and approved acc. to **EN 179, EN 1125, DIN 18 250** and **EN 12 209**
- For single lead wooden- and steel fire and smoke control doors
- Face plate square on request

Individual stamping possible on request and at an extra charge.

Dimensioning: GBS 92 / Panic function D

Panic function E

Face plate finish	Backset in mm	Face plate form	Face plate 20 x 235 mm / PZ-72 (handle / knob execution)		Face plate 24 x 235 mm / PZ-72 (handle / knob execution)	
			DIN left	DIN right	DIN left	DIN right
Stainless steel	65	round	2092_ja02h34100	2092_ja02h34200	2092_ja02m34100	2092_ja02m34200
	80	round	2092_ma02h34100	2092_ma02h34200	2092_ma02m34100	2092_ma02m34200
	100	round	2092_qa02h34100	2092_qa02h34200	2092_qa02m34100	2092_qa02m34200

Panic function D

Face plate finish	Backset in mm	Face plate form	Face plate 20 x 235 mm / PZ-72		Face plate 24 x 235 mm / PZ-72	
			DIN left	DIN right	DIN left	DIN right
Stainless steel	65	round	2092_ja02h35100	2092_ja02h35200	2092_ja02m35100	2092_ja02m35200
	80	round	2092_ma02h35100	2092_ma02h35200	2092_ma02m35100	2092_ma02m35200
	100	round	2092_qa02h35100	2092_qa02h35200	2092_qa02m35100	2092_qa02m35200

Panic function B

Face plate finish	Backset in mm	Face plate form	Face plate 20 x 235 mm / PZ-72		Face plate 24 x 235 mm / PZ-72	
			DIN left	DIN right	DIN left	DIN right
Stainless steel	65	round	2092_ja02h33100	2092_ja02h33200	2092_ja02m33100	2092_ja02m33200
	80	round	2092_ma02h33100	2092_ma02h33200	2092_ma02m33100	2092_ma02m33200
	100	round	2092_qa02h33100	2092_qa02h33200	2092_qa02m33100	2092_qa02m33200

Panic function C

Face plate finish	Backset in mm	Face plate form	Face plate 20 x 235 mm / PZ-72		Face plate 24 x 235 mm / PZ-72	
			DIN left	DIN right	DIN left	DIN right
Stainless steel	65	round	2092_ja02h32100	2092_ja02h32200	2092_ja02m32100	2092_ja02m32200
	80	round	2092_ma02h32100	2092_ma02h32200	2092_ma02m32100	2092_ma02m32200
	100	round	2092_qa02h32100	2092_qa02h32200	2092_qa02m32100	2092_qa02m32200

Panic function D inwards

Face plate finish	Backset in mm	Face plate form	Face plate 20 x 235 mm / PZ-72		Face plate 24 x 235 mm / PZ-72	
			DIN left	DIN right	DIN left	DIN right
Stainless steel	65	round	2092_ja02h39100	2092_ja02h39200	2092_ja02m39100	2092_ja02m39200
	80	round	2092_ma02h39100	2092_ma02h39200	2092_ma02m39100	2092_ma02m39200
	100	round	2092_qa02h39100	2092_qa02h39200	2092_qa02m39100	2092_qa02m39200





Panic function B inwards

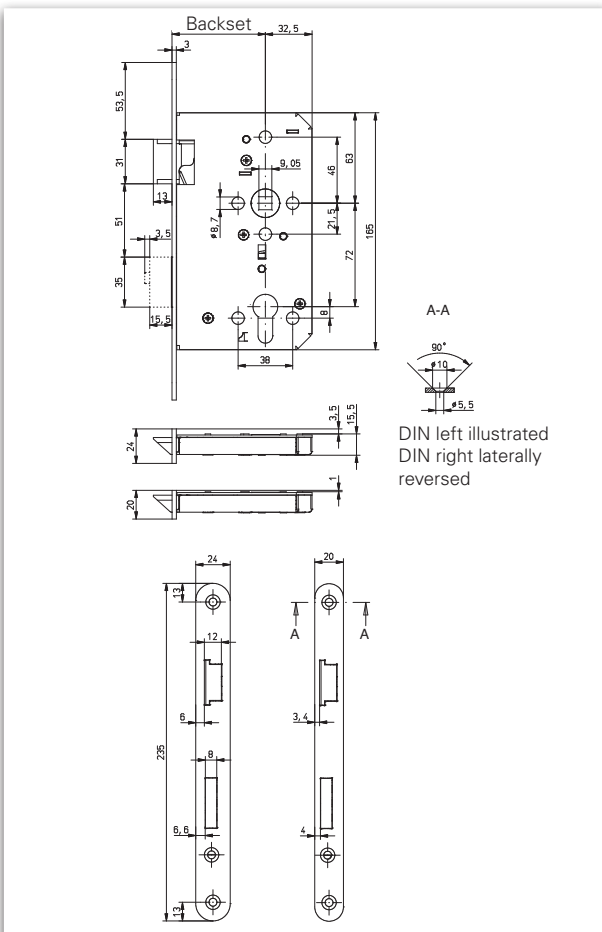
Face plate finish	Backset in mm	Face plate form	Face plate 20 x 235 mm / PZ-72		Face plate 24 x 235 mm / PZ-72	
			DIN left	DIN right	DIN left	DIN right
Stainless steel	65	round	2092_ja02h37100	2092_ja02h37200	2092_ja02m37100	2092_ja02m37200
	80	round	2092_ma02h37100	2092_ma02h37200	2092_ma02m37100	2092_ma02m37200
	100	round	2092_qa02h37100	2092_qa02h37200	2092_qa02m37100	2092_qa02m37200

Panic function C inwards

Face plate finish	Backset in mm	Face plate form	Face plate 20 x 235 mm / PZ-72		Face plate 24 x 235 mm / PZ-72	
			DIN left	DIN right	DIN left	DIN right
Stainless steel	65	round	2092_ja02h38100	2092_ja02h38200	2092_ja02m38100	2092_ja02m38200
	80	round	2092_ma02h38100	2092_ma02h38200	2092_ma02m38100	2092_ma02m38200
	100	round	2092_qa02h38100	2092_qa02h38200	2092_qa02m38100	2092_qa02m38200



Product characteristics		
Lock type	PZ-72	■
	RZ-74	□
Backset	55	□
	65	■
	80	■
	100	■
Panic function	B	■
	C	■
	D	■
	E	■
Face plate	Stainless steel	■
Face plate width	20 round (rebate)	■
	24 round (flush)	■
Hub	9 mm	■
Suitable for the use on fire- and smoke control doors	F	■
Tested acc. to DIN / EN	EN 179 	EN 1125 
	DIN 18 250	EN 12 209
<input checked="" type="checkbox"/> Yes - No <input type="checkbox"/> On request		
 Wooden door  Steel door		



Description

- Panic mortise lock
- Tested and approved acc. to **EN 179, EN 1125, DIN 18 250** and **EN 12 209**
- For double-leaf wooden- and steel fire and smoke control doors
- Face plate square on request
- Related counter lock GBS 94 on page 558

Individual stamping possible on request and at an extra charge.

Panic function E

Face plate finish	Backset in mm	Face plate form	Face plate 20 x 235 mm / PZ-72 (handle / knob execution)		Face plate 24 x 235 mm / PZ-72 (handle / knob execution)	
			DIN left	DIN right	DIN left	DIN right
Stainless steel	65	round	2093_ja02h34100	2093_ja02h34200	2093_ja02m34100	2093_ja02m34200
	80	round	2093_ma02h34100	2093_ma02h34200	2093_ma02m34100	2093_ma02m34200
	100	round	2093_qa02h34100	2093_qa02h34200	2093_qa02m34100	2093_qa02m34200

Panic function D

Face plate finish	Backset in mm	Face plate form	Face plate 20 x 235 mm / PZ-72		Face plate 24 x 235 mm / PZ-72	
			DIN left	DIN right	DIN left	DIN right
Stainless steel	65	round	2093_ja02h35100	2093_ja02h35200	2093_ja02m35100	2093_ja02m35200
	80	round	2093_ma02h35100	2093_ma02h35200	2093_ma02m35100	2093_ma02m35200
	100	round	2093_qa02h35100	2093_qa02h35200	2093_qa02m35100	2093_qa02m35200





Panic function B

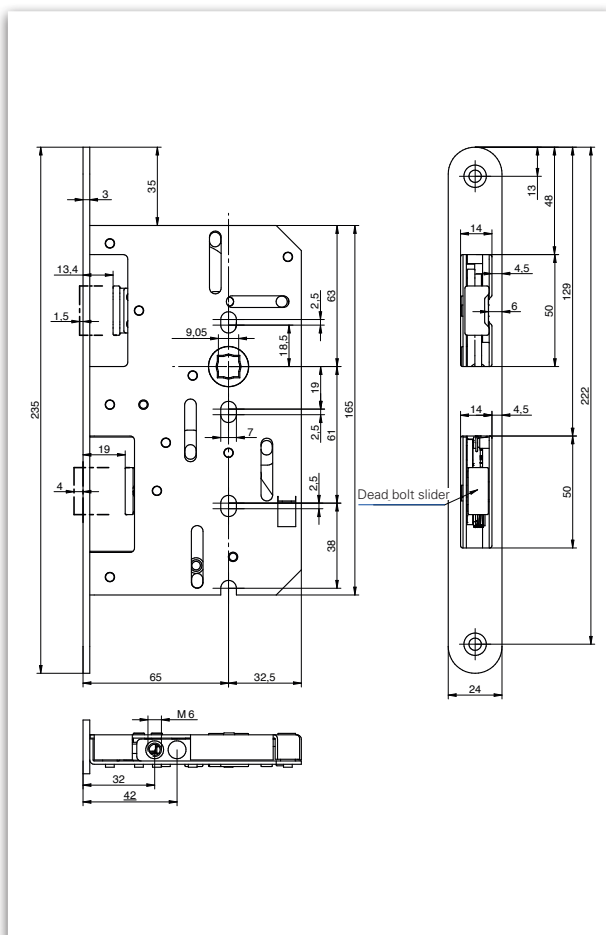
Face plate finish	Backset in mm	Face plate form	Face plate 20 x 235 mm / PZ-72		Face plate 24 x 235 mm / PZ-72	
			DIN left	DIN right	DIN left	DIN right
Stainless steel	65	round	2093_ja02h33100	2093_ja02h33200	2093_ja02m33100	2093_ja02m33200
	80	round	2093_ma02h33100	2093_ma02h33200	2093_ma02m33100	2093_ma02m33200
	100	round	2093_qa02h33100	2093_qa02h33200	2093_qa02m33100	2093_qa02m33200

Panic function C

Face plate finish	Backset in mm	Face plate form	Face plate 20 x 235 mm / PZ-72		Face plate 24 x 235 mm / PZ-72	
			DIN left	DIN right	DIN left	DIN right
Stainless steel	65	round	2093_ja02h32100	2093_ja02h32200	2093_ja02m32100	2093_ja02m32200
	80	round	2093_ma02h32100	2093_ma02h32200	2093_ma02m32100	2093_ma02m32200
	100	round	2093_qa02h32100	2093_qa02h32200	2093_qa02m32100	2093_qa02m32200



Product characteristics		
Panic function	with	■
	without	■
Locking	automatical	■
	manual	□
Face plate	Stainless steel	■
Backset / bar guidance (STF)	65 STF 32, 42 mm	■
	80 STF 47, 57 mm	■
	100 STF 67, 77 mm	□
Face plate width	20 round (rebate)	■
	24 round (flush)	■
Face plate type	Flat face plate	■
	Angle face plate	■
	Flap face plate	■
Hub	9 mm	■
Dead bolt contact switch		□
E-strike		□
Suitable for the use on fire- and smoke control doors	F	■
Tested and approved acc. to DIN / EN	EN 179 	EN 1125 
	EN 12 209	
■ Yes - No □ On request  Wooden door  Steel door		



Dimensioning: GBS 94

Description

- Counter lock / Drive bolt lock for passive leaf
- With (=full panic) or without panic release
- Suitable for fire- and smoke control doors
- Tested and approved acc. to **DIN 18 250** and **EN 12 209**
- Panic version: Tested and approved acc. to **EN 179** and **EN 1125**
- Dead bolt slider 4 mm rebounding
- Related lock for active leaf GBS 93 on page 556
- Necessary accessories: Locking rod above and below and switching lock
- Execution with E-strike on request (GBS 152 / GBS 156)

Individual stamping possible on request and at an extra charge.

Note:

Suitable accessories can be found from page 602.

With panic release (full panic) / flat face plate

Face plate finish	Backset in mm	Face plate form	Face plate 20 x 235 mm		Face plate 24 x 235 mm	
			DIN left	DIN right	DIN left	DIN right
Stainless steel	65	round	2094_j002h311g0	2094_j002h312g0	2094_j002m311g0	2094_j002m312g0
	80	round	2094_m002h311m0	2094_m002h312m0	2094_m002m311m0	2094_m002m312m0

With panic release (full panic) / angle face plate

Face plate finish	Backset in mm	Face plate form	Face plate 20 x 235 mm		Face plate 24 x 235 mm	
			DIN left	DIN right	DIN left	DIN right
Stainless steel	65	round	2094_j002v311g0	2094_j002v312g0	2094_j002w311g0	2094_j002w312g0
	80	round	2094_m002v311m0	2094_m002v312m0	2094_m002w311m0	2094_m002w312m0




With panic release (full panic) / lap face plate

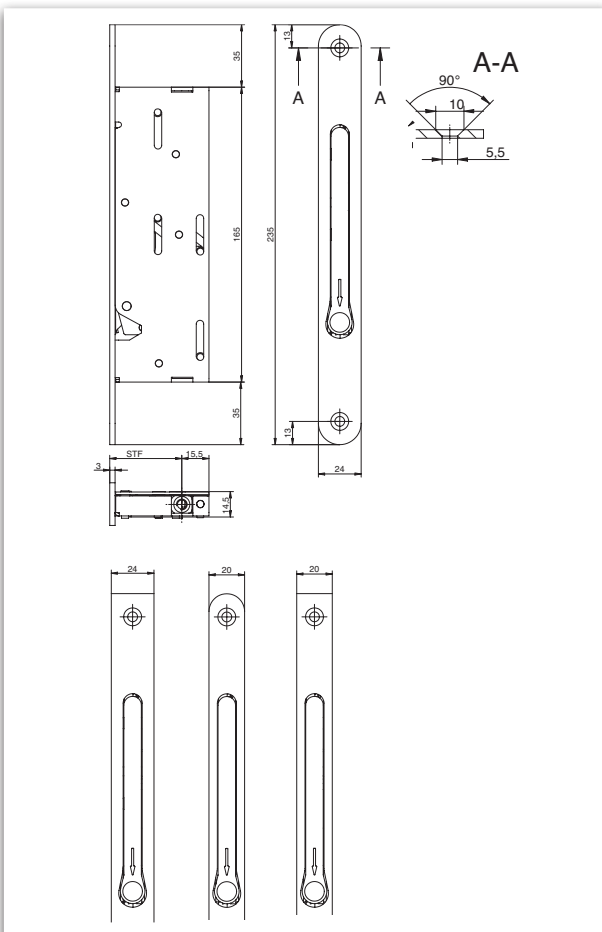
Face plate finish	Backset in mm	Face plate form	Face plate 20 x 235 mm		Face plate 24 x 235 mm	
			DIN left	DIN right	DIN left	DIN right
Stainless steel	65	round	2094_j002x311g0	2094_j002x312g0	2094_j002y311g0	2094_j002y312g0
	80	round	2094_m002x311m0	2094_m002x312m0	2094_m002y311m0	2094_m002y312m0

Without panic release (secured drive bolt lock) / flat face plate

Face plate finish	Backset in mm	Face plate form	Face plate 20 x 235 mm		Face plate 24 x 235 mm	
			DIN left	DIN right	DIN left	DIN right
Stainless steel	65	round	2094_j012h311g0	2094_j012h312g0	2094_j012m311g0	2094_j012m312g0
	80	round	2094_m012h311m0	2094_m012h312m0	2094_m012m311m0	2094_m012m312m0



Product characteristics		
Backset / bar guidance (STF)	25	■
	30	■
	35	■
	40	■
	45	■
	65	■
Face plate	Stainless steel	■
Face plate width	20	■
	24	■
Face plate width	18	□
Face plate shape	round / square	■
Suitable for the use on fire- and smoke control doors	F	■
Tested according to DIN / EN	EN 12 209	■
■ Yes - No □ On request		
 Wooden door  Steel door  Profile frame door		



Description

- Tested and approved acc. to **EN 12 209**
- Suitable for fire- and smoke control doors
- Necessary accessories: Locking rod above and below and switching lock
- Stainless steel operating lever
- Secured execution

Individual stamping possible on request and at an extra charge.

Dimensioning: GBS 94F

**GBS 94F ■ Rebate drive bolt lock**






Face plate finish	Backset	Face plate form	Face plate 20 x 235 mm
Stainless steel	25	round	2094Fb000h30000
	30	round	2094Fc000h30000
	35	round	2094Fd000h30000
	40	round	2094Fe000h30000
	45	round	2094Ff000h30000
	65	round	2094Fj000h30000

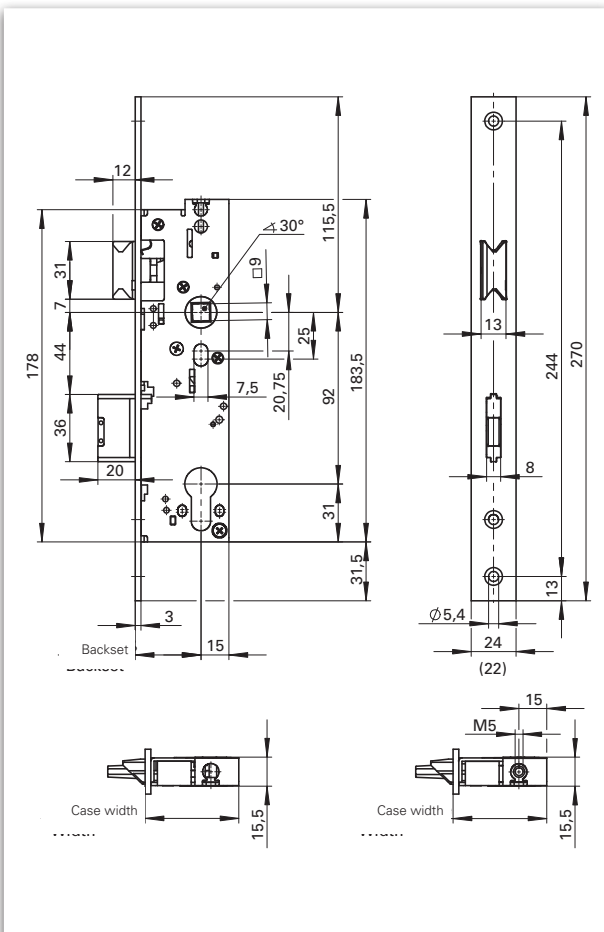
Face plate finish	Backset	Face plate form	Face plate 20 x 235 mm
Stainless steel	25	square	2094Fb000f30000
	30	square	2094Fc000f30000
	35	square	2094Fd000f30000
	40	square	2094Fe000f30000
	45	square	2094Ff000f30000
	65	square	2094Fj000f30000

Face plate finish	Backset	Face plate form	Face plate 24 x 235 mm
Stainless steel	25	round	2094Fb000m30000
	30	round	2094Fc000m30000
	35	round	2094Fd000m30000
	40	round	2094Fe000m30000
	45	round	2094Ff000m30000
	65	round	2094Fj000m30000

Face plate finish	Backset	Face plate form	Face plate 24 x 235 mm
Stainless steel	25	square	2094Fb000k30000
	30	square	2094Fc000k30000
	35	square	2094Fd000k30000
	40	square	2094Fe000k30000
	45	square	2094Ff000k30000
	65	square	2094Fj000k30000



Product characteristics		
Lock type	PZ-92	■
	RZ-94	□
Backset	30, 35, 40, 45	■
Panic function	B	■
	D	■
	E	■
	B- inwards	□
	D- inwards	□
Face plate	Stainless steel	■
Face plate width	24	■
	22	□
	24 x 6 U / 22 x 6 U	□
Face plate length	245	■
	275	■
Hub	9 mm	■
Suitable for the use on fire- and smoke control doors	F	■
Tested and approved acc. to DIN / EN	EN 179 	EN 1125 
	EN 12 209 	
■ Yes - No □ On request  Wooden door  Profile frame door		



Description

- Panic mortise lock
- Suitable for fire- and smoke control doors
- Tested and approved acc. to **EN 179, EN 1125** and **EN 12 209**
- Dead bolt exclusion: 20 mm- single turn
- Panic function E: DIN left / DIN right usable
- As option: prepared for top-locking
- Necessary accessories for top-locking: Locking rod above and snap lock
- Latch and dead bolt protruding 3 mm or 5 mm on request
- Dead bolt- or Hub monitoring on request

Individual stamping possible on request and at an extra charge.

Note:
Suitable accessories can be found from page 596.

Dimensioning: GBS 96

GBS 96 ■ Panic mortise lock for fire- and smoke control doors
Panic function E

Face plate finish	Backset in mm	Face plate form	Face plate 24 x 245 mm / PZ 92 (handle / knob execution)		Face plate 24 x 270 mm / PZ 92 (handle / knob execution)	
			DIN left / DIN right		DIN left / DIN right	
Stainless steel	30	square	2096acb02o34030		2096acb02q34030	
	35	square	2096adb02o34030		2096adb02q34030	
	40	square	2096aeb02o34030		2096aeb02q34030	
	45	square	2096afb02o34030		2096afb02q34030	

Panic function D

Face plate finish	Backset in mm	Face plate form	Face plate 24 x 245 mm / PZ 92		Face plate 24 x 270 mm / PZ 92	
			DIN left	DIN right	DIN left	DIN right
Stainless steel	30	square	2096acb02o35130	2096acb02o35230	2096acb02q35130	2096acb02q35230
	35	square	2096adb02o35130	2096adb02o35230	2096adb02q35130	2096adb02q35230
	40	square	2096aeb02o35130	2096aeb02o35230	2096aeb02q35130	2096aeb02q35230
	45	square	2096afb02o35130	2096afb02o35230	2096afb02q35130	2096afb02q35230

Panic function B

Face plate finish	Backset in mm	Face plate form	Face plate 24 x 245 mm / PZ 92		Face plate 24 x 270 mm / PZ 92	
			DIN left	DIN right	DIN left	DIN right
Stainless steel	30	square	2096acb02o33130	2096acb02o33230	2096acb02q33130	2096acb02q33230
	35	square	2096adb02o33130	2096adb02o33230	2096adb02q33130	2096adb02q33230
	40	square	2096aeb02o33130	2096aeb02o33230	2096aeb02q33130	2096aeb02q33230
	45	square	2096afb02o33130	2096afb02o33230	2096afb02q33130	2096afb02q33230

Prepared for top-locking
Panic function E

Face plate finish	Backset in mm	Face plate form	Face plate 24 x 245 mm / PZ 92 (handle / knob execution)		Face plate 24 x 270 mm / PZ 92 (handle / knob execution)	
			DIN left / DIN right		DIN left / DIN right	
Stainless steel	30	square	2096zcb02o34030		2096zcb02q34030	
	35	square	2096zdb02o34030		2096zdb02q34030	
	40	square	2096zeb02o34030		2096zeb02q34030	
	45	square	2096zfb02o34030		2096zfb02q34030	





Panic function D

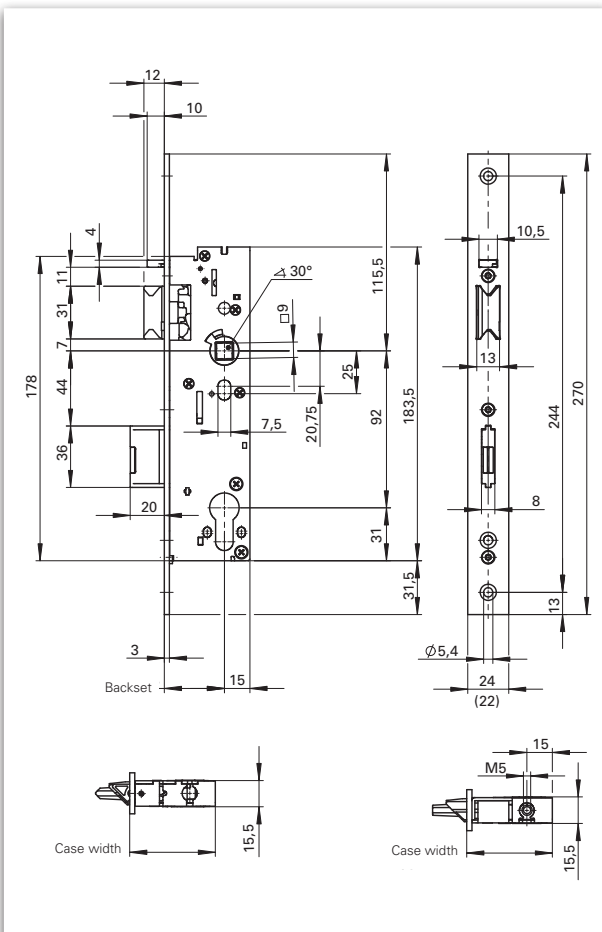
Face plate finish	Backset in mm	Face plate form	Face plate 24 x 245 mm / PZ 92		Face plate 24 x 270 mm / PZ 92	
			DIN left	DIN right	DIN left	DIN right
Stainless steel	30	square	2096zcb02o35130	2096zcb02o35230	2096zcb02q35130	2096zcb02q35230
	35	square	2096zdb02o35130	2096zdb02o35230	2096zdb02q35130	2096zdb02q35230
	40	square	2096zeb02o35130	2096zeb02o35230	2096zeb02q35130	2096zeb02q35230
	45	square	2096zfb02o35130	2096zfb02o35230	2096zfb02q35130	2096zfb02q35230

Panic function B

Face plate finish	Backset in mm	Face plate form	Face plate 24 x 245 mm / PZ 92		Face plate 24 x 270 mm / PZ 92	
			DIN left	DIN right	DIN left	DIN right
Stainless steel	30	square	2096zcb02o33130	2096zcb02o33230	2096zcb02q33130	2096zcb02q33230
	35	square	2096zdb02o33130	2096zdb02o33230	2096zdb02q33130	2096zdb02q33230
	40	square	2096zeb02o33130	2096zeb02o33230	2096zeb02q33130	2096zeb02q33230
	45	square	2096zfb02o33130	2096zfb02o33230	2096zfb02q33130	2096zfb02q33230



Product characteristics		
Lock type	PZ-92	■
	RZ-94	□
Backset	30, 35, 40, 45	■
Panic function	B	■
	E	■
	B- inwards	□
Face plate	Stainless steel	■
Face plate width	24	■
	22	□
Face plate length	24 x 6 U / 22 x 6 U	□
	245	■
	270	■
Hub	9 mm	■
Suitable for the use on fire- and smoke control doors	F	■
Tested and approved acc. to DIN / EN	EN 179 	EN 1125 
	EN 12 209	
<p>■ Yes - No □ On request</p>		
<p> Wooden door  Profile frame door</p>		



Description

- Panic mortise lock
- Related lock for passive leaf GBS 98 on page 570
- Suitable for fire- and smoke control doors
- Tested and approved acc. to **EN 179, EN 1125** and **EN 12 209**
- Dead bolt exclusion: 20 mm- single turn
- Panic function E: DIN left / DIN right usable
- As option: prepared for top-locking
- Necessary accessories for top-locking: Locking rod above and snap lock
- Latch and dead bolt protruding 3 mm or 5 mm on request
- Dead bolt- or Hub monitoring on request

Individual stamping possible on request and at an extra charge.

Note:

Suitable accessories can be found from page 596.

Dimensioning: GBS 96 AVP

**Panic function E**

Face plate finish	Backset in mm	Face plate form	Face plate 24 x 245 mm (handle / knob execution)	Face plate 24 x 270 mm (handle / knob execution)
			DIN left / DIN right	DIN left / DIN right
Stainless steel	30	square	2096acbS2o34030	2096acbS2q34030
	35	square	2096adbS2o34030	2096adbS2q34030
	40	square	2096aebS2o34030	2096aebS2q34030
	45	square	2096afbS2o34030	2096afbS2q34030

Panic function B

Face plate finish	Backset in mm	Face plate form	Face plate 24 x 245 mm		Face plate 24 x 270 mm	
			DIN left	DIN right	DIN left	DIN right
Stainless steel	30	square	2096acbS2o33130	2096acbS2o33230	2096acbS2q33130	2096acbS2q33230
	35	square	2096adbS2o33130	2096adbS2o33230	2096adbS2q33130	2096adbS2q33230
	40	square	2096aebS2o33130	2096aebS2o33230	2096aebS2q33130	2096aebS2q33230
	45	square	2096afbS2o33130	2096afbS2o33230	2096afbS2q33130	2096afbS2q33230





Prepared for top-locking**Panic function E**

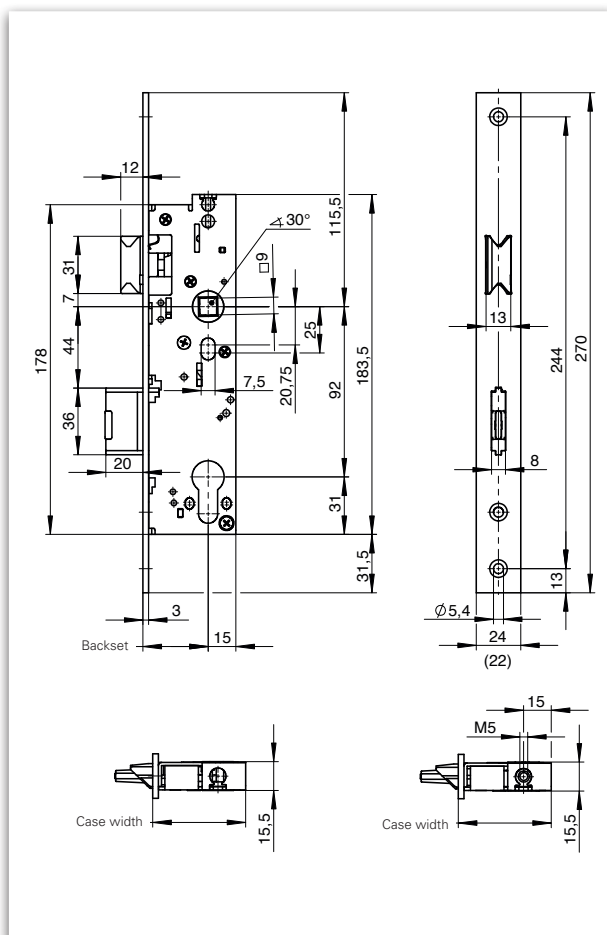
Face plate finish	Backset in mm	Face plate form	Face plate 24 x 245 mm (handle / knob execution)	Face plate 24 x 270 mm (handle / knob execution)
			DIN left / DIN right	DIN left / DIN right
Stainless steel	30	square	2096zcbS2o34030	2096zcbS2q34030
	35	square	2096zdbS2o34030	2096zdbS2q34030
	40	square	2096zebS2o34030	2096zebS2q34030
	45	square	2096zfbS2o34030	2096zfbS2q34030

Panic function B

Face plate finish	Backset in mm	Face plate form	Face plate 24 x 245 mm		Face plate 24 x 270 mm	
			DIN left	DIN right	DIN left	DIN right
Stainless steel	30	square	2096zcbS2o33130	2096zcbS2o33230	2096zcbS2q33130	2096zcbS2q33230
	35	square	2096zdbS2o33130	2096zdbS2o33230	2096zdbS2q33130	2096zdbS2q33230
	40	square	2096zebS2o33130	2096zebS2o33230	2096zebS2q33130	2096zebS2q33230
	45	square	2096zfbS2o33130	2096zfbS2o33230	2096zfbS2q33130	2096zfbS2q33230



Product characteristics			
Lock type	PZ-92	■	
	RZ-94	□	
Backset	30, 35, 40, 45	■	
	Panic function	B	■
		D	■
E		■	
Face plate	Stainless steel	■	
Face plate width	24	■	
	22	□	
	24 x 6 U / 22 x 6 U	□	
Face plate length	245	■	
	270	■	
Hub	9 mm	■	
Suitable for the use on fire- and smoke control doors	F	■	
Tested and approved acc. to DIN / EN	EN 179 	EN 1125 	
	EN 12 209		
<input checked="" type="checkbox"/> Yes - No <input type="checkbox"/> On request			
 Wooden door  Profile frame door			



Description

- Panic mortise lock for double-leaf profile frame doors
- Suitable for fire- and smoke control doors
- Tested and approved acc. to **EN 179, EN 1125** and **EN 12 209**
- Dead bolt exclusion: 20 mm- single turn
- Panic function E: DIN left / DIN right usable
- As option: prepared for top-locking
- Necessary accessories for top-locking: Locking rod above and snap lock
- Latch and dead bolt protruding 3 mm or 5 mm on request
- Dead bolt- or Hub monitoring on request

Individual stamping possible on request and at an extra charge.

Note:

Suitable accessories can be found from page 596.

Panic function E

Face plate finish	Backset in mm	Face plate form	Face plate 24 x 245 mm / PZ-92 (handle / knob execution)		Face plate 24 x 270 mm / PZ-92 (handle / knob execution)	
			DIN left / DIN right		DIN left / DIN right	
Stainless steel	30	square	2097acb02o34030		2097acb02q34030	
	35	square	2097adb02o34030		2097adb02q34030	
	40	square	2097aeb02o34030		2097aeb02q34030	
	45	square	2097afb02o34030		2097afb02q34030	

Panic function D

Face plate finish	Backset in mm	Face plate form	Face plate 24 x 245 mm / PZ-92		Face plate 24 x 270 mm / PZ-92	
			DIN left	DIN right	DIN left	DIN right
Stainless steel	30	square	2097acb02o35130	2097acb02o35230	2097acb02q35130	2097acb02q35230
	35	square	2097adb02o35130	2097adb02o35230	2097adb02q35130	2097adb02q35230
	40	square	2097aeb02o35130	2097aeb02o35230	2097aeb02q35130	2097aeb02q35230
	45	square	2097afb02o35130	2097afb02o35230	2097afb02q35130	2097afb02q35230

Panic function B

Face plate finish	Backset in mm	Face plate form	Face plate 24 x 245 mm / PZ-92		Face plate 24 x 270 mm / PZ-92	
			DIN left	DIN right	DIN left	DIN right
Stainless steel	30	square	2097acb02o33130	2097acb02o33230	2097acb02q33130	2097acb02q33230
	35	square	2097adb02o33130	2097adb02o33230	2097adb02q33130	2097adb02q33230
	40	square	2097aeb02o33130	2097aeb02o33230	2097aeb02q33130	2097aeb02q33230
	45	square	2097afb02o33130	2097afb02o33230	2097afb02q33130	2097afb02q33230

Prepared for top-locking
Panic function E

Face plate finish	Backset in mm	Face plate form	Face plate 24 x 245 mm / PZ-92 (handle / knob execution)		Face plate 24 x 270 mm / PZ-92 (handle / knob execution)	
			DIN left / DIN right		DIN left / DIN right	
Stainless steel	30	square	2097zcb02o34030		2097zcb02q34030	
	35	square	2097zdb02o34030		2097zdb02q34030	
	40	square	2097zeb02o34030		2097zeb02q34030	
	45	square	2097zfb02o34030		2097zfb02q34030	





Panic function D

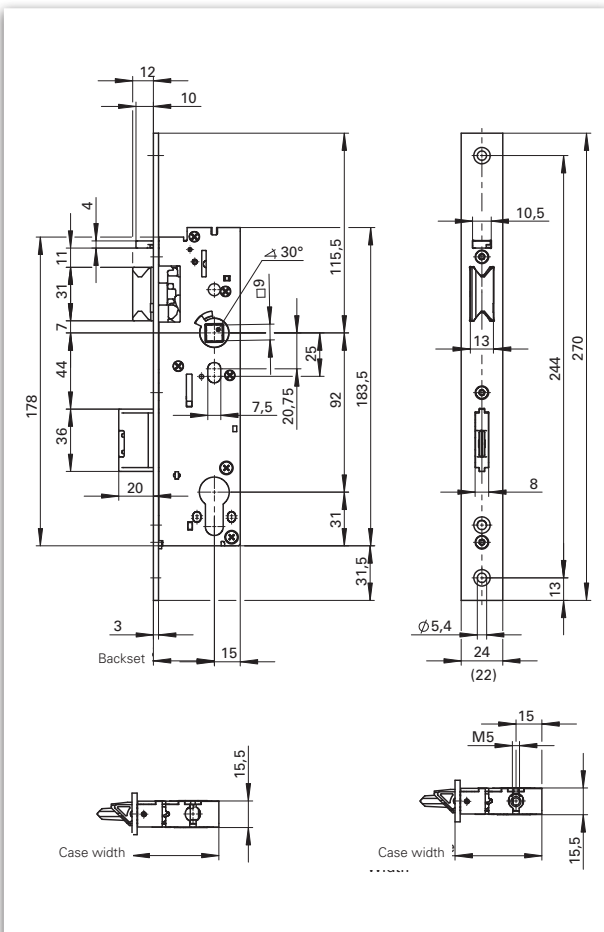
Face plate finish	Backset in mm	Face plate form	Face plate 24 x 245 mm / PZ-92		Face plate 24 x 270 mm / PZ-92	
			DIN left	DIN right	DIN left	DIN right
Stainless steel	30	square	2097zcb02o35130	2097zcb02o35230	2097zcb02q35130	2097zcb02q35230
	35	square	2097zdb02o35130	2097zdb02o35230	2097zdb02q35130	2097zdb02q35230
	40	square	2097zeb02o35130	2097zeb02o35230	2097zeb02q35130	2097zeb02q35230
	45	square	2097zfb02o35130	2097zfb02o35230	2097zfb02q35130	2097zfb02q35230

Panic function B

Face plate finish	Backset in mm	Face plate form	Face plate 24 x 245 mm / PZ-92		Face plate 24 x 270 mm / PZ-92	
			DIN left	DIN right	DIN left	DIN right
Stainless steel	30	square	2097zcb02o33130	2097zcb02o33230	2097zcb02q33130	2097zcb02q33230
	35	square	2097zdb02o33130	2097zdb02o33230	2097zdb02q33130	2097zdb02q33230
	40	square	2097zeb02o33130	2097zeb02o33230	2097zeb02q33130	2097zeb02q33230
	45	square	2097zfb02o33130	2097zfb02o33230	2097zfb02q33130	2097zfb02q33230



Product characteristics		
Lock type	PZ-92	■
	RZ-94	□
Backset	30, 35, 40, 45	■
Panic function	B	■
	E	■
Face plate	Stainless steel	■
Face plate width	24	■
	22	□
	24 x 6 U / 22 x 6 U	□
Face plate length	245	■
	270	■
Hub	9 mm	■
Suitable for the use on fire- and smoke control doors	F	■
Tested and approved acc. to DIN / EN	EN 179 	EN 1125 
	EN 12 209	
■ Yes - No □ On request		
 Wooden door  Profile frame door		



Description

- Panic mortise lock for double-leaf profile frame doors
- Related lock for passive leaf GBS 98 on page 570
- Suitable for fire- and smoke control doors
- Tested and approved acc. to **EN 179, EN 1125** and **EN 12 209**
- Dead bolt exclusion: 20 mm- single turn
- Panic function E: DIN left / DIN right usable
- As option: prepared for top-locking
- Necessary accessories for top-locking: Locking rod above and snap lock
- Latch and dead bolt protruding 3 mm or 5 mm on request
- Dead bolt- or Hub monitoring on request

Individual stamping possible on request and at an extra charge.

Note:
Suitable accessories can be found from page 596.

Dimensioning: GBS 97 AVP

Panic function E

Face plate finish	Backset in mm	Face plate form	Face plate 24 x 245 mm (handle / knob execution)	Face plate 24 x 270 mm (handle / knob execution)
			DIN left / DIN right	DIN left / DIN right
Stainless steel	30	square	2097acbS2o34030	2097acbS2q34030
	35	square	2097adbS2o34030	2097adbS2q34030
	40	square	2097aebS2o34030	2097aebS2q34030
	45	square	2097afbS2o34030	2097afbS2q34030

Panic function B

Face plate finish	Backset in mm	Face plate form	Face plate 24 x 245 mm		Face plate 24 x 270 mm	
			DIN left	DIN right	DIN left	DIN right
Stainless steel	30	square	2097acbS2o33130	2097acbS2o33230	2097acbS2q33130	2097acbS2q33230
	35	square	2097adbS2o33130	2097adbS2o33230	2097adbS2q33130	2097adbS2q33230
	40	square	2097aebS2o33130	2097aebS2o33230	2097aebS2q33130	2097aebS2q33230
	45	square	2097afbS2o33130	2097afbS2o33230	2097afbS2q33130	2097afbS2q33230






Prepared for top-locking
Panic function E

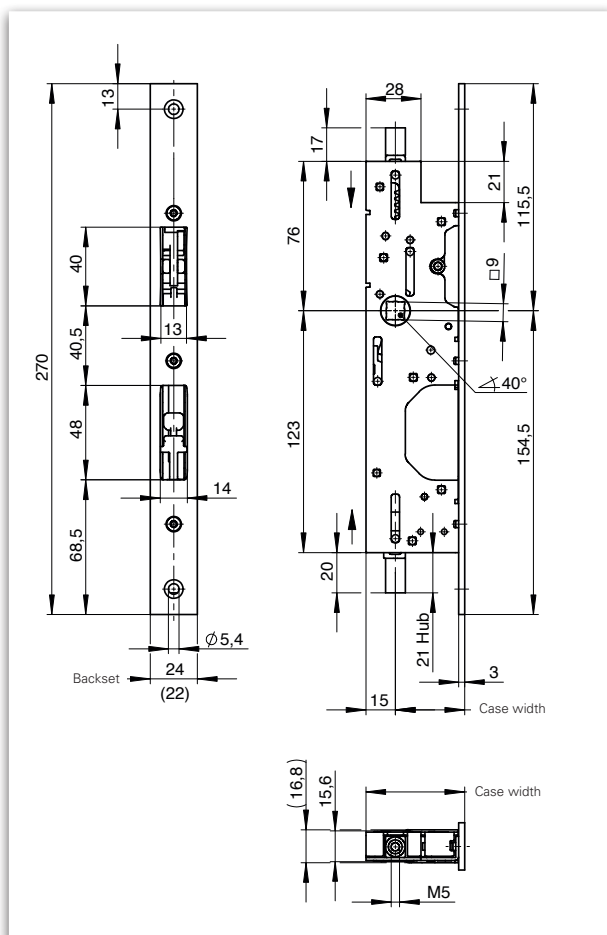
Face plate finish	Backset in mm	Face plate form	Face plate 24 x 245 mm (handle / knob execution)	Face plate 24 x 270 mm (handle / knob execution)
			DIN left / DIN right	DIN left / DIN right
Stainless steel	30	square	2097zcbS2o34030	2097zcbS2q34030
	35	square	2097zdbS2o34030	2097zdbS2q34030
	40	square	2097zebS2o34030	2097zebS2q34030
	45	square	2097zfbS2o34030	2097zfbS2q34030

Panic function B

Face plate finish	Backset in mm	Face plate form	Face plate 24 x 245 mm		Face plate 24 x 270 mm	
			DIN left	DIN right	DIN left	DIN right
Stainless steel	30	square	2097zcbS2o33130	2097zcbS2o33230	2097zcbS2q33130	2097zcbS2q33230
	35	square	2097zdbS2o33130	2097zdbS2o33230	2097zdbS2q33130	2097zdbS2q33230
	40	square	2097zebS2o33130	2097zebS2o33230	2097zebS2q33130	2097zebS2q33230
	45	square	2097zfbS2o33130	2097zfbS2o33230	2097zfbS2q33130	2097zfbS2q33230


GBS 98

Product characteristics		
Backset	30, 35, 40, 45, 50	■
Panic function		■
Face plate	Stainless steel	■
	Steel zinc-plated	■
Face plate width	24 Lap face plate	□
	24	■
	22	□
	24 x 6 U / 22 x 6 U	□
Face plate length	245	■
	270	■
Hub	9 mm	■
Dead bolt contact switch		□
Suitable for the use on fire- and smoke control doors	F	■
Tested and approved acc. to DIN / EN	EN 179	
	EN 1125	
	EN 12 209	
■ Yes - No □ On request		
	Wooden door	
		Profile frame door



Dimensioning: GBS 98

Description

- Panic-counter lock / Passive leaf lock
- Related active leaf locks GBS 97 / GBS 97 AVP- from page 566
- Suitable for double-leaf doors
- Tested and approved acc. to **EN 179, EN 1125** and **EN 12 209**
- Dead bolt- or Hub monitoring on request
- Execution with E-strike on request

Individual stamping possible on request and at an extra charge.


Note:

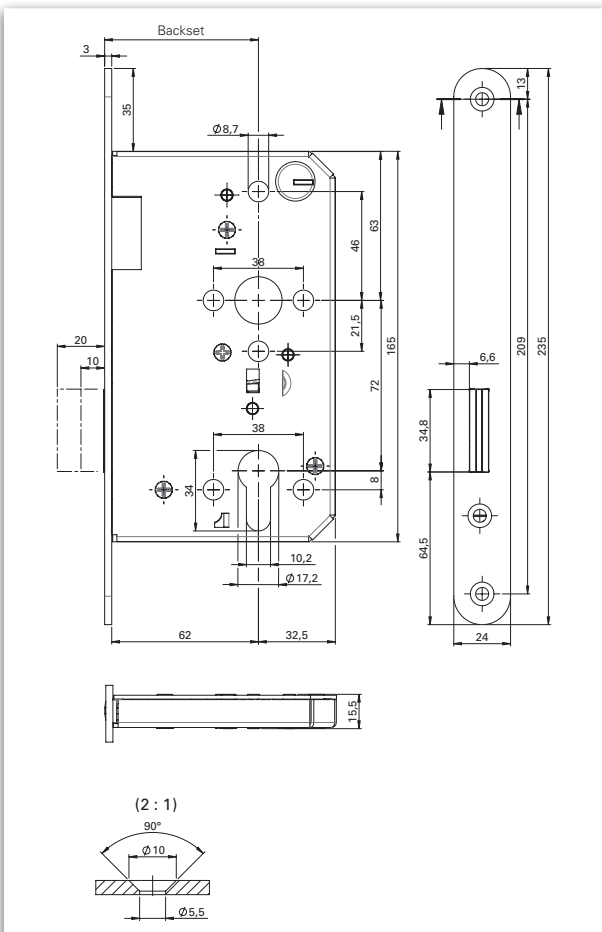
Suitable accessories can be found from page 595.

**GBS 98 ■ Counter lock / drive bolt lock for fire- and smoke control doors**

Face plate finish	Backset inmm	Face plate form	Face plate 24 x 245 mm		Face plate 24 x 270 mm	
			DIN left	DIN right	DIN left	DIN right
Stainless steel	30	square	2098ac002o31030	2098ac002o31030	2098ac002q31030	2098ac002q31030
	35	square	2098ad002o31030	2098ad002o31030	2098ad002q31030	2098ad002q31030
	40	square	2098ae002o31030	2098ae002o31030	2098ae002q31030	2098ae002q31030
	45	square	2098af002o31030	2098af002o31030	2098af002q31030	2098af002q31030
	50	square	2098ag002o31030	2098ag002o31030	2098ag002q31030	2098ag002q31030



Product characteristics		
Lock type	PZ-72	■
	RZ-74	□
Backset	65	■
Face plate	Stainless steel	■
Face plate width	20 round (rebate)	■
	24 round (flush)	■
■ Yes - No □ On request *Special clamping hub		
 Wooden door		


Description

- Dead bolt mortise lock
- Dead bolt steel zinc-plated, double-turn
- Case zinc-plated





Individual stamping possible on request and at an extra charge.

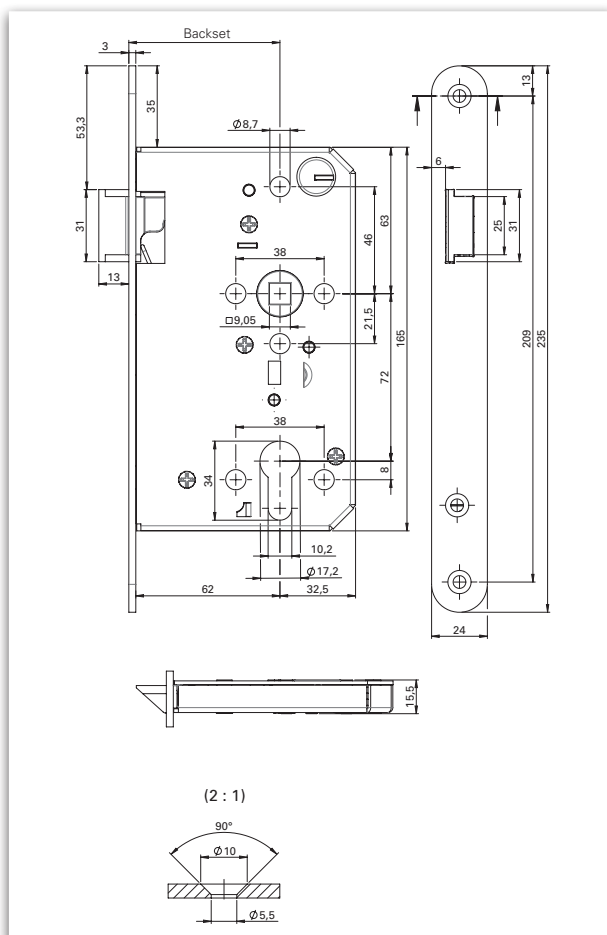
**GBS 108 (RI) ▪ Dead bolt lock**

Face plate finish	Backset in mm	Face plate form	Face plate 20 x 235 mm	
			DIN left	DIN right
Stainless steel	65	round	2081E0wN00BK011	2081E0wN00BK012

Face plate finish	Backset in mm	Face plate form	Face plate 24 x 235 mm	
			DIN left	DIN right
Stainless steel	65	round	2081E0wN00aK011	2081E0wN00aK012



Product characteristics		
Face plate	Stainless steel	■
Lock type	Only latch- PZ-72 (handle / knob execution)	■
	Only latch- RZ-74 (handle / knob execution)	□
Backset	65	■
	80	■
Face plate width	20	■
	24	■
Hub	9 mm	■
Suitable for the use on fire- and smoke protection doors	F	■
Tested according to DIN / EN	EN 179 	EN 1125 
	DIN 18 250	EN 12 209
■ Yes - No □ on request		
 Wooden door  Steel door		



Dimensioning: GBS 109 (81C)

Description



- Latch mortise lock for fire- and smoke control doors
- With change function
- Tested and approved acc. to **DIN 18 250, EN 12 209, EN 179, EN 1125**
- Smaller case on request (GBS 109k)
- Face plate square on request

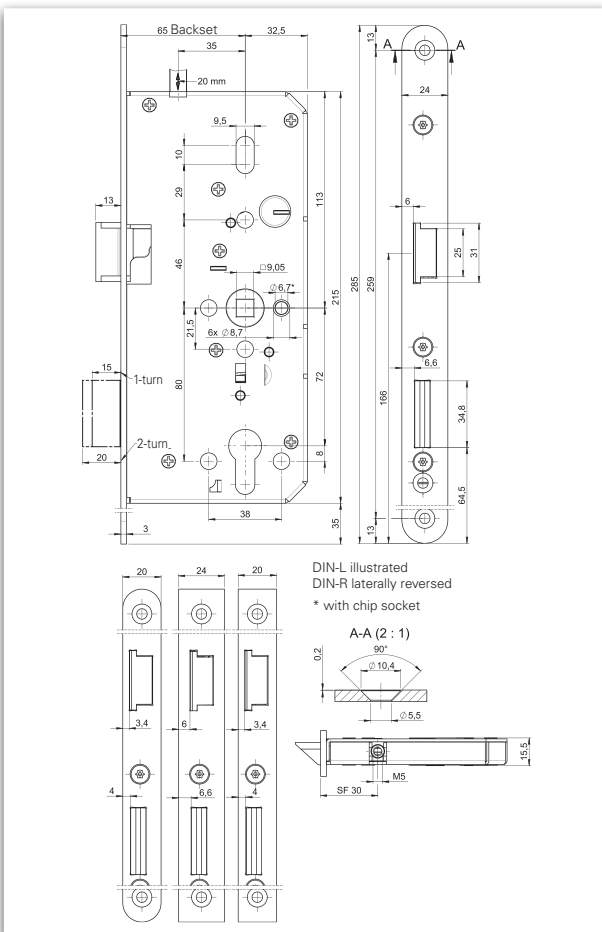
Individual stamping possible on request and at an extra charge.

**GBS 109 (81C) ■ Latch lock fo fire- and smoke control doors**

Face plate finish	Backset in mm	Face plate form	Face plate 20 x 235 mm		Face plate 24 x 235 mm	
			DIN left	DIN right	DIN left	DIN right
Stainless steel	65	round	2081C2AN40BK013	2081C2AN40BK014	2081C2AN40aK013	2081C2AN40aK014
	80	round	2081C2AR40BK013	2081C2AR40BK014	2081C2AR40aK013	2081C2AR40aK014



Product characteristics		
Lock types	PZ-72	■
	RZ-74	□
Backset	65	■
	80	■
Panic function	B B- inwards	■
	C C- inwards	■
	D D- inwards	■
	E	■
	without	■
Face plate	Stainless steel	■
Face plate width	20 round (rebate)	■
	24 round (flush)	■
Hub	9 mm	■
Suitable for the use on fire- and smoke control doors	F	■
Tested according to DIN / EN	EN 179 	EN 1125 
	DIN 18 250	EN 12 209
■ Yes - No □ On request		



Description

- Mortise lock for fire- and smoke control doors prepared for an additional upwards latch
- Tested and approved acc. to **DIN 18250** and **EN 12 209**
- Panic execution: Tested and approved acc. to **EN 179** and **EN 1125**
- Necessary accessories: Locking rod with spring and snap lock
- Face plate square on request

Individual stamping possible on request and at an extra charge.

Note:

Suitable accessories can be found from page 596.

Dimensioning: GBS 130

GBS 130 ■ Mortise lock for fire- and smoke control doors ■ Prepared for an additional upwards latch
GBS 130 without panic function

Face plate finish	Backset in mm	Face plate form	Face plate 20 x 285 mm / PZ-72 (handle / knob execution)		Face plate 24 x 285 mm / PZ-72 (handle / knob execution)	
			DIN left	DIN right	DIN left	DIN right
Stainless steel	65	round	20130ja02H30300	20130ja02H30400	20130ja02M30300	20130ja02M30400
	80	round	20130ma02H30300	20130ma02H30400	20130ma02M30300	20130ma02M30400

GBS 131 Panic function E

Face plate finish	Backset in mm	Face plate form	Face plate 20 x 285 mm / PZ-72 (handle / knob execution)		Face plate 24 x 285 mm / PZ-72 (handle / knob execution)	
			DIN left	DIN right	DIN left	DIN right
Stainless steel	65	round	20131ja02H34300	20131ja02H34400	20131ja02M34300	20131ja02M34400
	80	round	20131ma02H34300	20131ma02H34400	20131ma02M34300	20131ma02M34400

GBS 132 Panic function D

Face plate finish	Backset in mm	Face plate form	Face plate 20 x 285 mm / PZ-72		Face plate 24 x 285 mm / PZ-72	
			DIN left	DIN right	DIN left	DIN right
Stainless steel	65	round	20132ja02H35100	20132ja02H35200	20132ja02M35100	20132ja02M35200
	80	round	20132ma02H35100	20132ma02H35200	20132ma02M35100	20132ma02M35200

GBS 133 Panic function B

Face plate finish	Backset in mm	Face plate form	Face plate 20 x 285 mm / PZ-72		Face plate 24 x 285 mm / PZ-72	
			DIN left	DIN right	DIN left	DIN right
Stainless steel	65	round	20133ja02H33100	20133ja02H33200	20133ja02M33100	20133ja02M33200
	80	round	20133ma02H33100	20133ma02H33200	20133ma02M33100	20133ma02M33200

GBS 134 Panic function C

Face plate finish	Backset in mm	Face plate form	Face plate 20 x 285 mm / PZ-72		Face plate 24 x 285 mm / PZ-72	
			DIN left	DIN right	DIN left	DIN right
Stainless steel	65	round	20134ja02H32100	20134ja02H32200	20134ja02M32100	20134ja02M32200
	80	round	20134ma02H32100	20134ma02H32200	20134ma02M32100	20134ma02M32200

GBS 135 Panic function D inwards

Face plate finish	Backset in mm	Face plate form	Face plate 20 x 285 mm / PZ-72		Face plate 24 x 285 mm / PZ-72	
			DIN left	DIN right	DIN left	DIN right
Stainless steel	65	round	20135ja02H39100	20135ja02H39200	20135ja02M39100	20135ja02M39200
	80	round	20135ma02H39100	20135ma02H39200	20135ma02M39100	20135ma02M39200



GBS 136 Panic function B inwards

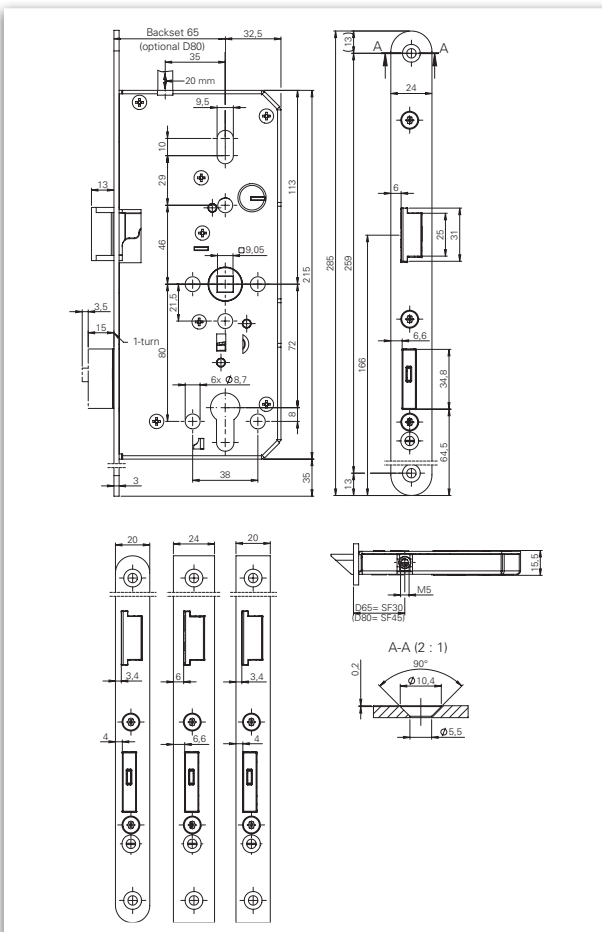
Face plate finish	Backset in mm	Face plate form	Face plate 20 x 285 mm / PZ-72		Face plate 24 x 285 mm / PZ-72	
			DIN left	DIN right	DIN left	DIN right
Stainless steel	65	round	20136ja02H37100	20136ja02H37200	20136ja02M37100	20136ja02M37200
	80	round	20136ma02H37100	20136ma02H37200	20136ma02M37100	20136ma02M37200

GBS 131 Panic function C inwards

Face plate finish	Backset in mm	Face plate form	Face plate 20 x 285 mm / PZ-72		Face plate 24 x 285 mm / PZ-72	
			DIN left	DIN right	DIN left	DIN right
Stainless steel	65	round	20137ja02H38100	20137ja02H38200	20137ja02M38100	20137ja02M38200
	80	round	20137ma02H38100	20137ma02H38200	20137ma02M38100	20137ma02M38200



Product characteristics		
Lock types	PZ-72	■
	RZ-74	□
Backset	65	■
	80	■
Panic function	B	■
	C	■
	D	■
	E	■
	without	■
Face plate	Stainless steel	■
Face plate width	20 round (rebate)	■
	24 round (flush)	■
Hub	9 mm	■
Suitable for the use on fire- and smoke control doors	F	■
Tested according to DIN / EN	EN 179 	EN 1125 
	DIN 18 250	EN 12 209
■ Yes - No □ On request		



Description

- Mortise lock for fire- and smoke control doors prepared for an additional upwards latch
- Tested and approved acc. to **DIN 18250** and **EN 12 209**
- Panic execution: Tested and approved acc. to **EN 179** and **EN 1125**
- For double-leaf wooden- and steel doors as well as fire- and smoke control doors
- Necessary accessories: Locking rod with spring and snap lock
- Face plate square on request
- Related lock for passive leaf GBS 94 on page 558

Individual stamping possible on request and at an extra charge.

Note:

Suitable accessories can be found from page 596.

GBS 141 Panic function E

Face plate finish	Backset in mm	Face plate form	Face plate 20 x 285 mm / PZ-72 (handle / knob execution)		Face plate 24 x 285 mm / PZ-72 (handle / knob execution)	
			DIN left	DIN right	DIN left	DIN right
Stainless steel	65	round	20141ja02H34300	20141ja02H34400	20141ja02M34300	20141ja02M34400
	80	round	20141ma02H34300	20141ma02H34400	20141ma02M34300	20141ma02M34400

GBS 142 Panic function D

Face plate finish	Backset in mm	Face plate form	Face plate 20 x 285 mm / PZ-72		Face plate 24 x 285 mm / PZ-72	
			DIN left	DIN right	DIN left	DIN right
Stainless steel	65	round	20142ja02H35100	20142ja02H35200	20142ja02M35100	20142ja02M35200
	80	round	20142ma02H35100	20142ma02H35200	20142ma02M35100	20142ma02M35200



GBS 143 Panic function B

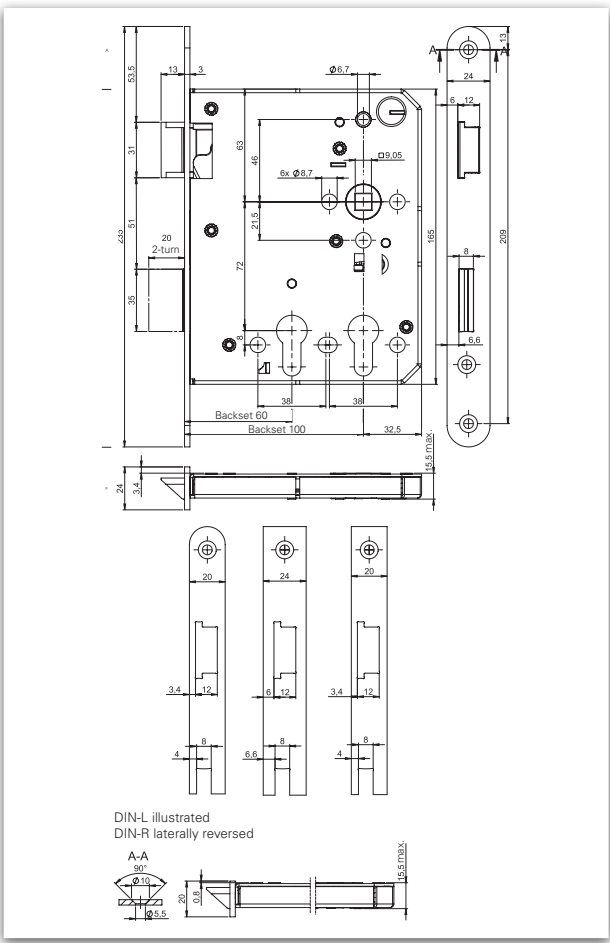
Face plate finish	Backset in mm	Face plate form	Face plate 20 x 285 mm / PZ-72		Face plate 24 x 285 mm / PZ-72	
			DIN left	DIN right	DIN left	DIN right
Stainless steel	65	round	20143ja02H33100	20143ja02H33200	20143ja02M33100	20143ja02M33200
	80	round	20143ma02H33100	20143ma02H33200	20143ma02M33100	20143ma02M33200

GBS 144 Panic function C

Face plate finish	Backset in mm	Face plate form	Face plate 20 x 285 mm / PZ-72		Face plate 24 x 285 mm / PZ-72	
			DIN left	DIN right	DIN left	DIN right
Stainless steel	65	round	20144ja02H32100	20144ja02H32200	20144ja02M32100	20144ja02M32200
	80	round	20144ma02H32100	20144ma02H32200	20144ma02M32100	20144ma02M32200



Product characteristics		
Lock type	PZ-72	■
	RZ-74	□
Backset	60 / 100	■
Face plate	Stainless steel	■
Face plate width	20	■
	24	■
Hub	9 mm	■
Suitable for the use on fire- and smoke control doors	F	■
Tested acc. to DIN / EN	DIN 18 250 EN 12 209	
■ Yes - No □ On request		
 Wooden door  Steel door		



Description

- Mortise lock for fire- and smoke control doors with two cylinder devices
- Tested and approved acc. to **DIN 18 250** and **EN 12 209**
- Face plate square on request



Individual stamping possible on request and at an extra charge.

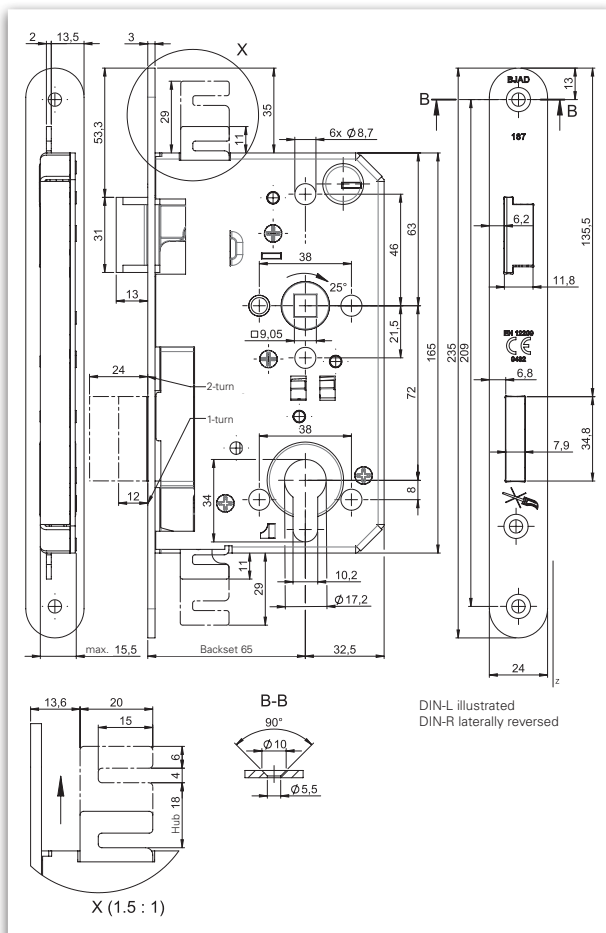
Dimensioning: GBS 180

**GBS 180 ■ Mortise lock for fire- and smoke control doors with two cylinder devices**

Face plate finish	Backset in mm	Face plate form	Face plate 20 x 235 mm		Face plate 24 x 235 mm	
			DIN left	DIN right	DIN left	DIN right
Stainless steel	60 / 100	round	20180ra02h30300	20180ra02h30400	20180ra02m30300	20180ra02m30400



Product characteristics		
Lock type	PZ-72 (handle / knob execution)	■
Backset	65	■
Face plate	Stainless steel	■
Face plate width	24	■
Hub	9 mm	■
Suitable for fire- and smoke control doors	F	■
Tested and approved acc. to DIN / EN	EN 12 209	
■ Yes - No ■ On request		
 Wooden door  Steel door		



Dimensioning: GBS 187

Description



- Main lock for multipoint locking
- Tested and approved acc. to **EN 12 209**
- Dead bolt actuation upwards and downwards
- Locking stroke: 18 mm
- Latch locking after 1st locking turn
- Application with additional swing dead bolt lock GBS 188 see page 584
- Connecting sleeve with thread intake for drive bolt rod on request

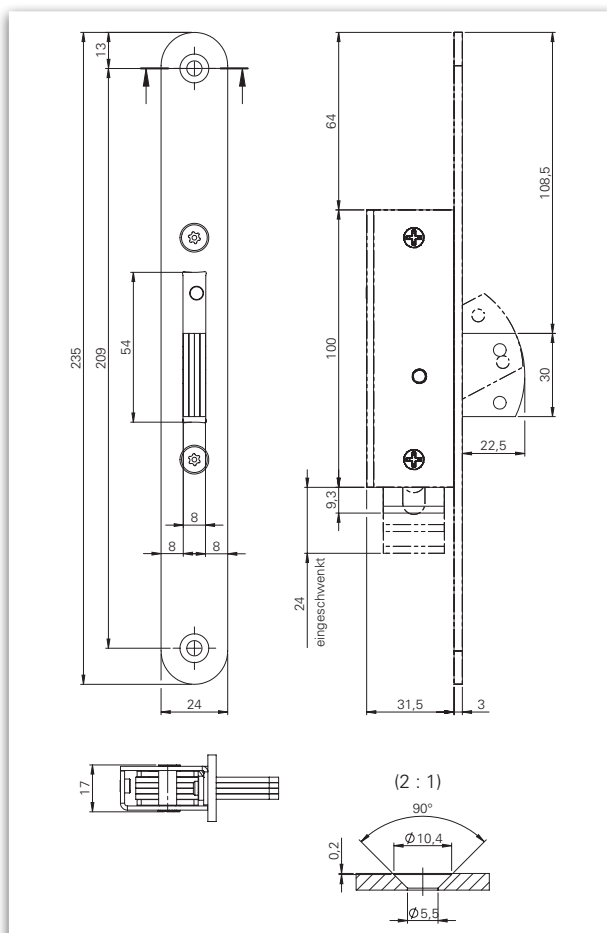
Individual stamping possible on request and at an extra charge.

**GBS 187 ▪ Multipoint locking for fire- and smoke control doors**

Face plate finish	Backset in mm	Face plate Form	Face plate 24 x 235 mm	
			DIN left	DIN right
Stainless steel	65	round	20180ra02m30300	20180ra02m30400



Product characteristics		
Face plate	Stainless steel	■
Face plate width	20	□
	24	■
Hub	9 mm	■
Suitable for the use on fire- and smoke control doors	F	■
Tested and approved acc. to DIN / EN	EN 12 209	
<input type="checkbox"/> Yes - <input type="checkbox"/> No <input type="checkbox"/> On request		
 Wooden door  Steel door		



Description

- Swing bolt as additional lock
- Applicable with main lock GBS 187 see page 582
- Connecting pieces according to specifications on request

Individual stamping possible on request and at an extra charge.

**GBS 188 ■ Additional lock with swing dead bolt**

Face plate finish	Face plate form	Face plate 24 x 235 mm DIN left / DIN right
Stainless steel	round	201880000m30000

GBS 190 - Main lock for three-latch locking for fire- and smoke control doors
GBS 190

Face plate finish	Backset in mm	Face plate form	Face plate 20 x 235 mm		Face plate 24 x 235 mm	
			DIN left	DIN right	DIN left	DIN right
Stainless steel	65	round	20190ja02h30100	20190ja02h30200	20190ja02m30100	20190ja02m30200

GBS 190 handle / knob execution

Face plate finish	Backset in mm	Face plate form	Face plate 20 x 235 mm		Face plate 24 x 235 mm	
			DIN left	DIN right	DIN left	DIN right
Stainless steel	65	round	20190ja02h30300	20190ja02h30400	20190ja02m30300	20190ja02m30400

GBS 191 Panic function E

Face plate finish	Backset in mm	Face plate form	Face plate 20 x 235 mm		Face plate 24 x 235 mm	
			DIN left	DIN right	DIN left	DIN right
Stainless steel	65	round	20190ja02h34300	20190ja02h34400	20190ja02m34300	20190ja02m34400

GBS 192 Panic function D

Face plate finish	Backset in mm	Face plate form	Face plate 20 x 235 mm		Face plate 24 x 235 mm	
			DIN left	DIN right	DIN left	DIN right
Stainless steel	65	round	20190ja02h35100	20190ja02h35200	20190ja02m35100	20190ja02m35200

GBS 193 Panic function B

Face plate finish	Backset in mm	Face plate form	Face plate 20 x 235 mm		Face plate 24 x 235 mm	
			DIN left	DIN right	DIN left	DIN right
Stainless steel	65	round	20190ja02h33100	20190ja02h33200	20190ja02m33100	20190ja02m33200

GBS 194 Panic function C

Face plate finish	Backset in mm	Face plate form	Face plate 20 x 235 mm		Face plate 24 x 235 mm	
			DIN left	DIN right	DIN left	DIN right
Stainless steel	65	round	20190ja02h32100	20190ja02h32200	20190ja02m32100	20190ja02m32200

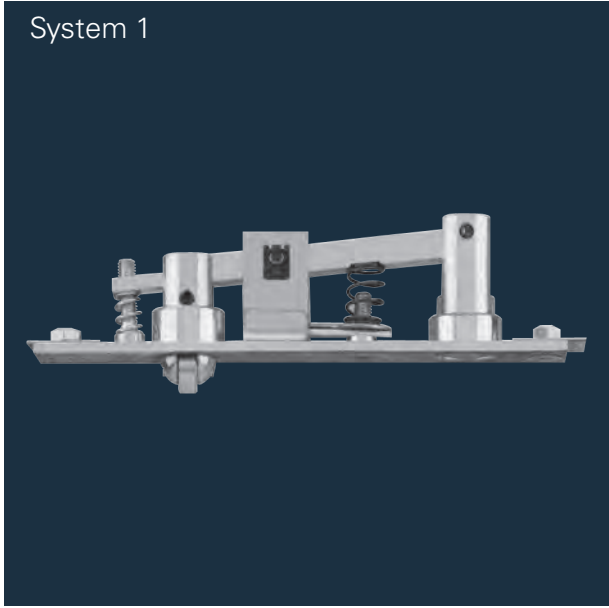


GBS 198 ▀ Additional latch lock of three-latch lock for fire- and smoke control doors

Face plate finish	Backset in mm	Face plate form	Face plate 20 x 170 mm		Face plate 24 x 170 mm	
			DIN left	DIN right	DIN left	DIN right
Stainless steel	65	round	20198j000D30100	20198j000D30100	20198j000J30100	20198j000J30100

**GBS 199 - Additional lock**

Face plate finish	Backset in mm	Face plate form	Face plate 20 x 170 mm		Face plate 24 x 170 mm	
			DIN left	DIN right	DIN left	DIN right
Stainless steel	65	round	20199j002D30100	20199j072D30200	20199j072J30100	20199j072J30200



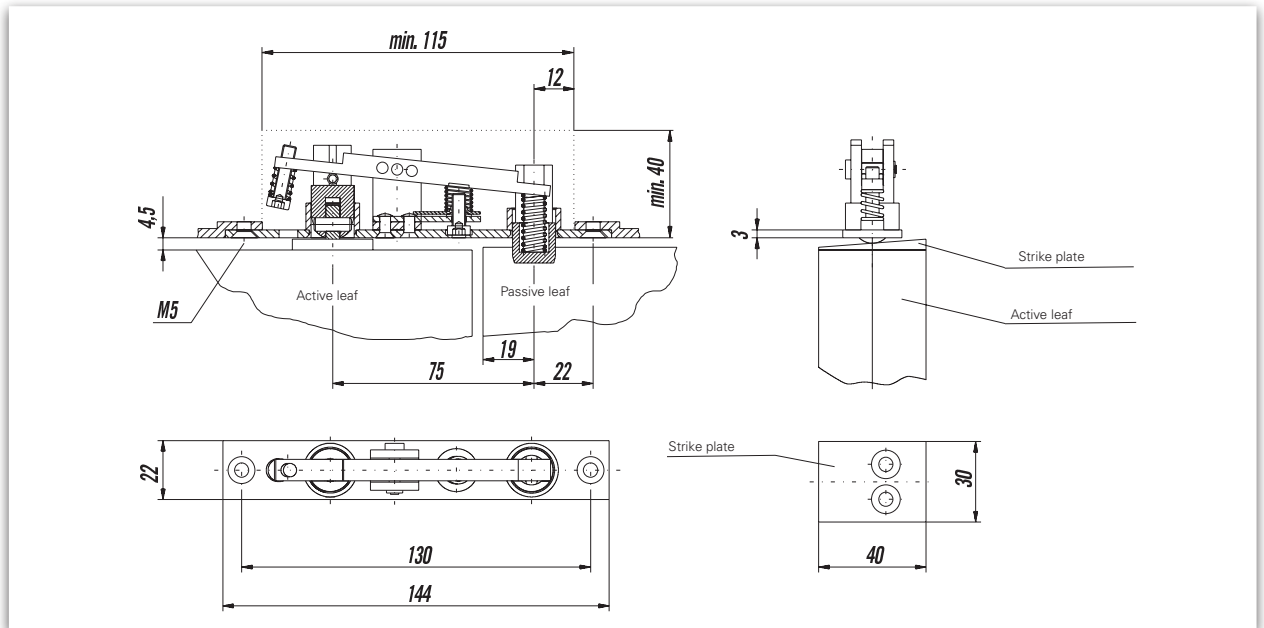
Dual locking device system 1

The passive door leaf is locked when the active door leaf is closed since the indexing bolt is pushed up, causing the locking bolt to engage in the passive door leaf. Drop stroke and resistance are adjustable.


The passive door leaf is likewise unlocked when the active door leaf is opened since the locking bolt is retracted by spring pressure. The pressure of the door closer ensures that the passive door leaf remains in closed position. Delivery includes striking plate.

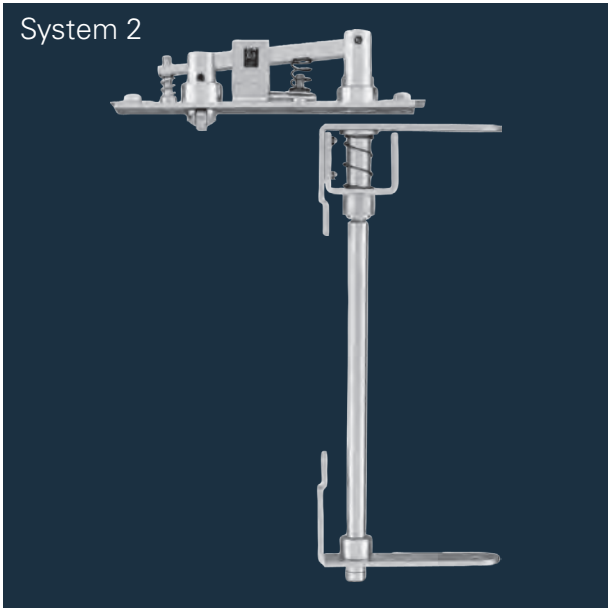
DIN left / DIN right usable.

	Article number
Dual locking device system 1	204585500000000



Dimensioning: Dual locking device system 1 with roller latch

 The dual locking device system 1 with roller latch is also available with standard latch. Please contact us if you need this execution.



Dual locking device system 2

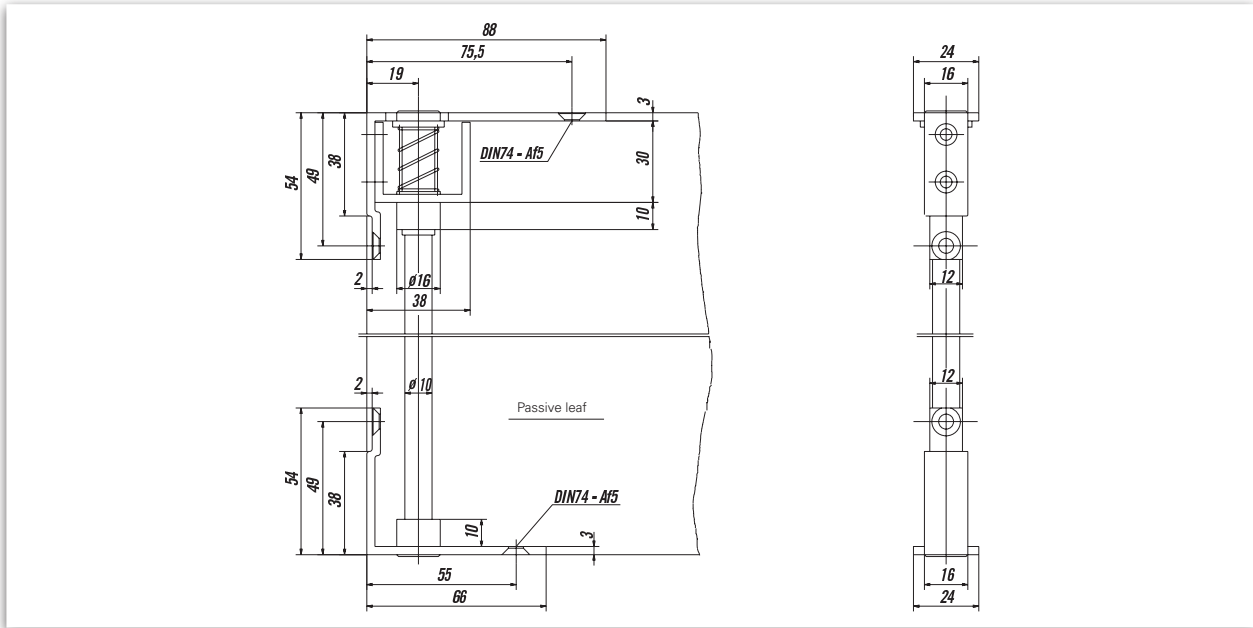
In addition to system I the top locking, the passive door leaf can also be locked at the bottom. A continuous locking bar is built into the passive door leaf in a resilient mounting.

The locking bolt presses against the locking bar which engages in the ground, securing the passive door leaf. When the active door leaf is opened, the locking bolt is pulled back and the locking bar is in its initial position. Scope of delivery included locking bar (2.500 mm).

DIN left / DIN right usable.


Taking into consideration a certification with tested fire-protection doors, this system can also be used as panic locking device.

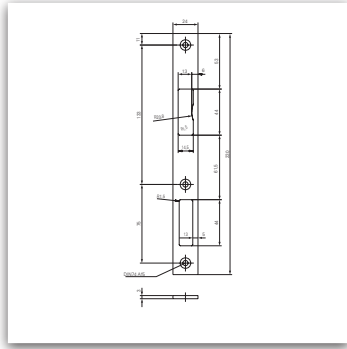
	Article number
Dual locking device system 2	20458650000000



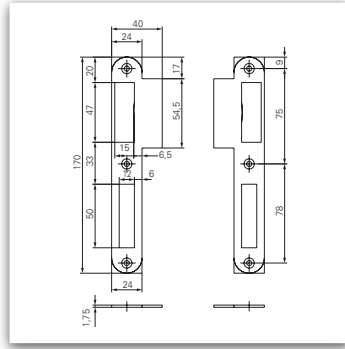
Dimensioning: Dual locking device system 2 with roller latch

4

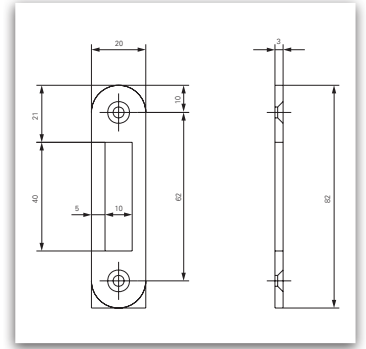
 The dual locking device system 2 with roller latch is also available with standard latch. Please contact us if you need this execution.



Dimensioning: Type 20



Dimensioning: Type 08



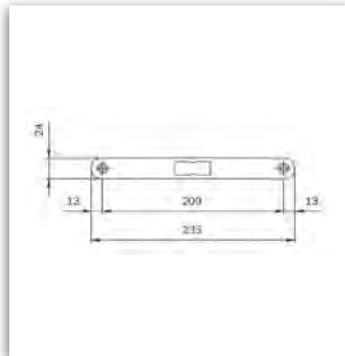
Dimensioning: Type 02

Strike plate

Type	Execution	Article number
02	square	2Z01020000ED000
08	round	2Z01080000RD000
	square	2Z01080000ED000
20	square	2Z01200000ED000



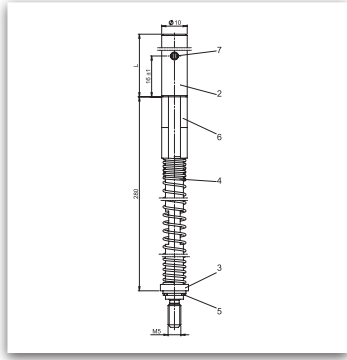
Illustration: Strike plate



Dimensioning: Strike plate

Strike plates GBS 82 and GBS 83

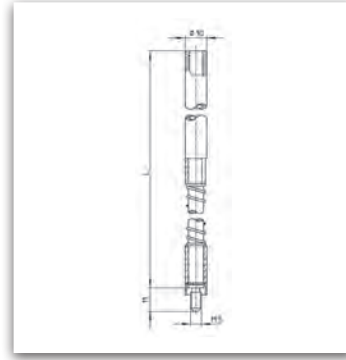
Dimensions	Article number
24 x 235 x 3 mm	2082000143



Dimensioning: Drive dead bolt rod GBS 130

Drive dead bolt rod GBS 13x / 14x

Length mm (B)	Article number
1.135	20940890
1.385	20940891
1.635	20940892
1.885	20940893
2.135	20940894
2.385	20940895
2.635	20940896

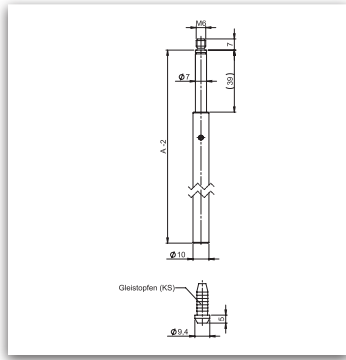


Dimensioning: Drive dead bolt rod GBS 96 / 97

Drive dead bolt rod GBS 96 / 97 above

Length mm (B)	Article number
1.400	20980110
1.900	20980109
2.400	20980108

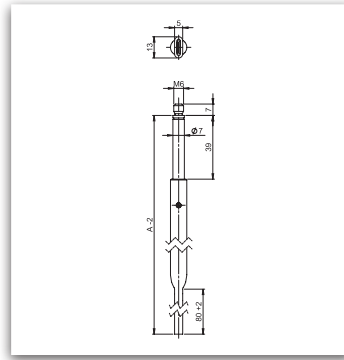




Dimensioning: Drive dead bolt rod Standard

Drive dead bolt rod Standard

Length mm (B)	Article number
450	20940850BVZ
500	20940851BVZ
635	20940852BVZ
700	20940853BVZ
760	20940854BVZ
885	20940855BVZ
950	20940856BVZ
1.000	20940857BVZ
1.010	20940858BVZ
1.135	20940859BVZ
1.200	20940860BVZ
1.385	20940861BVZ
1.500	20940862BVZ
2.000	20940863BVZ
2.500	20940864BVZ
3.000	20940865BVZ



Dimensioning: Drive dead bolt rod planet

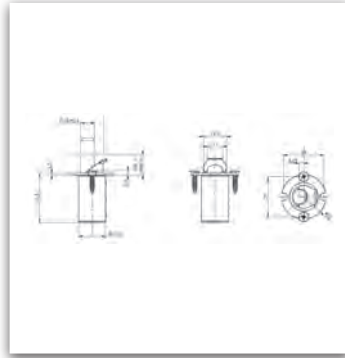
Drive dead bolt rod Standard planet

Length mm (B)	Article number
917	20940880BVZ
926	20940881BVZ
966	20940882BVZ
1.440	20940883BVZ
1.414	20940884BVZ





Illustration: Automatic relatching device



Dimensioning: Automatic relatching device



Illustration: Distance plate

Switch lock GBS 84

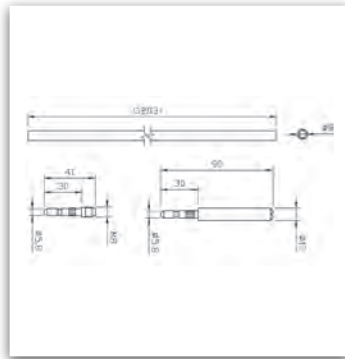
Dimensions	Article number
Ø 29 x 36 mm	20840000

Distance plate for automatic relatching device GBS 84

Dimensions (height)	Article number
1 mm	20840001
2 mm	20840002



Illustration: Drive dead bolt rod



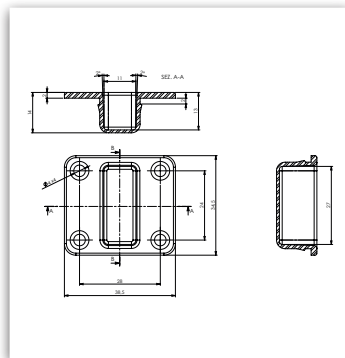
Dimensioning: Drive dead bolt rod

Drive dead bolt rod for GBS 84

Length in mm (A)	Article number
Ø 8 x 1.203 mm	20840007



Illustration: Above strike cap square



Dimensioning: Above strike cap

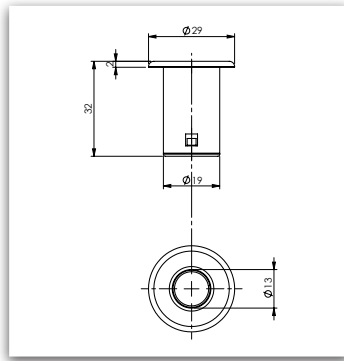
Above strike cap square GBS 84

Dimensions	Article number
38 x 34 mm	20840003

Accessories



Illustration: Floor mould



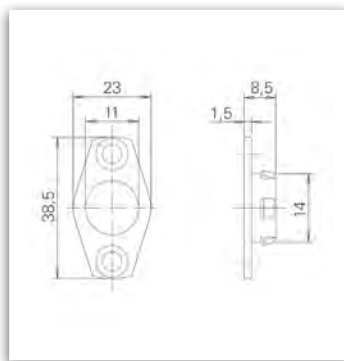
Dimensioning: Floor mould

Floor mould round GBS 84

Dimensions	Article number
29 x 32 mm	20840004



Illustration: Rod guidance



Dimensioning: Rod guidance



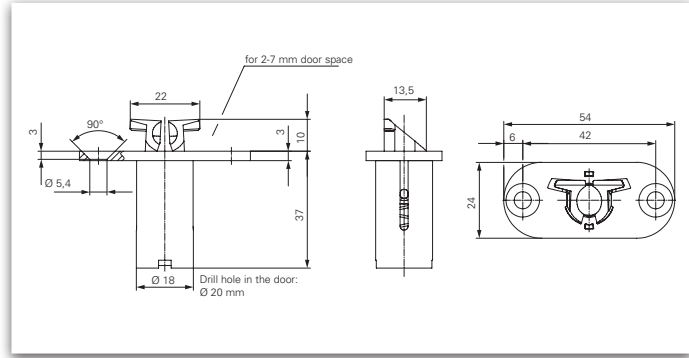
Illustration: Steel plate for rod guidance*

Rod guidance round GBS 84

Dimensions	Article number
29 x 16 mm	20840005
	20840006*



Illustration: Switch lock



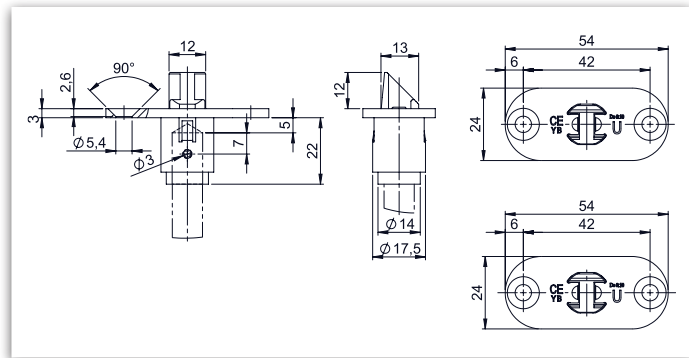
Dimensioning: Switch lock

Switch lock

Face plate	Article number
20 x 54 mm	20610220
24 x 54 mm	20610221



Illustration: Snap lock



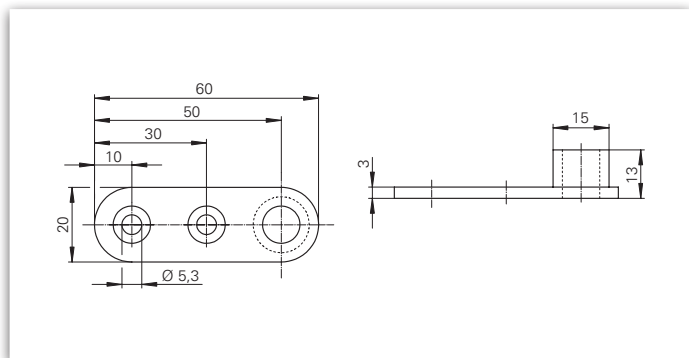
Dimensioning: Snap lock

Snap lock

Face plate	Article number
20 x 54 mm	20610222
24 x 54 mm	20610223



Illustration: Rod guidance below



Dimensioning: Rod guidance below

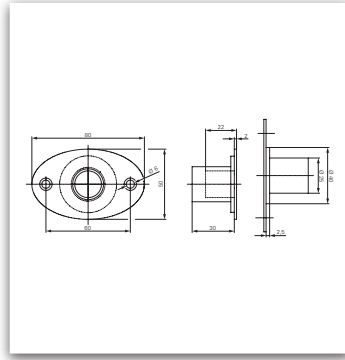
Rod guidance below

Face plate	Article number
20 x 60 mm	20940803BVZ

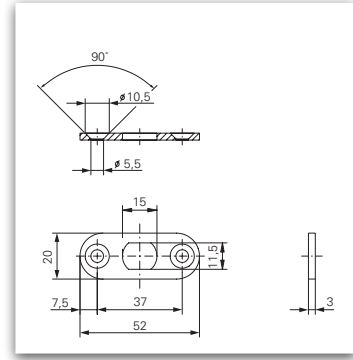
Accessories



Illustration: Floor mould



Dimensioning: Floor mould



Dimensioning: Strike plate above

Floor mould adjustable

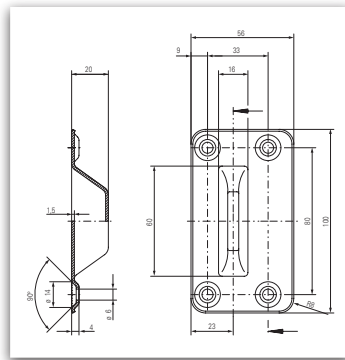
Face plate	Article number
50 x 80 mm	20980036

Strike plate standard above

Face plate	Article number
52 x 20 mm	2094080443



Illustration: Floor mould



Dimensioning: Floor mould

Floor mould

Face plate	Article number
100 x 56 mm	2098003146

Accessorie set GBS 94
Accessorie set for door height up to 2.600 mm - Face plate switch lock 20 mm

Consists of	Length (mm)	Face plate (mm)	Article number spare part	Article number Set
Drive dead bolt rod (below)	1.000		20940857BVZ	209405200000000
Drive dead bolt rod (above)	1.500		20940862BVZ	
Switch lock		24 x 54	20610221	
Strike plate above			2094080443	
Rod guidance below			20940803BVZ	
Floor mould		100 x 56	2098003146	

Accessorie set for door height up to 3.100 mm - Face plate switch lock 20 mm

Consists of	Length (mm)	Face plate (mm)	Article number spare part	Article number Set
Drive dead bolt rod (below)	1.000		20940857BVZ	209405250000000
Drive dead bolt rod (above)	2.000		20940863BVZ	
Switch lock		24 x 54	20610221	
Strike plate above			2094080443	
Rod guidance below			20940803BVZ	
Floor mould		100 x 56	2098003146	

Accessorie set for door height up to 2.600 mm - Face plate switch lock 24 mm

Consists of	Length (mm)	Face plate (mm)	Article number spare part	Article number Set
Drive dead bolt rod (below)	1.000		20940857BVZ	209405300000000
Drive dead bolt rod (above)	1.500		20940862BVZ	
Switch lock		20 x 54	20610220	
Strike plate above			2094080443	
Rod guidance below			20940803BVZ	
Floor mould		100 x 56	2098003146	

Accessorie set for door height up to 3.100 mm - Face plate switch lock 24 mm

Consists of	Length (mm)	Face plate (mm)	Article number spare part	Article number Set
Drive dead bolt rod (below)	1.000		20940857BVZ	209405350000000
Drive dead bolt rod (above)	2.000		20940863BVZ	
Switch lock		20 x 54	20610220	
Strike plate above			2094080443	
Rod guidance below			20940803BVZ	
Floor mould		100 x 56	2098003146	

Accessories

Accessorie set GBS 98

Accessorie set for door height up to 2.600 mm

Consists of	Length (mm)	Face plate (mm)	Article number spare part	Article number Set
Drive dead bolt rod (below)	980		20980100	209405500000000
Drive dead bolt rod (above)	1.500		20980113	
Switch lock		24 x 54	20610221	
Strike plate above			20980105	
Rod guidance below			20940803BVZ	
Floor mould		100 x 56	2098003146	

Accessorie set for door height up to 3.100 mm

Consists of	Length (mm)	Face plate (mm)	Article number spare part	Article number Set
Drive dead bolt rod (below)	980		20980100	209405550000000
Drive dead bolt rod (above)	2.000		20980117	
Switch lock		24 x 54	20610221	
Strike plate above			20980105	
Rod guidance below			20940803BVZ	
Floor mould		100 x 56	2098003146	

Accessorie set for door height up to 3.600 mm

Consists of	Length (mm)	Face plate (mm)	Article number spare part	Article number Set
Drive dead bolt rod (below)	980		20980100	209405600000000
Drive dead bolt rod (above)	2.500		20980118	
Switch lock		24 x 54	20610221	
Strike plate above			20980105	
Rod guidance below			20940803BVZ	
Floor mould		100 x 56	2098003146	

ECO Schulte GmbH & Co. KG
Iserlohner Landstraße 89
D - 58706 Menden

Telefon: +49 2373/9276-0
Fax: +49 2373/9276-40

info@eco-schulte.de
www.eco-schulte.de

© ECO Schulte GmbH & Co. KG - Änderungen vorbehalten
© ECO Schulte GmbH & Co. KG - Subject to change