

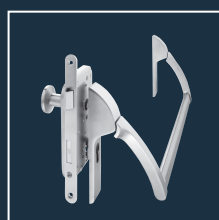
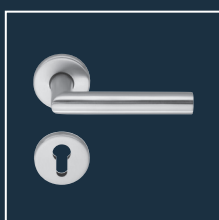
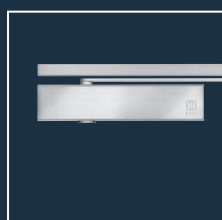
ECO
LE **FTS**-63/R



Product information

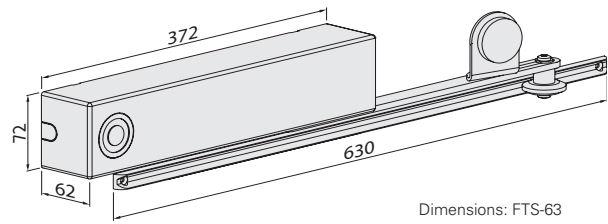


■ SYSTEM TECHNOLOGY FOR THE DOOR

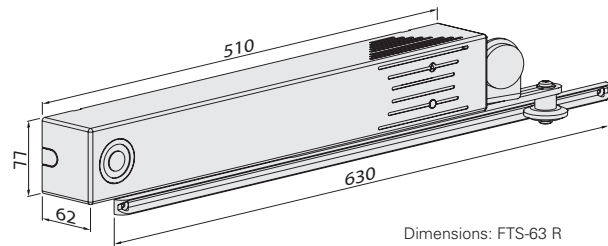


Product characteristics		FTS-63	FTS-63 R
Closing force (continuously adjustable)	Size acc. to EN	1 – 4 5 – 6	1 – 4 5 – 6
	Door width acc. to EN	≤ 1.100 mm	1 – 4
	≤ 1.400 mm	5 – 6	5 – 6
Dimensions (incl. mounting plate)	Length in mm	372	510
	Depth in mm	62	62
	Height in mm	72	77
DIN left / right (Please order the required variant)		■	■
Latching speed (continuously adjustable)		■	■
Back-check (continuously adjustable)		■	■
Closing speed (continuously adjustable)		■	■
Door opening angle		85° - 115°*	
Tested acc. to EN		EN 1155	
Suitable for fire- and smoke control doors		F	
Certified according to EU-Directive		CE	
*depending on door construction			

- Yes
- No
- Option



Dimensions: FTS-63



Dimensions: FTS-63 R




ECO FTS-63 / R ■ ... for special applications

With the FTS-63 / R hold-open door closer, ECO Schulte has developed a product for use in special-purpose buildings. Accordingly, the hold-open door closer is used mainly in retirement homes, kindergartens, schools, hospitals and other buildings in which doors have to be opened and closed with as little force as possible.

The FTS-63 / R is designed in such a way that an electromagnet holds the arm of the door closer in the open position. This means that the door is separated from the hold-open system, thus guaranteeing the free-running function. In combination with a separate and/or integrated smoke switching system, the magnet is deactivated either automatically or by means of a manual switch when smoke is detected, so that the door closer can assume its normal function and the arm closes the door.

The FTS-63 / R is available in two sizes 1 – 4 and 5 – 6 (tested acc. to **EN 1155**) for doors with max. 1.400 mm width.

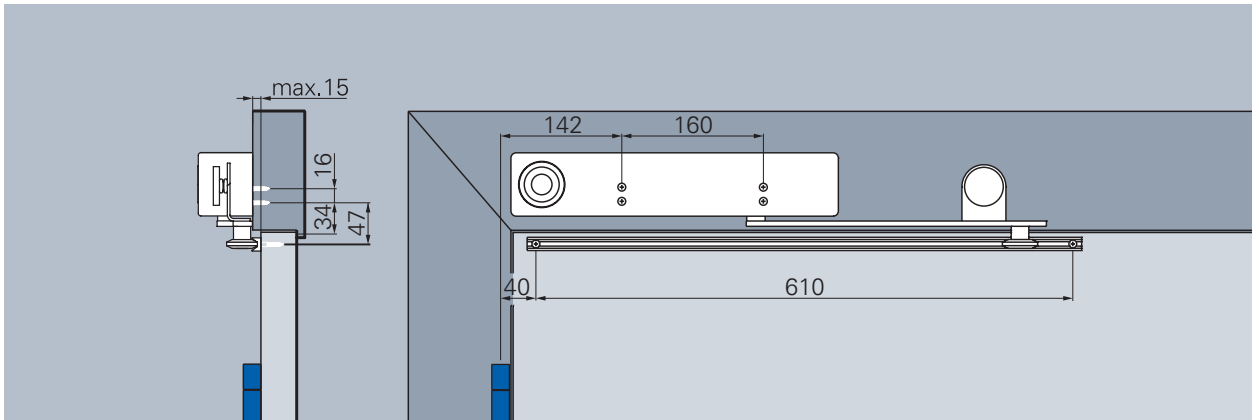
For double-leaf doors, the FTS 63-R can be combined with the closing sequence control ECO SR-BG (with pivot hinge on the active leaf and TS 61/41 on the passive leaf). The free-running function is only active for the active leaf, the passive leaf does not have any hold-open or free-running function and closes automatically.



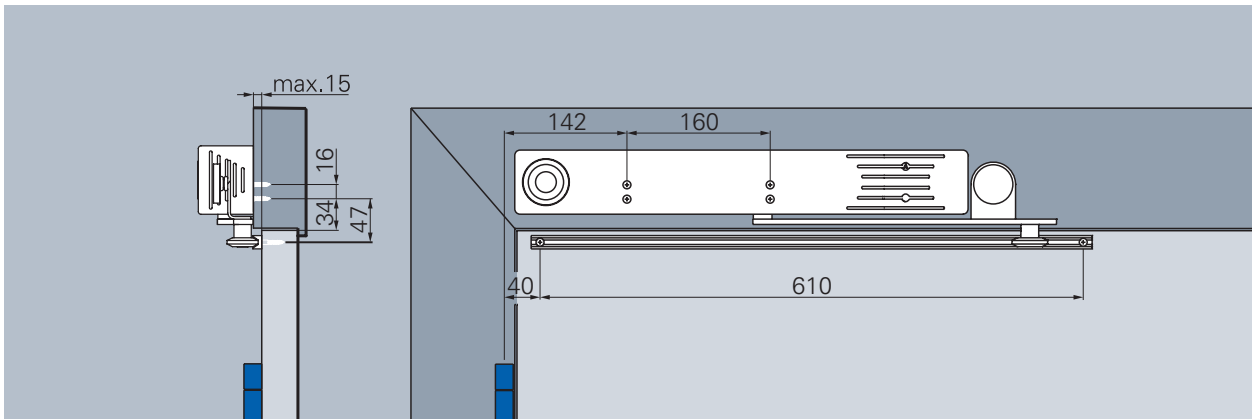
According to the DIBt (German Construction Technology Institute) guidelines for hold-open systems for fire-retarding and smoke protection doors, a red manual switch with the inscription "Close Door" must be installed in a clearly visible, easily accessible place in their immediate proximity.

Mounting

Illustration DIN left door, DIN right laterally reversed



Standard mounting, hinge side – FTS-63



Standard mounting, hinge side – FTS-63 R

Closing speed

Continuously adjustable closing speed from 115° to 0°.

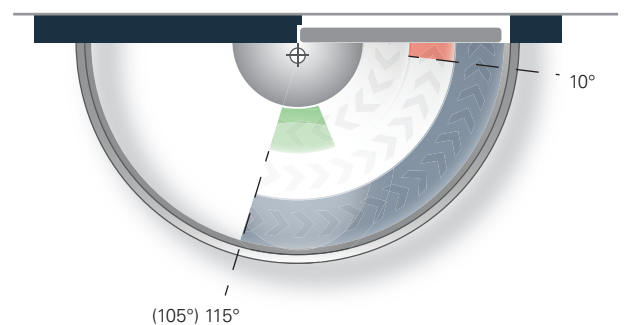
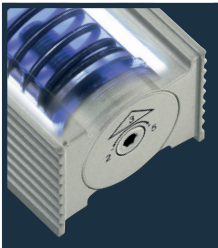
Latching speed

Increases the closing speed and thus the safe closing of the door, for example to overcome door seals, door locks and high air pressure. Continuously adjustable, works between 10 to 0°

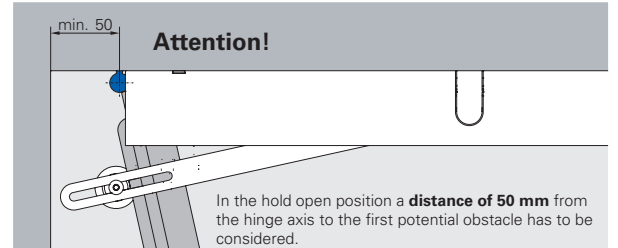
Back-check

Reduces the opening speed starting at 70° and avoids the slamming of the door. Back-check fixed

Closing force diagram FTS, hinge side

Closing force:	
Continuously adjustable	min. size 1 max. size 4
resp.	
Continuously adjustable	min. size 5 max. size 6
Default delivery condition:	size 3



Attention!

In the hold open position a **distance of 50 mm** from the hinge axis to the first potential obstacle has to be considered.

Order information

ECO FTS-63 /-63 R ■ Product description

Door closer with free-swinging function ECO FTS-63

- The free-swinging function is activated by locking the arm when opening once
- Opening angle, depending on notch of the door: 85°- 115° (115°- 145° on request)
- External power supply 24 V DC, in order to connect to an external smoke detector
- Closing force, closing speed, back check and latching speed continuously adjustable
- Head-mounting on hinge side, guiding rail on door leaf (optional)
- Adaptor profiles and axis extension for special structural conditions available

Door closer with free-swinging function ECO FTS-63 R

- The free-swinging function is activated by locking the arm when opening once
- Integrated smoke detector
- Opening angle, depending on notch of the door: 85°- 115° (115°- 145° on request)
- Power supply 230 V AC
- Closing force, closing speed, back-check and latching speed continuously adjustable
- Head-mounting on hinge side, guiding rail on door leaf (optional)
- Adaptor profiles and axis extension for special structural conditions available

According to the DIBt (German Construction Technology Institute) guidelines for hold-open systems for fire-retarding and smoke protection doors, a red manual switch with the inscription "Close Door" must be installed in a clearly visible, easily accessible place in their immediate proximity.

FTS-63 / R



Door closer without smoke detector	Colour	DIN	Article number
FTS-63 (1 – 4)	Stainless steel satin	DIN left	306153AB5Q05051
FTS-63 (1 – 4)	Stainless steel satin	DIN right	306153AB5Q05052
FTS-63 (5 – 6)	Stainless steel satin	DIN left	306153CB5Q05001
FTS-63 (5 – 6)	Stainless steel satin	DIN right	306153CB5Q05002



Door closer with smoke detector	Colour	DIN	Article number
FTS-63 R (1 – 4)	Stainless steel satin	DIN left	306153AB5Q05151
FTS-63 R (1 – 4)	Stainless steel satin	DIN right	306153AB5Q05152
FTS-63 R (5 – 6)	Stainless steel satin	DIN left	306153CB5Q05017
FTS-63 R (5 – 6)	Stainless steel satin	DIN right	306153CB5Q05018

ECO Schulte GmbH & Co. KG
Iserlohner Landstraße 89
D - 58706 Menden

Telefon: +49 2373/9276-0
Fax: +49 2373/9276-40

info@eco-schulte.de
www.eco-schulte.de

© ECO Schulte GmbH & Co. KG - Änderungen vorbehalten
© ECO Schulte GmbH & Co. KG - Subject to change