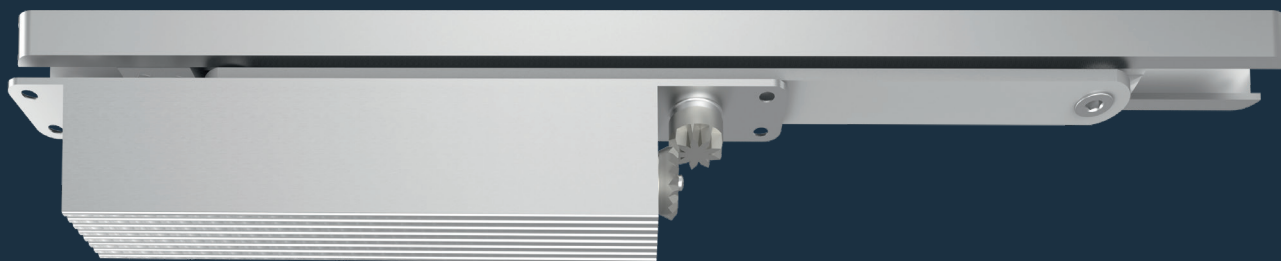
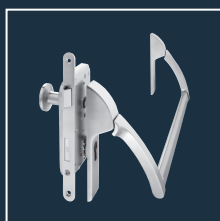
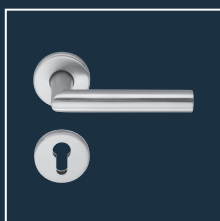


ECO ITS 420

Product information



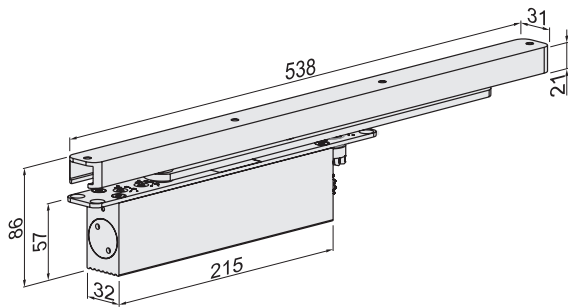
■ SYSTEM TECHNOLOGY FOR THE DOOR



Product characteristics

Closing force (with closing force display, continuously adjustable)	Size acc. to EN	2 – 4
Door width	≤ 1.100 mm	■
Dimensions	Length in mm	215
	Depth in mm	32
	Height in mm	57
DIN left / right		■
Latching speed (continuously adjustable)		■
Closing speed (continuously adjustable)		■
max. door opening angle (*depends on the notch of the door / a door stopper for opening limit is a must!)		120°*
Tested acc. to EN		EN 1154
Suitable for fire- and smoke control doors (no permission for head mounting on hinge-opposited side, concealed ITS)		F
Certified according to EU-Directive		CE
Construction of accessible buildings		DIN 18040

- Yes
- No
- Option



Dimensions: Example ITS 420 with slide rail IS 21



Steel door



Wooden door



Profile frame door

ITS 420

The ITS 420 is specially designed for light interior doors weighing up to 80 kg with a max. opening angle of 120°. Thanks to its transmission construction, it can be used as a DIN left or DIN right pendulum closer. The closing force is adjusted from above and adjustment is also possible after the door has been installed.

Order information

ECO ITS 420 ■ Concealed door closer

Product information

- ITS 420 for use in wooden doors, profile frame doors made of aluminium/steel and doors made of sheet steel starting from ≤ 40 mm door thickness. The very slim design (depth 32mm) enables an unproblematic and invisible mounting in the door leaf without any additional reinforcement
- The strongly decreasing opening moment allows an easier opening of the door
- Adjustment of closing force, even in mounted condition
- Easy handling of adjusting the closing speed and latching speed, even in mounted condition
- Default delivery condition with pre-adjustment of size **EN 3** and slide rail IS, optionally in 30 x 20 mm or 20 x 12 mm

Scope of Delivery:

Closer body, lock plate, arm, pivot screw and spacer

Article numbers



ITS 420 (incl. arm)	Rebate space (nut length)	Article number
ITS 420	8 – 12 mm	358040M00O00210
ITS 420	12 – 16 mm	358040M00O00211

Torque curve ECO ITS 420

The ECO ITS 420 meets all european standards for construction of accessible buildings with requirements for smooth-running doors with strongly decreasing opening moment and high efficiency.

Germany:

DIN Spec 1104, German version CEN/TR 15894

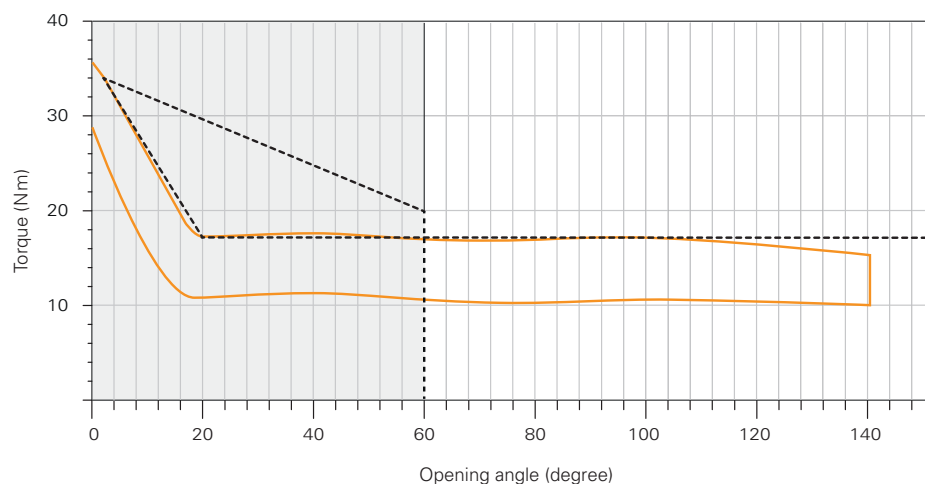
DIN 18040- Barrier free building (up to EN 4)

England:

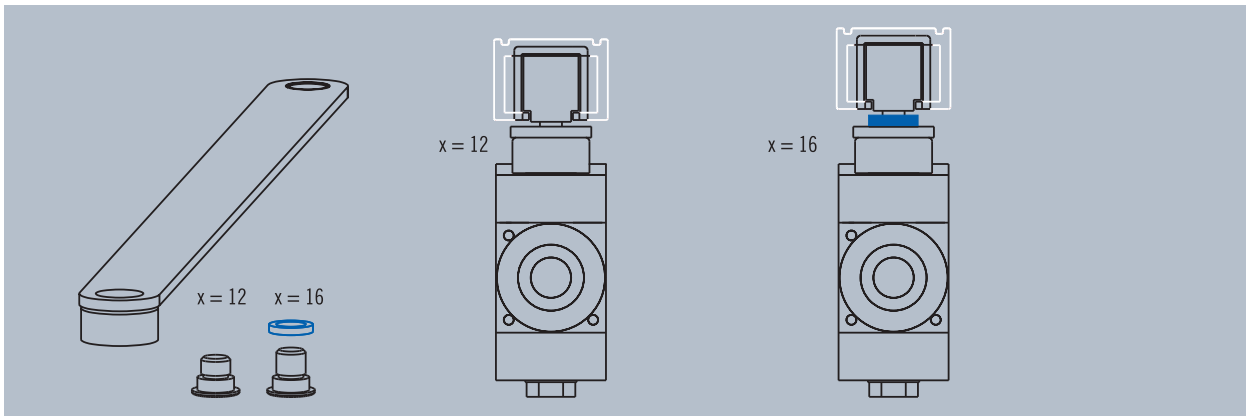
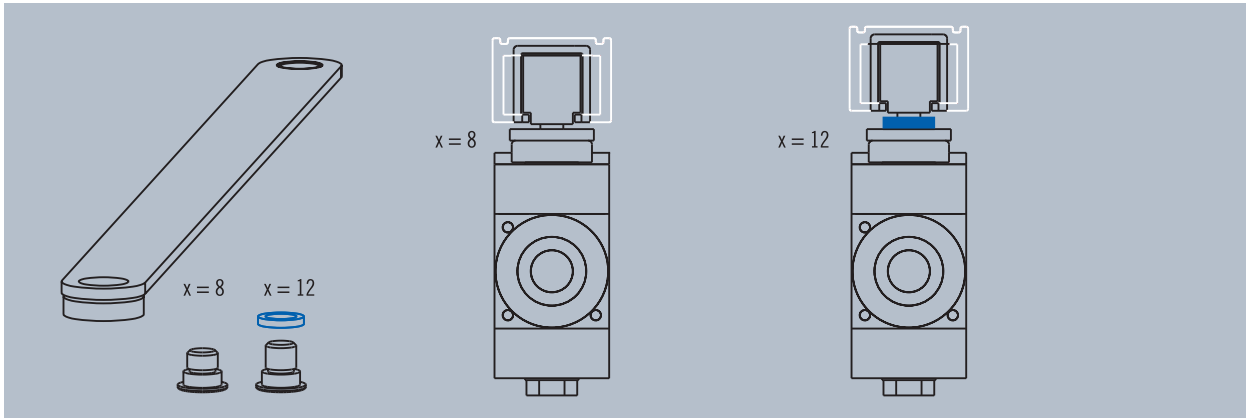
BS 8300:2001 DDA

France:

PMR



Rebate spaces (nut lengths)



The integrated ITS Multi-Genius door closer system can be used in different door profiles with different rebate space measurements. This is enabled by different counterflap lengths (x) on the arm.

Scope of Delivery : Closer body, arm, pivot screw including spacer (inset spacer optional)
The closer body remains unchanged

Please mention the correct counterflap length when ordering slide rails for Multi-Genius.

ECO Schulte GmbH & Co. KG
Iserlohner Landstraße 89
D - 58706 Menden

Telefon: +49 2373/9276-0
Fax: +49 2373/9276-40

info@eco-schulte.de
www.eco-schulte.de

© ECO Schulte GmbH & Co. KG - Änderungen vorbehalten
© ECO Schulte GmbH & Co. KG - Subject to change