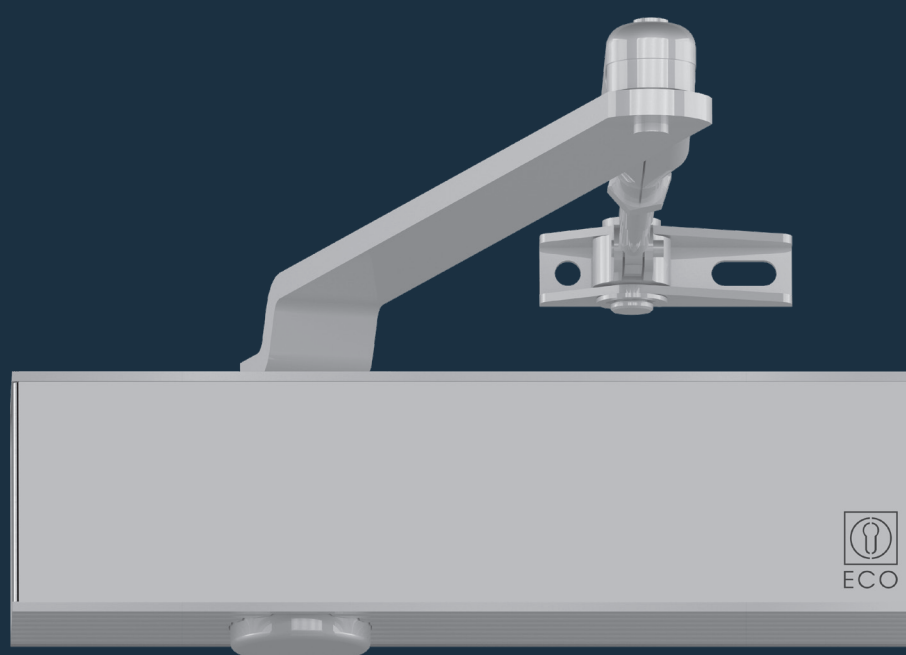


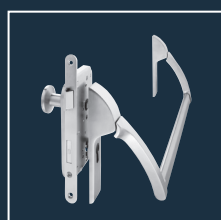
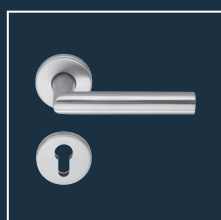
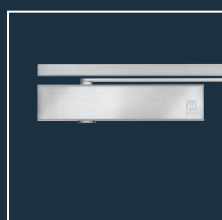
ECO **Newton** TS-14 EN



Product information



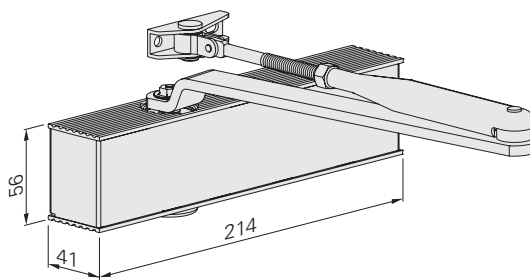
■ SYSTEM TECHNOLOGY FOR THE DOOR



Product characteristics

Closing force	Size acc. to EN	2/3/4
Door width	≤ 1.100 mm	■
Dimensions	Length in mm	214
	Depth in mm	41
	Height in mm	56
Mounting plate		□
Hinge side and hinge-opposite side		■
DIN left / right		■
Latching speed (adjustable from the side)		■
Closing speed (adjustable from the side)		■
Tested acc. to EN		EN 1154
Suitable for fire- and smoke control doors		F
Certified according to EU-Directive		CE

- Yes
- No
- Option



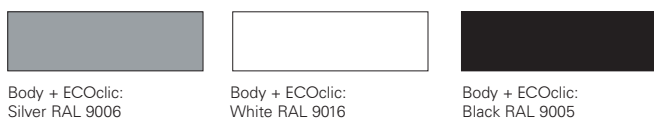
Dimensions: TS-14 EN



ECO Newton TS-14 EN ■ Highlights at a glance

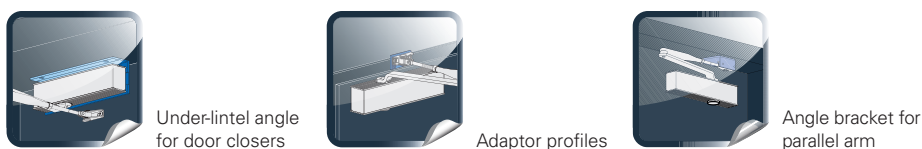


Details regarding the ECO Newton Highlights can be found in the intro of this chapter.



The standard arm is always delivered in the same colour as the ordered door closer body.

! Different closing forces are reached by moving the door closer on the door leaf.



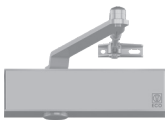
Order information

ECO **Newton** TS-14 EN ▪ Door closer with standard arm

Product information

- Closing force 2 / 3 / 4 (with mounting plate 3 / 4) acc. to EN (for door width up to 1.100 mm)
Adjustable by moving the door closer
- Latching speed and closing speed continuously adjustable from the side
- Same version DIN left and DIN right
- Mounting height only 41 mm
- Maximum door opening angle: 180°
- Mounting type hinge side – standard mounting (lead mounting)
- Mounting type hinge-opposite side – head mounting (frame mounting)

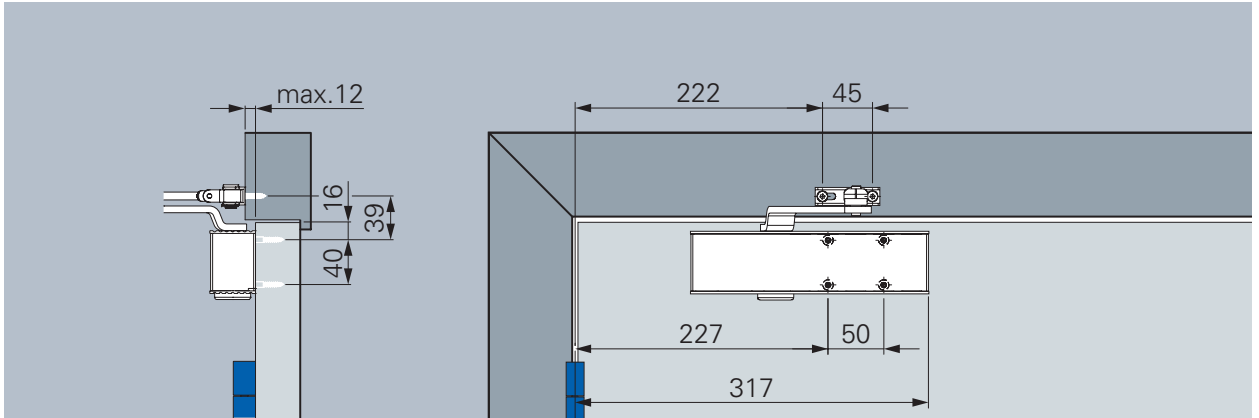
Article numbers



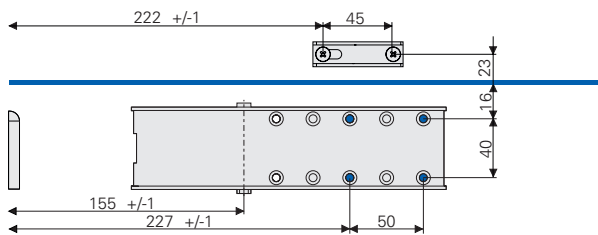
Door closer with standard arm	Colour		Article number		Mounting plate for TS-14 EN	Colour		Article number	
TS-14 EN (2/3/4)	Silver	RAL 9006	5030039305		MPL-14 EN (3/4)	Silver	RAL 9006	5030040766	
TS-14 EN (2/3/4)	White	RAL 9016	5030039306		MPL-14 EN (3/4)	White	RAL 9016	5030040768	
TS-14 EN (2/3/4)	Black	RAL 9005	5030039307		MPL-14 EN (3/4)	Black	RAL 9005	5030040769	

Hinge side

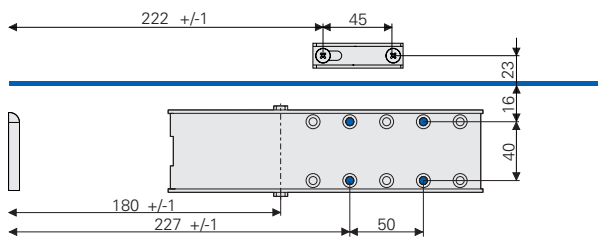
Illustration DIN left door, DIN right laterally reversed



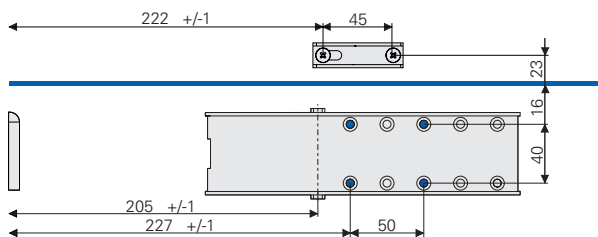
Standard mounting, hinge side (EN 3, direct mounting, without mounting plate)



Closing force EN 2



Closing force EN 3



Closing force EN 4

Closing force diagram ECO Newton TS-14 EN, hinge side



■ Closing speed

Continuously adjustable closing speed from approx. 180° to 0°

■ Latching speed

Increases the closing speed and thus the safe closing of the door, for example to overcome door seals, door locks and high air pressure.

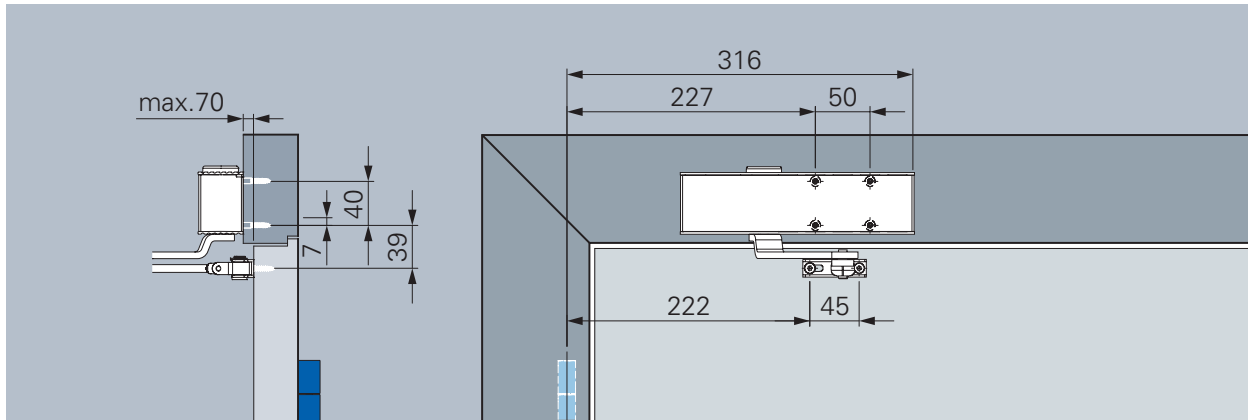
Continuously adjustable, works between 10 to 0°

Closing forces

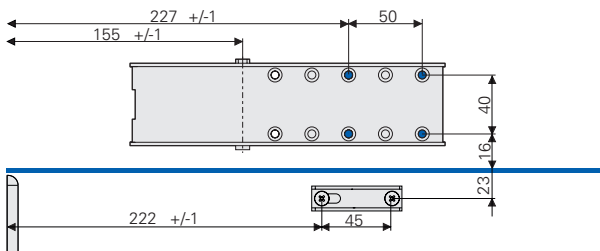
The different sizes are reached by moving the door closer on the door leaf.

Hinge-opposite side

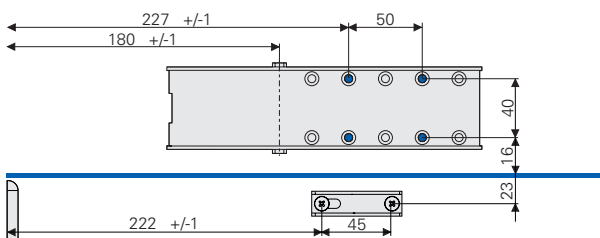
Illustration DIN right door, DIN left laterally reversed



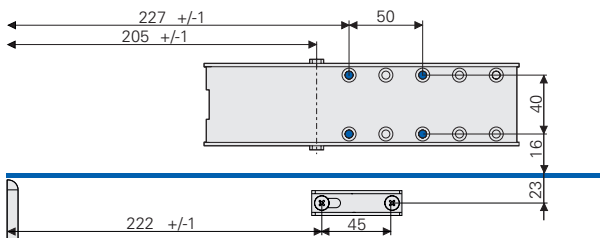
Head mounting, hinge-opposite side (EN 3, direct mounting, without mounting plate)



Closing force EN 2



Closing force EN 3



Closing force EN 4

Closing forces

The different sizes are reached by moving the door closer on the door frame.

Closing force diagram ECO Newton TS-14 EN, hinge-opposite side



Closing speed

Continuously adjustable closing speed from approx. 170°* to 0°

Latching speed

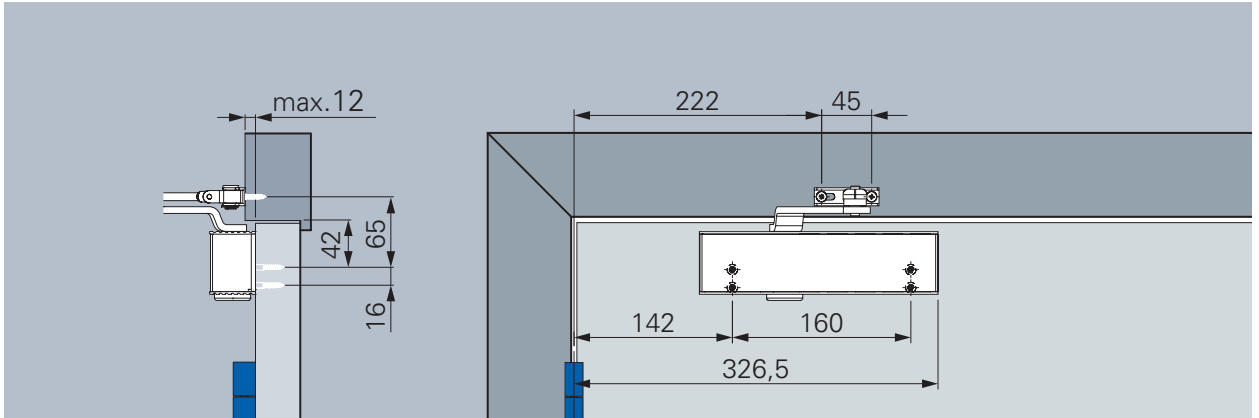
Increases the closing speed and thus the safe closing of the door, for example to overcome door seals, door locks and high air pressure. Continuously adjustable, works between 10 to 0°

*Varies according to door thickness and type of hinge

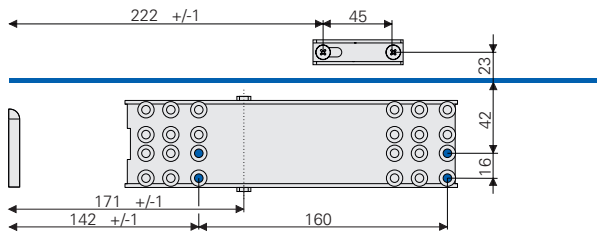
A door stopper for opening limit is a must!

Hinge side

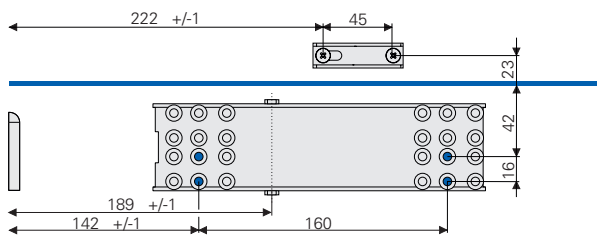
Illustration DIN left door, DIN right laterally reversed



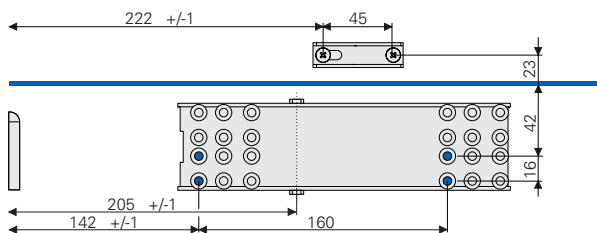
Standard mounting, hinge side (with mounting plate, DIN-holes)



Closing force EN 2



Closing force EN 3



Closing force EN 4

Closing force diagram ECO Newton TS-14 EN, hinge side



■ Closing speed

Continuously adjustable closing speed from approx. 180° to 0°

■ Latching speed

Increases the closing speed and thus the safe closing of the door, for example to overcome door seals, door locks and high air pressure.

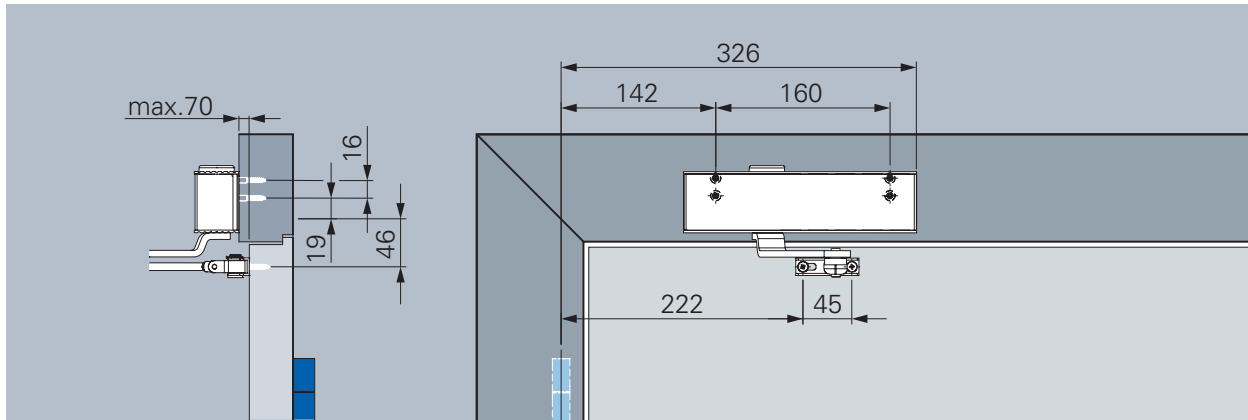
Continuously adjustable, works between 10 to 0°

Closing forces

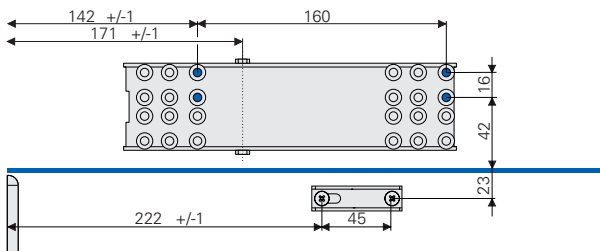
The different sizes are reached by moving the mounting plate on the door leaf.

Hinge-opposite side

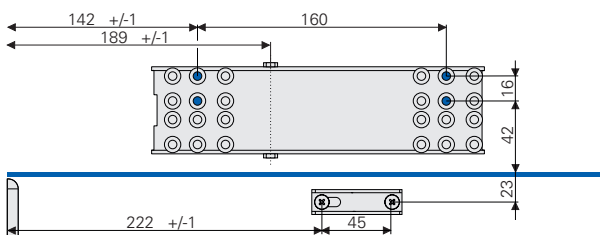
Illustration DIN right door, DIN left laterally reversed



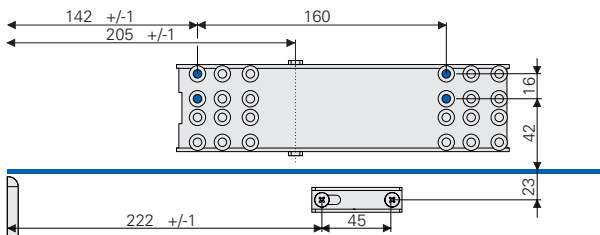
Head mounting, hinge-opposite side (with mounting plate, DIN-holes)



Closing force EN 2



Closing force EN 3



Closing force EN 4

Closing forces

The different sizes are reached by moving the mounting plate on the door frame.

Closing force diagram ECO Newton TS-14 EN, hinge-opposite side



Closing speed

Continuously adjustable closing speed from approx. 170°* to 0°

Latching speed

Increases the closing speed and thus the safe closing of the door, for example to overcome door seals, door locks and high air pressure. Continuously adjustable, works between 10 to 0°

*Varies according to door thickness and type of hinge

A door stopper for opening limit is a must!

ECO Schulte GmbH & Co. KG
Iserlohner Landstraße 89
D - 58706 Menden

Telefon: +49 2373/9276-0
Fax: +49 2373/9276-40

info@eco-schulte.de
www.eco-schulte.de

© ECO Schulte GmbH & Co. KG - Änderungen vorbehalten
© ECO Schulte GmbH & Co. KG - Subject to change