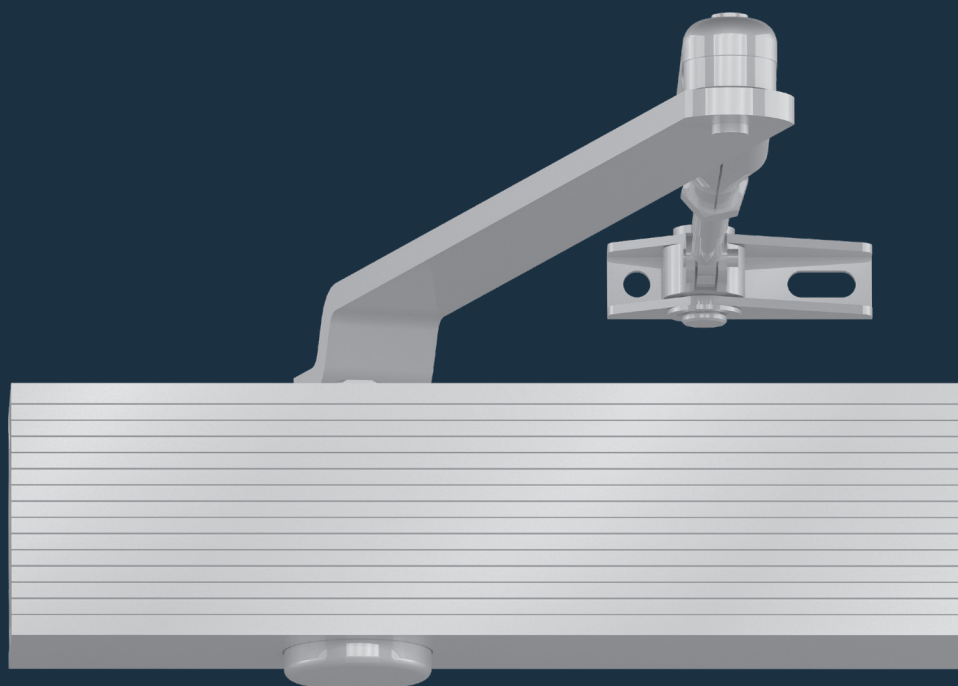


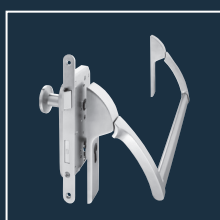
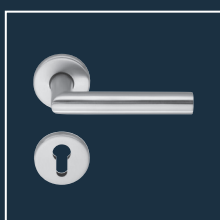
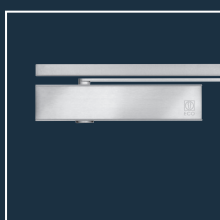
ECO **Newton** TS-15



Product information



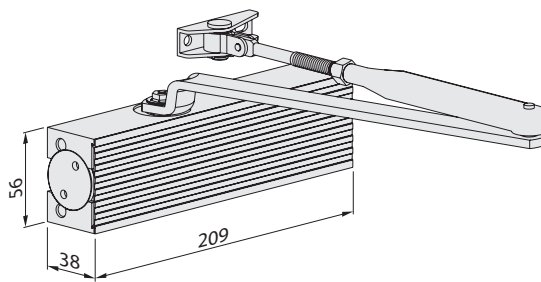
■ SYSTEM TECHNOLOGY FOR THE DOOR



Product characteristics

Closing force	Size acc. to EN	2/3/4/5
Door width	≤ 1.250 mm	■
Dimensions	Länge in mm Bautiefe in mm Höhe in mm	209 38 56
Mounting plate		-
Hinge side and hinge-opposite side		■
DIN left / right		■
Latching speed (adjustable from the side)		■
Closing speed (adjustable from the side)		■

- Yes
- No
- Option



Dimensions: TS-15



! The different door closer sizes for the type TS-15 are reached by moving the door closer on the door leaf.



Body: Silver RAL 9006
ECOcllic: Stainless steel
polished or satin



Body + ECOcllic:
White RAL 9016



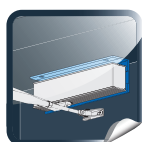
Body + ECOcllic:
Black RAL 9005



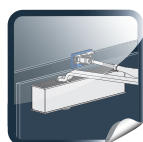
Body + ECOcllic:
Brown RAL 8014

The standard arm is always delivered in the same colour as the ordered door closer body.

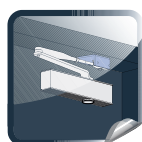
ECO **Newton TS-15** with standard arm:



Under-lintel angle
for door closer



Adaptor profiles



Angle bracket for parallel
arm mounting

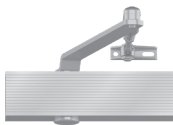
Order information

ECO **Newton TS-15** ■ Door closer with standard arm

Product information

- Closing force 2 / 3 / 4 / 5 acc. to EN (for door width up to 1.250 mm)
Adjustable by moving the door closer.
- Latching speed and closing speed continuously adjustable from the side
- Same version DIN left and DIN right
- Mounting height only 38 mm
- Maximum door opening angle: 180°

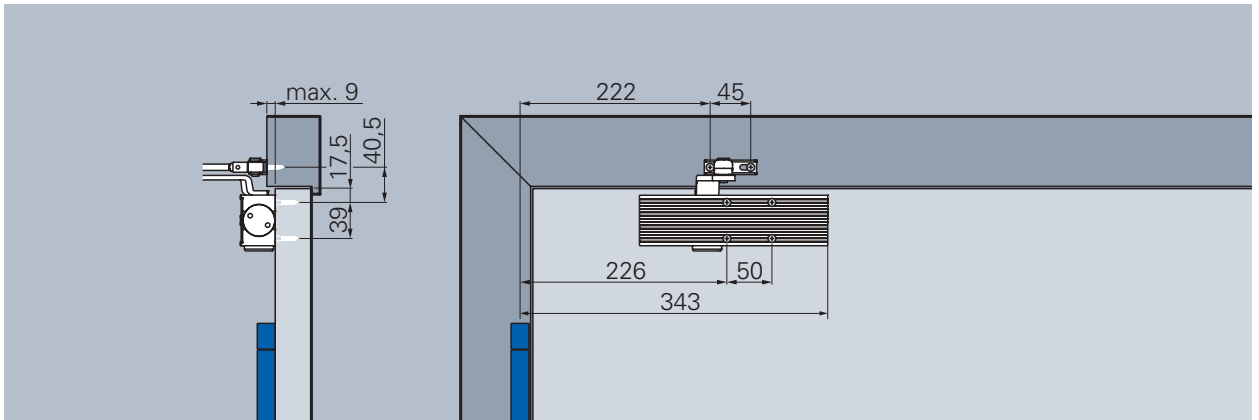
Article numbers



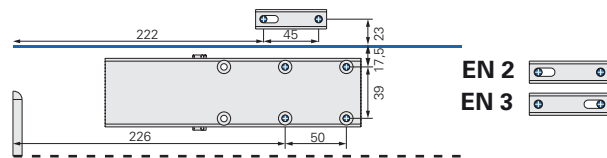
Door closer with standard arm		Colour		Article number	Door closer without standard arm		Colour		Article number
TS-15	(2/3/4/5)	Silver	RAL 9006	301552E11A71000	TS-15	(2/3/4/5)	Silver	RAL 9006	351552E11A00010
TS-15	(2/3/4/5)	White	RAL 9016	301552E11E71000	TS-15	(2/3/4/5)	White	RAL 9016	351552E11E00010
TS-15	(2/3/4/5)	Brown	RAL 8014	301552E11D71000	TS-15	(2/3/4/5)	Brown	RAL 8014	351552E11D00010
TS-15	(2/3/4/5)	Black	RAL 9005	301552E11G71000	TS-15	(2/3/4/5)	Black	RAL 9005	351552E11G00010

Hinge side

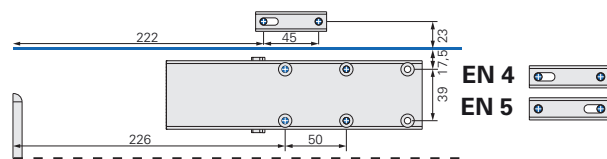
Illustration DIN left door, DIN right laterally reversed



Standard mounting, hinge side (EN 5)



Closing force EN 2/3



Closing force EN 4/5

Closing forces

The different sizes are reached by moving the door closer on the door leaf and by turning the standard arm reception by 180°.

Closing force diagram ECO **Newton TS-15**, hinge side



Closing speed

Continuously adjustable closing speed from approx. 180° to 0°

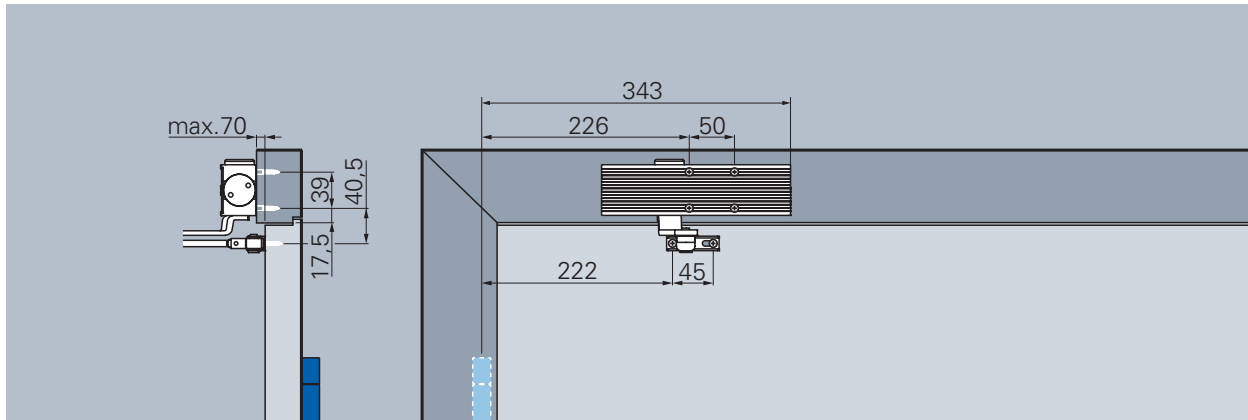
Latching speed

Increases the closing speed and thus the safe closing of the door, for example to overcome door seals, door locks and high air pressure.

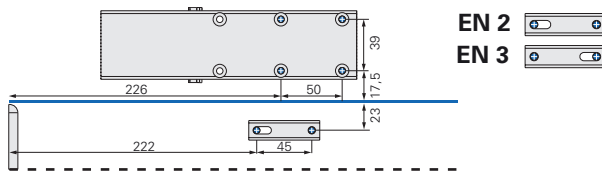
Continuously adjustable, works between 10 to 0°

Hinge-opposite side

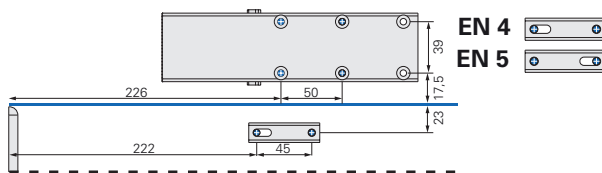
Illustration DIN right door, DIN left laterally reversed



Head mounting, hinge-opposite side (EN 5)



Closing force EN 2/3



Closing force EN 4/5

Closing forces

The different sizes are reached by moving the door closer on the door leaf and by turning the standard arm reception by 180°.

Closing force diagram ECO Newton TS-15, hinge-opposite side



Closing speed

Continuously adjustable closing speed from approx. 170°* to 0°

Latching speed

Increases the closing speed and thus the safe closing of the door, for example to overcome door seals, door locks and high air pressure.

Continuously adjustable, works between 10 to 0°

Note:

*Varies according to door thickness and type of hinge

A door stopper for opening limit is a must!

ECO Schulte GmbH & Co. KG
Iserlohner Landstraße 89
D - 58706 Menden

Telefon: +49 2373/9276-0
Fax: +49 2373/9276-40

info@eco-schulte.de
www.eco-schulte.de

© ECO Schulte GmbH & Co. KG - Änderungen vorbehalten
© ECO Schulte GmbH & Co. KG - Subject to change