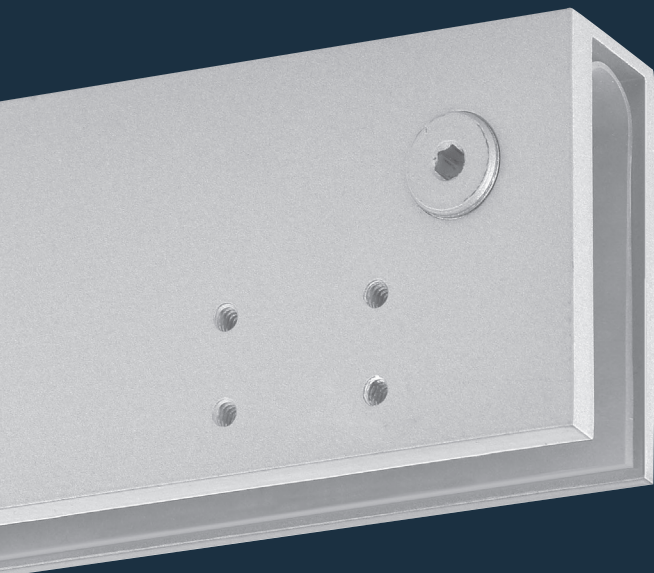


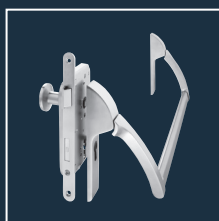
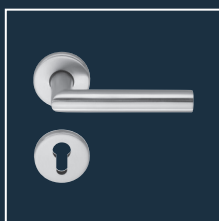
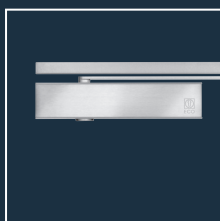
# ECO Door closer Accessories



## Product information



### ■ SYSTEM TECHNOLOGY FOR THE DOOR



# ECO MOUNT

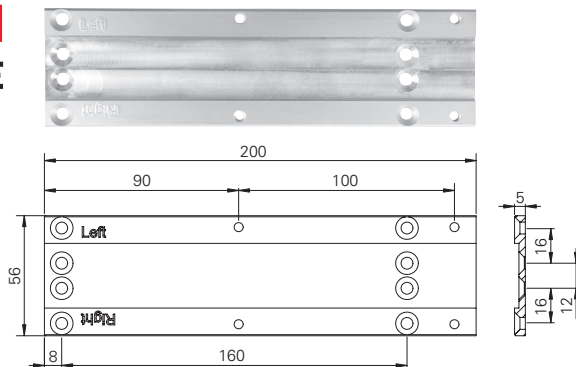
The special feature of the ECO **Newton** assembly system is that the mounting plate is completely concealed by the aluminium body of the closer, thus making it invisible. The mounting plate has standardized drill holes which guarantee time-saving, secure and simple attachment. Same version DIN left / right!



EN 1154

F

CE



for ECO **Newton TS-62**

with DIN holes

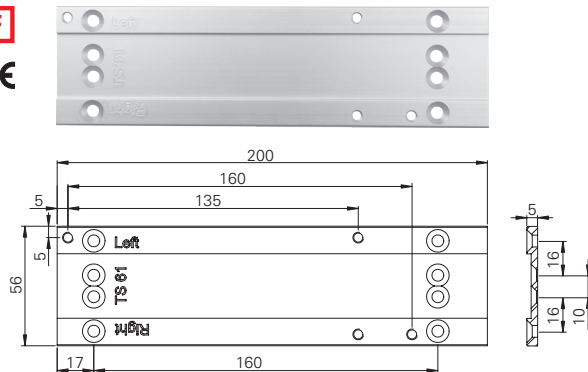
Acc, to **EN 1154**, supplementary sheet 1.

Mounting plate	Colour / Material	Article number
TS-62	Aluminium F1, anodized	339600017

EN 1154

F

CE



for ECO **Newton TS-61**

with DIN holes

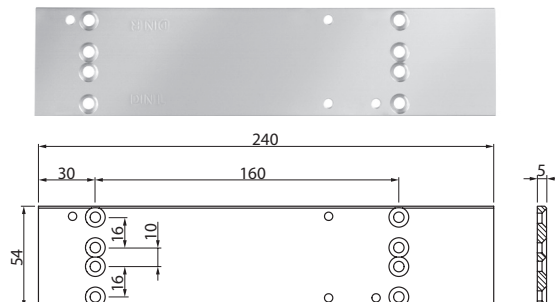
Acc, to **EN 1154**, supplementary sheet 1.

Mounting plate	Colour / Material	Article number
TS-61	Aluminium F1, anodized	300300310000000

EN 1154

F

CE



for ECO **Newton TS-51**

with DIN holes

Acc, to **EN 1154**, supplementary sheet 1.

Mounting plate	Colour / Material	Article number
TS-51	Aluminium F1, anodized	30960010

**for ECO Newton TS-41, TS-31, TS-50**

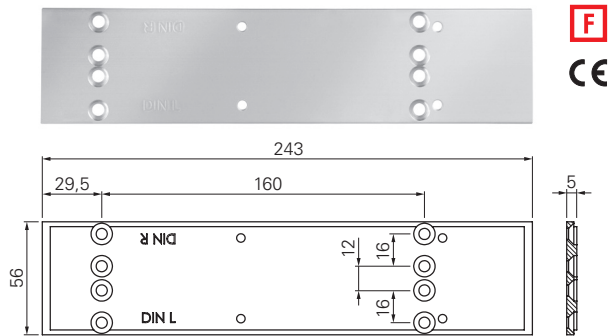
with DIN holes

After mounting the sides of the mounting plate is still visible.

Acc. to **EN 1154**, supplementary sheet 1, only with slide rail B and TS-50.

Mounting plate	Colour / Material	Article number
TS-41, TS-31, TS-50	Aluminium F1, anodized	30960011
TS-41, TS-31, TS-50	White RAL 9016	30960011E
TS-41, TS-31, TS-50	Brown RAL 8014	30960011D
TS-41, TS-31, TS-50	Black RAL 9005	30960011G

EN 1154



**for ECO Newton TS-20**

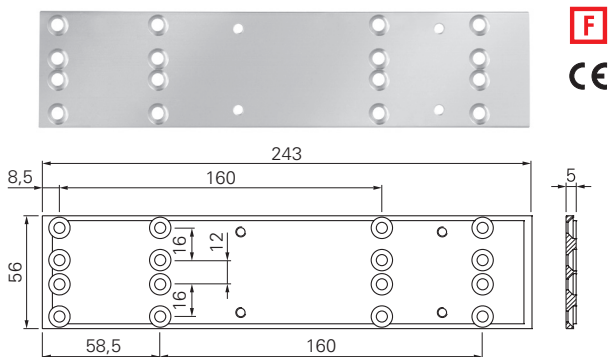
with DIN holes

Acc. to **EN 1154**, supplementary sheet 1.

Mounting plate	Colour / Material	Article number
TS-20	Aluminium F1, anodized	30960012

for ECO Newton TS-14/15 on request.

EN 1154



**ECO COVER<sup>2</sup>**

The full cover is an optional stainless steel covering for the ECO Newton door closers and related slide rails. The overall appearance is perfected by a lever arm with a stainless steel look. A cover on the closer body is available for standard arm closers.

ECOcover<sup>2</sup> can be ordered as set on request.



**for the door closer body for ECO Newton TS-62, TS-61, TS-51, TS-41, TS-31, TS-50, TS-20**

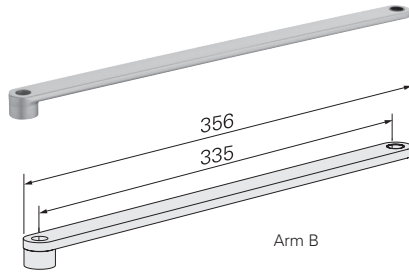
Surface: Stainless steel satin

Fullcover for ECO Newton	Material	Article number	Fullcover for ECO Newton	Material	Article number
TS-62/61/51	Stainless steel satin	350400052Q00001	TS 41/31/50/20	Stainless steel satin	350400054Q00001

**for the slide rail**

Surface: Stainless steel satin or polished

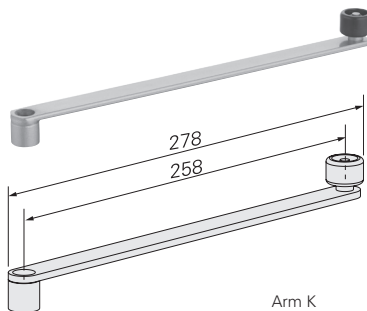
Fullcover for	Material	Article number
Slide rail B	Stainless steel satin	350400050Q00001



### Arm B

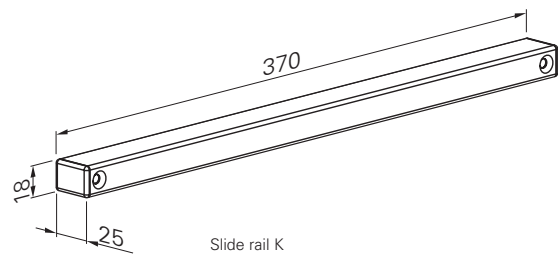
Arm B for ECO Newton	Colour / Material	Article number	Arm B for ECO Newton	Colour / Material	Article number
TS-62	Silver RAL 9006	33S6200013	TS-61/51	Silver RAL 9006	30S6100013
TS-62	White RAL 9016	33S6200008	TS-61/51	White RAL 9016	30S6100008
TS-62	Brown RAL 8014	33S6200004	TS-61/51	Brown RAL 8014	30S6100004
TS-62	Black RAL 9005	33S6200002	TS-61/51	Black RAL 9005	30S6100002
TS-62	Stainless steel optics	33S6200046	TS-61/51	Stainless steel optics	30S6100046

Arm B for ECO Newton	Colour / Material	Article number
TS-41/31	Silver RAL 9006	30S1100013
TS-41/31	White RAL 9016	30S1100008
TS-41/31	Brown RAL 8014	30S1100004
TS-41/31	Black RAL 9005	30S1100002
TS-41/31	Stainless steel optics	30S1100000Q1



### Arm K

Arm K for ECO Newton	Colour	Article number
TS-41/31	Silver RAL 9006	on request
TS-41/31	White RAL 9016	on request
TS-41/31	Brown RAL 8014	on request
TS-41/31	Black RAL 9005	on request



### Slide rail K

Slide rail K for ECO Newton	Colour	Article number
GS K Si	Silver RAL 9006	350150000A00000
GS K W	White RAL 9016	350150000E00000
GS K Br	Brown RAL 8014	350150000D00000
GS K S	Black RAL 9005	350150000G00000

### Arm ITS

Arm ITS	DIN	Article number	Arm ITS	DIN	Article number
ITS 420 (8-12)	DIN left	33S42A0843L	ITS MG (8-12)	DIN left / right	3396502443
ITS 420 (8-12)	DIN right	33S42A0843R	ITS MG (12-16)	DIN left / right	3396502643
ITS 420 (12-16)	DIN left	33S42A1243L			
ITS 420 (12-16)	DIN right	33S42A1243R			

## Accessories – Standard arm, Hold-open arm



Standard arm

### Standard arm

Steel zinc-plated

Standard arm	Colour	Article number	Standard arm	Colour	Article number
ECO <b>Newton</b> TS-20/50	Silver RAL 9006	350100000A70004	ECO <b>Newton</b> TS-14/15	Silver RAL 9006	350100000A70002
ECO <b>Newton</b> TS-20/50	White RAL 9016	350100000E70004	ECO <b>Newton</b> TS-14/15	White RAL 9016	350100000E70002
ECO <b>Newton</b> TS-20/50	Brown RAL 8014	350100000D70004	ECO <b>Newton</b> TS-14/15	Brown RAL 8014	350100000D70002
ECO <b>Newton</b> TS-20/50	Black RAL 9005	350100000G70004	ECO <b>Newton</b> TS-14/15	Black RAL 9005	350100000G70002



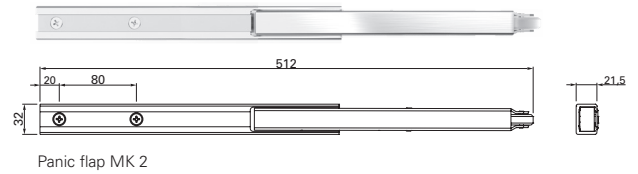
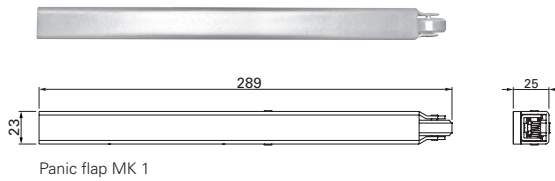
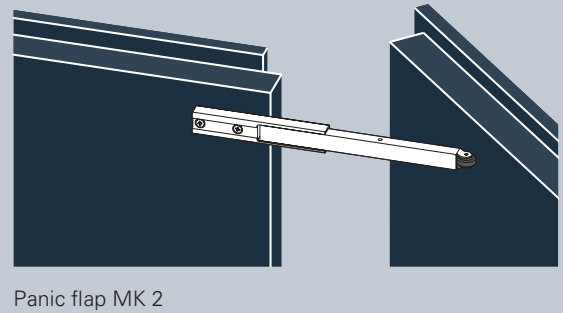
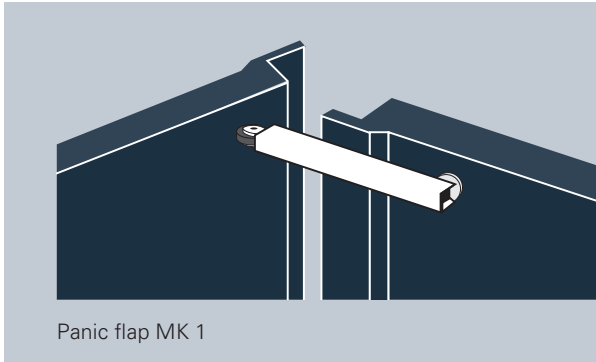
Hold-open arm

### Hold-open arm

The hold-open offers an additional hold-open function to fix the door. Steel zinc-plated. Hold-open angle 70°- 130°. Hold-open force adjustable.

Not allowed for the use on fire-protection doors

Hold-open arm	Colour	Article number	Hold-open arm	Colour	Article number
ECO <b>Newton</b> TS-20/50	Silver RAL 9006	350100000A77000	ECO <b>Newton</b> TS-14/15	Silver RAL 9006	350100000A77000
ECO <b>Newton</b> TS-20/50	White RAL 9016	350100000E77000	ECO <b>Newton</b> TS-14/15	White RAL 9016	350100000E77000
ECO <b>Newton</b> TS-20/50	Brown RAL 8014	350100000D77000	ECO <b>Newton</b> TS-14/15	Brown RAL 8014	350100000D77000
ECO <b>Newton</b> TS-20/50	Black RAL 9005	350100000G77000	ECO <b>Newton</b> TS-14/15	Black RAL 9005	350100000G77000



### Panic flap MK

The closing sequence ensures that the active and passive leaf are closing in the correct order, e.g. the passive leaf first, active leaf last. The function of the closing sequence is only given if the active leaf is opened up to a certain angle. If the passive leaf is opened first (full panic version), the panic flap ensures

that also the active leaf opens to such extend that the closing sequence can control the active leaf. Material: steel with nylon roll, zinc-plated (silver colour) Tested by the material testing office (MPA-NRW).

Panic flap	Colour / Material	Article number	Panic flap	Colour / Material	Article number
MK 1	Steel zinc-plated	306107024300080	MK 2 (for SR-Hinge-opposite side)	Steel zinc-plated	306107331300225



EN 1158

### SR Basis 2

- **Leaf weight:** max. 200 kg per leaf
- **Leaf width:** up to 1.600 mm per leaf
- **Space required above the door:** min. 30 mm
- **Scope of delivery:** incl. 2 support brackets
- **Attention!**  
Only in combination with door closers (hydraulically damped closing)!
- **Closing sequence control:**  
The closing sequence ensures that the active and passive leaf are closing in the correct order, e.g. the passive leaf first, active leaf last. Tested acc. to **EN 1158**.

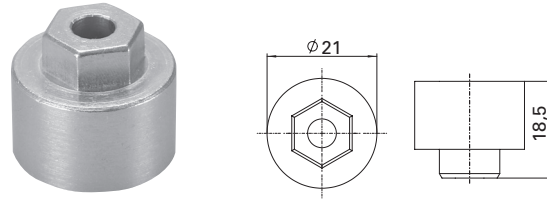
Closing sequence control	Colour / Material	Article number
SR Basis 2	Steel zinc-plated	336107000000080

## Accessories – Mounting aids

### Adaptor for arm 13 mm ECO Newton TS-61/51

In order to extend the distance between door closer and slide rail by 13 mm

- Use in combination with ECO adaptor profile
- Delivery contains extended screw
- (for short passive leaves)



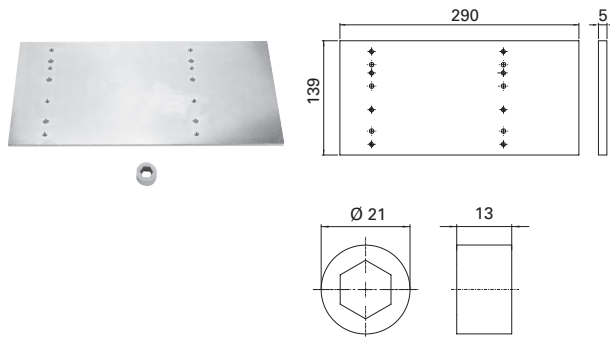
Adaptor for arm 13 mm	Colour / Material	Article number
Adaptor	Steel zinc-plated	35900007
Adaptor	Silver RAL 9006	35900007A
Adaptor	White RAL 9016	35900007E
Adaptor	Brown RAL 8014	35900007D
Adaptor	Black RAL 9005	35900007G

### Accessorie set tandem

ECO Newton TS-61 (EN 5 – 6)

Consisting of special mounting plate and adaptor for 2 x ECO Newton TS-61 (5 – 6).

Accessorie set tandem	Material	Article number
Accessories set tandem	Steel zinc-plated	350100000051000

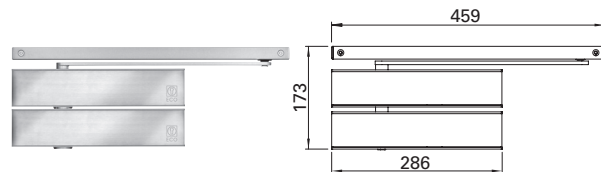


### Complete set tandem door closer (EN 7 – 8)

Consisting of 2 x ECO Newton TS-61 (5 – 6)

- incl. mounting plate,
- 1 x Arm,
- 1 x Slide rail B,
- 1 x Accessorie set tandem

Complete set	Colour / Material	Article number
Tandem door closer (EN 7-8)	Steel zinc-plated	306158HB1O01000
Tandem door closer (EN 7-8)	Silver RAL 9006	356158HB1A00500
Tandem door closer (EN 7-8)	White RAL 9016	356158HB1E00500
Tandem door closer (EN 7-8)	Brown RAL 8014	356158HB1D00500
Tandem door closer (EN 7-8)	Black RAL 9005	356158HB1G00500



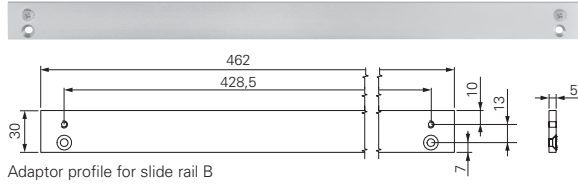
### Glass clamping device for ECO Newton TS-51, TS-20, TS-31, TS-41 and TS-50

Clamping device made of aluminium for fixing an ECO door closer onto a glass door

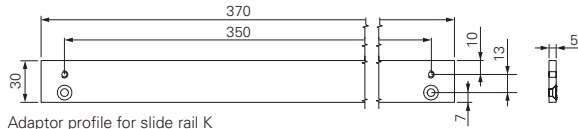
- Suitable for 8-10 mm glass (ESG)
- Same execution DIN left and DIN right
- Including threaded holes for the door closer



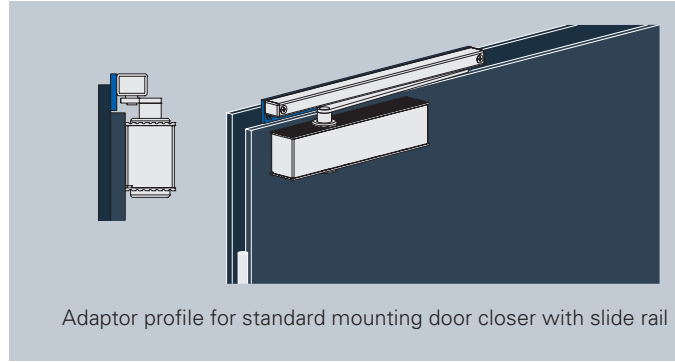
Glass clamping device	Colour / Material	Article number	Glass clamping device	Colour / Material	Article number
for TS-51	Silver RAL 9006	350310600A00000	for TS-20, TS-31, TS-41, TS-50	Silver RAL 9006	350340600A00000
for TS-51	White RAL 9016	350310600E00000	for TS-20, TS-31, TS-41, TS-50	White RAL 9016	350340600E00000
for TS-51	Brown RAL 8014	350310600D00000	for TS-20, TS-31, TS-41, TS-50	Brown RAL 8014	350340600D00000
for TS-51	Stainless steel optics	350310600Q00000	for TS-20, TS-31, TS-41, TS-50	Stainless steel optics	350340600Q00000



Adaptor profile for slide rail B



Adaptor profile for slide rail K



Adaptor profile for standard mounting door closer with slide rail

### Adaptor profile 30 hinge side for slide rails B, K, EFR, SR (SR-EF) and SR EFR

For installation of the slide rail on the hinge side on profile frame door constructions as well as over-rebated wooden doors with slim steel frames.

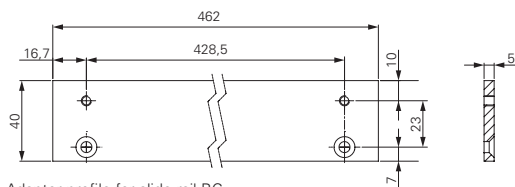
Adaptor profile hinge side	Dimensions	Colour / Material	Article number	Adaptor profile hinge side	Dimensions	Colour / Material	Article number
ADP 30 GS B	428,5 mm	Steel zinc-plated	350300R00A00000	ADP 30 GS K	350 mm	Steel zinc-plated	350300S00A00000
ADP 30 GS B	428,5 mm	Silver RAL 9006	on request	ADP 30 GS K	350 mm	Silver RAL 9006	on request
ADP 30 GS B	428,5 mm	White RAL 9016	350300R00E00000	ADP 30 GS K	350 mm	White RAL 9016	on request

Adaptor profile hinge side	Colour / Material	Article number	Adaptor profile hinge side	Colour / Material	Article number
ADP 30 EFR	Steel zinc-plated	350300T60O00000	ADP 30 SR (SR-EF)	Steel zinc-plated	350300T10O00000
ADP 30 EFR	Silver RAL 9006	350300T60A00000	ADP 30 SR (SR-EF)	Silver RAL 9006	350300T10A00000
ADP 30 EFR	White RAL 9016	350300T60E00000	ADP 30 SR (SR-EF)	White RAL 9016	350300T10E00000

Adaptor profile hinge side	Colour / Material	Article number	Adaptor profile hinge side	Colour / Material	Article number
ADP 30 SR-EFR	Steel zinc-plated	350300T70O00000	ADP 30 ECO SR III	Steel zinc-plated	on request
ADP 30 SR-EFR	Silver RAL 9006	350300T70A00000	ADP 30 ECO SR III	White RAL 9016	on request
ADP 30 SR-EFR	White RAL 9016	350300T70E00000			



Adaptor profile for slide rail BG



Adaptor profile for slide rail BG



Adaptor profile for slide rail SR BG active leaf



Adaptor profile for slide rail SR BG passive leaf

### Adaptor profile 40 hinge-opposite side for slide rail BG, EFR BG (short) and SR BG (SR BGX)

For installation of the slide rail on the hinge-opposite side on profile frame door constructions as well as over-rebated wooden doors with slim steel frames.

Adaptor profile hinge-opposite side	Colour / Material	Article number	Adaptor profile hinge-opposite side	Colour / Material	Article number
ADP 40 GS BG	Steel zinc-plated	350300A05O00000	ADP 40 EFR BG (short)	Steel zinc-plated	350300T91O00000
ADP 40 GS BG	Silver RAL 9006	350300A05A00000	ADP 40 EFR BG (short)	Silver RAL 9006	350300T91A00000
ADP 40 GS BG	White RAL 9016	350300A05E00000	ADP 40 EFR BG (short)	White RAL 9016	350300T91E00000

Adaptor profile hinge-opposite side	Colour / Material	Article number	Adaptor profile hinge-opposite side	Colour / Material	Article number
ADP 40 SR BG (SR BGX)	Steel zinc-plated	350300T50O00000	ADP 40 SR-EFR BG	Steel zinc-plated	on request
ADP 40 SR BG (SR BGX)	Silver RAL 9006	350300T50A00000	ADP 40 SR-EFR BG	Silver RAL 9006	on request
ADP 40 SR BG (SR BGX)	White RAL 9016	350300T50E00000	ADP 40 SR-EFR BG	White RAL 9016	on request

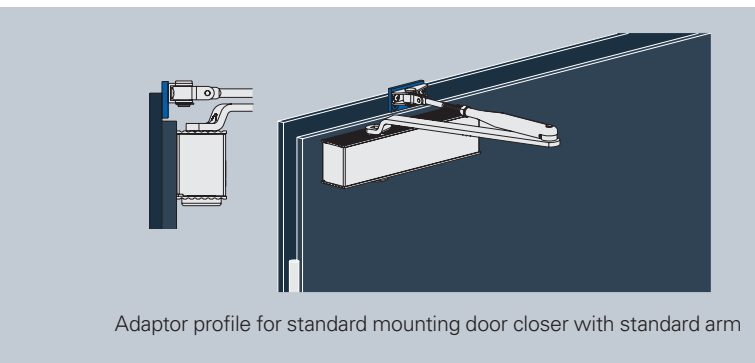


## Accessories – Adaptor profiles, mounting profiles, drilling templates

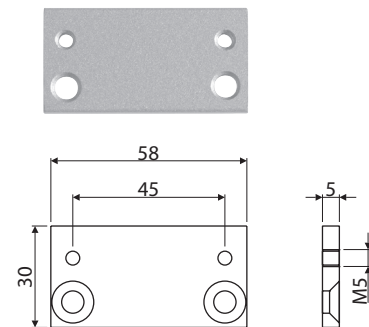
### Mounting profiles for special mountings

Mounting base plate for adaption on on-site available drill dimensions.

Mounting profile für special mounting Geze	Material	Article number
SP-EF (G)	Steel zinc-plated	5030013393
SP-SR-III (G)	Aluminium anodized	on request
SP-SR-II (G)	Steel zinc-plated	350300U20O00000
SP-SR-EF (G)	Steel zinc-plated	5030013401
SP-SR-EFR (G)	Steel zinc-plated	350300U50O00000



Adaptor profile for standard mounting door closer with standard arm



Adaptor profile for door closers with standard arms

### Adaptor profile for door closer with standard arm ECO Newton TS-50/20/15/14

For installation of the standard arm and the hold open arm on the hinge side on profile frame door constructions as well as over-rebated wooden doors with slim steel frames.

Adaptor profile TS-50/20/15/14	Dimensions	Colour / Material	Article number
ADP door closer with standard arm	58 mm	Silver RAL 9006	350300A00A000000
ADP door closer with standard arm	58 mm	White RAL 9016	350300A00E000000
ADP door closer with standard arm	58 mm	Brown RAL 8014	350300A00D000000
ADP door closer with standard arm	58 mm	Black RAL 9005	350300A00G000000
ADP door closer with standard arm	58 mm	Steel zinc-plated	350300A00O000000

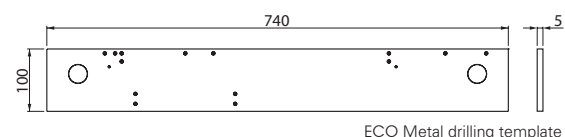
ADP = Adaptor profile

### ECO Metal drilling template

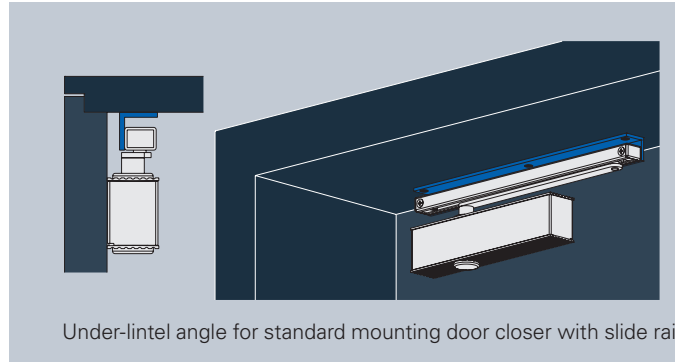
for direct drilling of the fixing holes to the door

- **Material:** Aluminium with drilling bushings
- Drill holes for ECO door closers, slide rails and standard arms
- **DIN left** and **DIN right**, including inscription of the drill holes

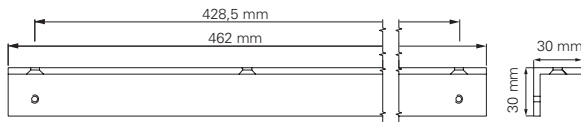
ECO Metal drilling template	Material	Article number
MBS-BS	Aluminium	3BGS20000000000
MBS-BG	Aluminium	3BGS40000000000
MBS-BS III	Aluminium	on request
MBS-BS III	Aluminium	on request



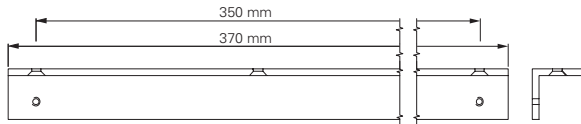
ECO Metal drilling template



Under-lintel angle for standard mounting door closer with slide rail



Under-lintel angle for slide rail BG

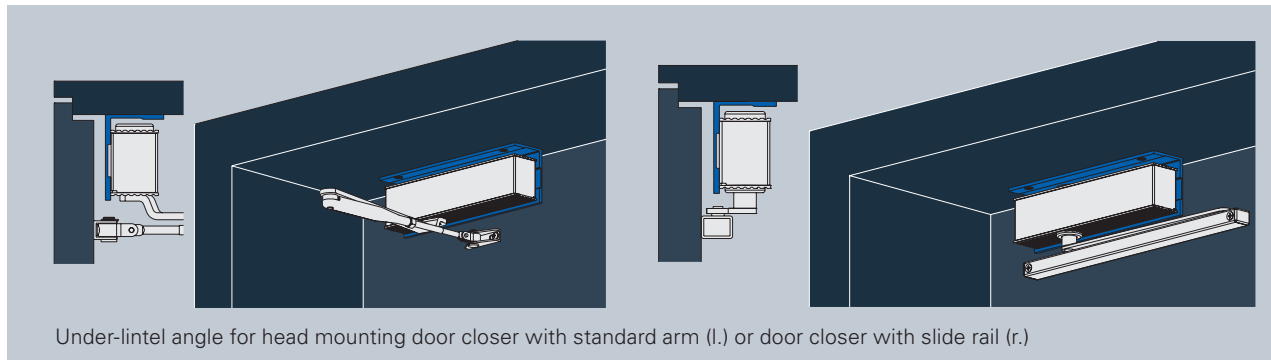


Under-lintel angle for slide rail K

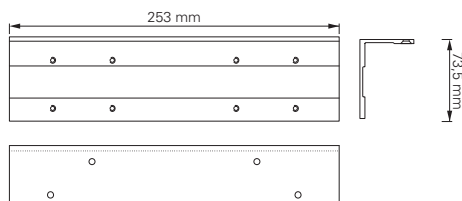
**Under-lintel angle for slide rail BG, K, EF BG, EFR BG, SR BG (SR BGX), SR-EFR BG**

For standard mounting installation of the slide rail on hinge-opposite side for doors with deep four lintels. Under-lintel angle made of aluminium.

Under-lintel angle	Material	Article number
SFW GS BG	Aluminium	350300J00A00000
SFW GS K	Aluminium	300340E00A00000
SFW GS EF BG	Aluminium	350300R00O00000
SFW GS EFR BG	Aluminium	350300R80O00000
SFW GS SR BG (SR BGX)	Aluminium	350300K50O00001
SFW GS SR-EFR BG	Aluminium	350300K55O00001



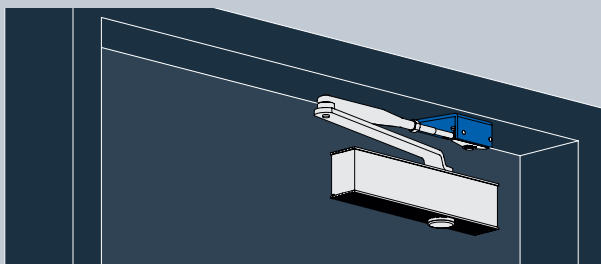
Under-lintel angle for head mounting door closer with standard arm (l.) or door closer with slide rail (r.)


**Under-lintel angle for door closers with slide rails / standard arms**

For head mounting of the door closer on hinge-opposite side for doors with deep door lintels. Under-lintel angle made of aluminium

Under-lintel angle	Article number
ECO <b>Newton</b> TS-61	350310E00A00000
ECO <b>Newton</b> TS-51	350320E00A00000
ECO <b>Newton</b> TS-41/31/50/20	300330E00A00000

## Accessories – Angle bracket for parallel mounting, adaptor profile FTS



Angle bracket parallel arm mounting door closer with standard arm

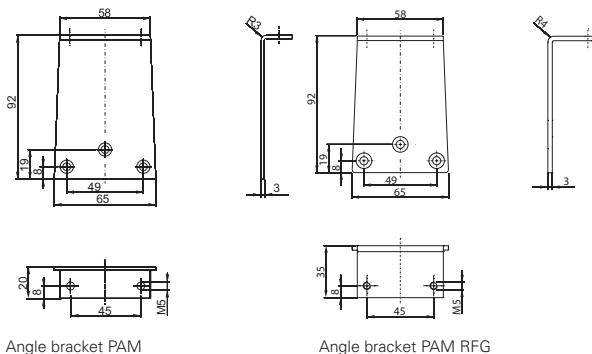


### Angle bracket parallel arm mounting for ECO Newton TS-50/20/15/14

For mounting the standard arm on the hinge-opposite side on profile frame constructions as well as over-ribbed wooden doors with slim steel frames.

- Not permitted to use on fire-and smoke control doors.

Angle bracket PAM	Colour	Article number
Angle bracket	Silver RAL 9006	350300B00A00000
Angle bracket RFG	Silver RAL 9006	350300B00A00000

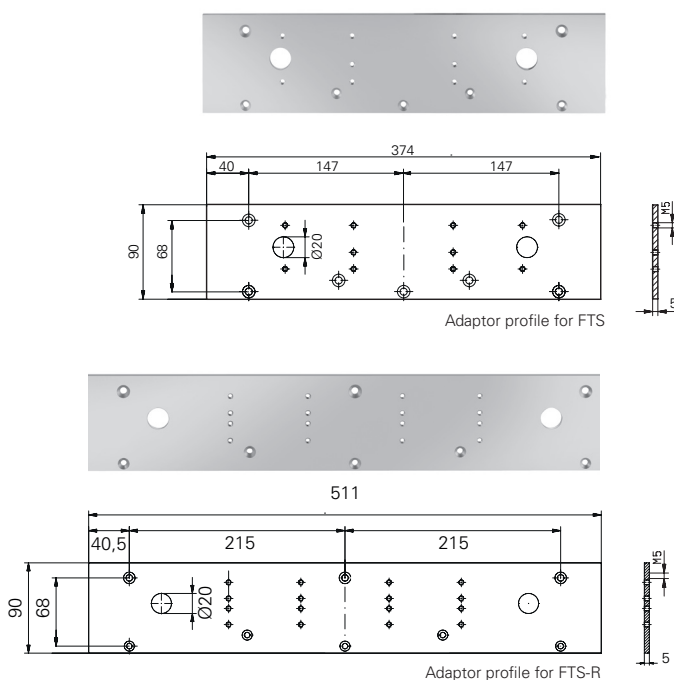


### Adaptor profile

for **steel frame installation** of **FTS 63** and **FTS 63 R**

For installation of the FTS on small steel frame door constructions.

Adaptor profile	Material	Article number
FTS-63	Aluminium	350300M00A00001
FTS-63 R	Aluminium	350300M00A00000

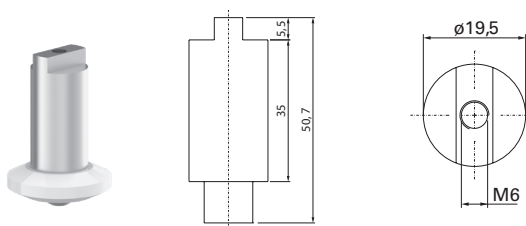


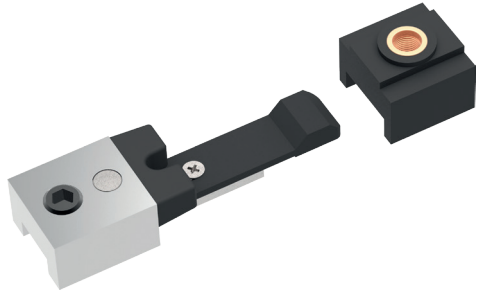
### Axis bolt extension FTS (ADV)

Accessorie set ADV for lengthening of the distance from the lever to the guide roller (eg, for mounting FTS on the steel frame)

Extension 20 mm

Axis bolt extension	Article number
ADV-FTS	35911914





### Accessories set FKL-E

Adjustable hold open for slide rail B with integrated buffer.

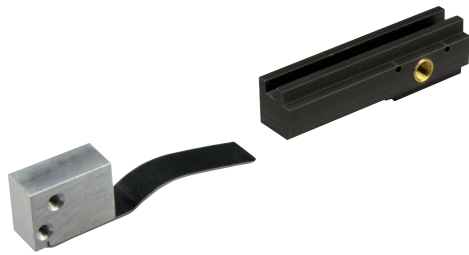
**Not permitted for the use in fire protection!**

Hold open for doors with slide rail closers **EN 2 – EN 5**, hold open continuously adjustable

Hold open angle adjustable between 70° – 130°. The adjusting limits the max. opening angle

- Suitable for slide rail B

Mechanical hold open FKL-E	Article number
FKL-E	350100000056400



### Accessories set SR-FKL

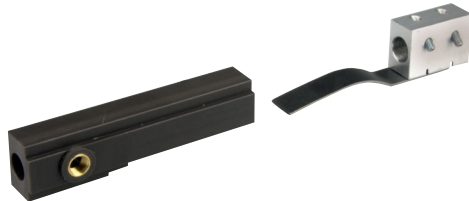
Mechanical hold open for belated assembly in slide rail SR.

**Not permitted for the use in fire protection!**

30 x 21 mm. Hold open angle adjustable from 80° - 110°. For exterior doors under wind load and heavy doors, the holding force decreases accordingly

- Suitable for slide rail SR
- For light doors up to **EN 3**

SR-FKL	DIN direction	Leaf	Article number
FKL-SR-BS-DL-GF	DIN left	GF	on request
FKL-SR-BS-DL-SF	DIN left	SF	on request
FKL-SR-BS-DR-GF	DIN right	GF	on request
FKL-SR-BS-DR-SF	DIN right	SF	on request



### Accessories set SR-FKL-BG (BGX)

Mechanical hold open for belated assembly in slide rail SR BGX.

**Not permitted for the use in fire protection!**

30 x 21 mm. Hold open angle of max. 110° adjustable. For exterior doors under wind load and heavy doors, the holding force decreases accordingly

- Suitable for slide rail SR BGX
- For light doors up to **EN 3**

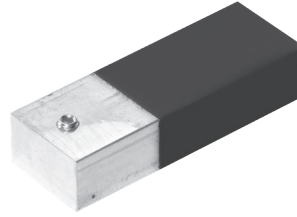
SR-FKL-BG (BGX)	DIN direction*	Leaf	Article number
FKL-SR-BG-DL-GF	DIN left	GF	on request
FKL-SR-BG-DL-SF	DIN left	SF	on request
FKL-SR-BG-DR-GF	DIN right	GF	on request
FKL-SR-BG-DR-SF	DIN right	SF	on request

\*The specification of the DIN direction of the SR BG always refers to the DIN direction of the door in question. A doors DIN direction is always specified from the hinge side. If the door is DIN left, so is the SR-BG-DIN left, resp. the FKL-SR-BG-DL.

## Accessories – Mechanical hold open

### Accessories set MÖB I GS Basis\*

Mechanically adjustable opening limit for the slide rail B (Basis) The opening angle can be locked by moving the MÖB in the slide rail. 30 x 20 mm.



Mechanically adjustable opening limit	Article number
ÖB-GS-B	350100000054000

### ECO pivot hinge 31

Pivot hinge with stainless steel cover ECO **Newton** TS-31 (body empty, without spring and oil), mounting plate, arm for slide rail B with four edges



Mechanically adjustable opening limit	Article number
Pivot hinge 31	353111000A00000

### ECO pivot hinge MÖB 31 with door stopper function\*


Free-running pivot hinge with adjustable opening limit. Opening angle can be adjusted between 80- 130° by moving the MOL in the slide rail. The door shock is absorbed by the rubber part and thus takes over the door stopper function if no floor stopper can be installed.

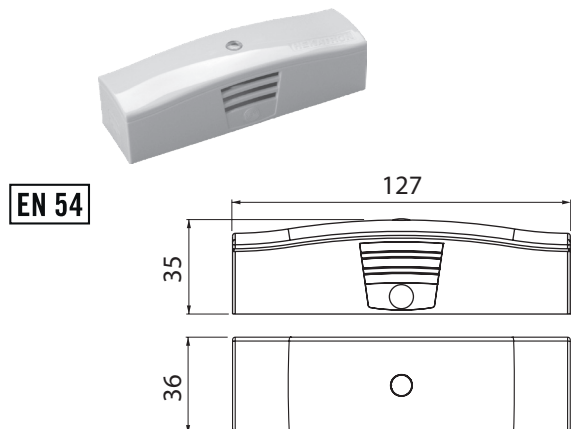
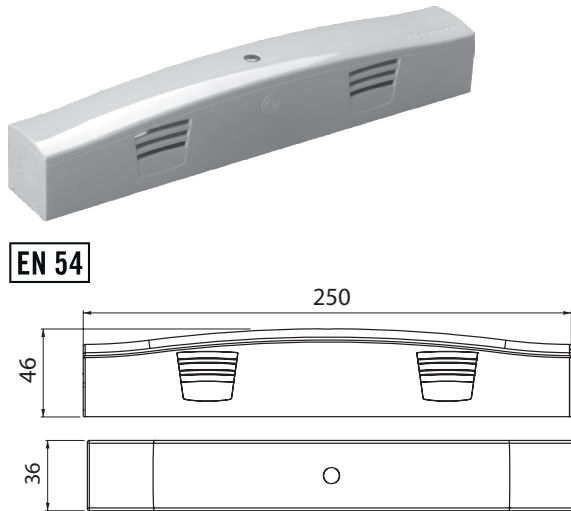
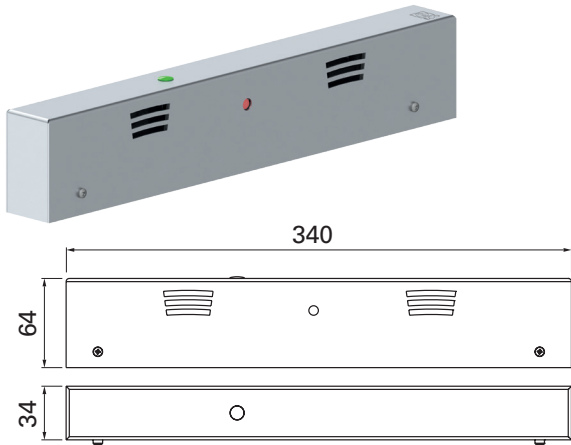
Consisting of:

- Pivot hinge with stainless steel cover ECO **Newton** TS-31 (body empty, without spring and oil)
- Mounting plate
- Slide rail B with mechanically adjustable opening limiter (MÖB)
- Arm for slide rail B with four edges



Mechanically adjustable opening limit	Article number
Pivot hinge MÖB 31 with mechanically adjustable opening limit	303111000A01010

 \*To be used on light interior doors only. Normal use of door is recommended. Incorrect use or heavy doors increases the load on the hinges! Standard mounting pull side or push side (using an under-lintel angle). Installation according to DIN holes acc. to EN.



### ECO RSZ

External smoke inducing system for use with ECO hold open devices **EF, EF-BG, SR-EF, SR-EF-BG, ITS-EF** and **ITS-SR-EF**. Consisting of smoke detector, power supply unit, interrupt button and continuous cover

■ **Input voltage:** 230 V AC, 21 VA

■ **Output voltage:** 24 V DC

Smoke inducing system	Colour / Material	Article number
ECO RSZ	Silver RAL 9006	35RSZ1420010A
ECO RSZ	White RAL 9016	35RSZ1420010E
ECO RSZ	Stainless steel	35RSZ1420010Q

### RSZ Standard

Smoke inducing system consisting of smoke detector ORS 142, power supply unit NAG 02 and continuous cover

■ For controlling external electromagnetic door retainer

Smoke inducing system	Colour	Article number
RSZ Standard	Silver RAL 9006	35RSZ1420025
RSZ Standard	White RAL 9016	35RSZ1420008

### Smoke switch ORS 142 W - Standard (lintel detector)

- **Function:** Scattered light
- **Alarm threshold tracking:** acc. to EN 54 part 7
- **Release temperature:** 70°C ± 5° C
- **Operating voltage:** 18 to 24 V DC
- **Power consumption:** at 28 V DC max. 22 mA
- **Degree of protection:** IP 42
- **Ambient temperature:** -20°C to +75° C
- incl. cover RZO

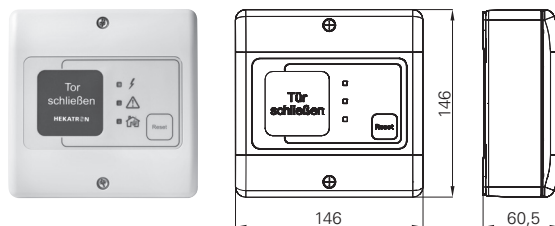
ORS 142 W- Standard (lintel detector)	Colour	Article number
Smoke switch ORS 142 W- Standard	Silver RAL 9006	5030022730
Smoke switch ORS 142 W- Standard	White RAL 9016	3550005722

## Accessories for hold open devices

### FSZ Basis

Hold open device control unit incl. integrated interrupt button, alarm memory and reset button. Suitable for connection of external hold open devices, smoke detectors and alarm transmitters.

- **Acc. to DIN EN 14637**
- **Input voltage:** 230 V AC, 13,8 VA
- **Output voltage :** 24 V DC, max. 400 mA



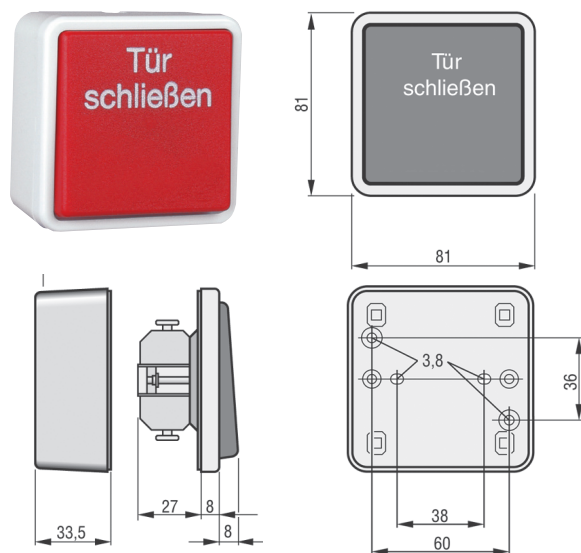
Hold open device control unit	Article number
FSZ Basis	33FSZ5400020101

### HAT 02

Interrupt button for mounting in dry rooms. Used to manually release the hold open device acc. to DIBt directives

- **Mounting:** Top-mountend / concealed
- **Contact:** Opener
- **Switch voltage:** Max. 30 V DC
- **Switch flow:** Max. 1 A
- **Degree of protection:** IP 20

Interrupt button	Article number
HAT 02	5030000748

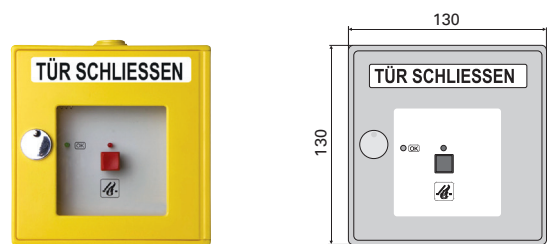


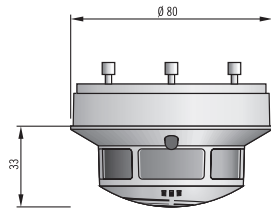
### DKT 01 ge

Manual interrupt button for hold open devices. An unintended closure of the door shall be avoided.

- **Contact:** Directional contact
- **Switch voltage:** Max. 30 V DC
- **Switch flow:** Max. 1 A
- **Degree of protection:** IP 20

Manual interrupt	Article number
DKT 01 ge	356200106





EN 54

### ORS 142 Ceiling smoke switch

- **Alarm threshold tracking:** acc. to EN 54, part 7
- **Release temperature:** 70° C
- **Operating voltage:** 18 – 28 V DC
- **Power consumption:** at 28 V DC, at rest 22 mA, at an alarm 11 mA, at a disruption 16 mA,
- **Relay contact:** Opener
- **Switch voltage:** 30 V DC
- **Switch flow:** 1 A
- **Breaking capacity:** 30 W
- **Degree of protection:** IP 42
- **Ambient temperature:** -20° C to +60° C

Ceiling smoke switch	Colour	Article number
ORS 142	White RAL 9010	35020000052100



Terminating resistor  
**AM 142**

EN 54

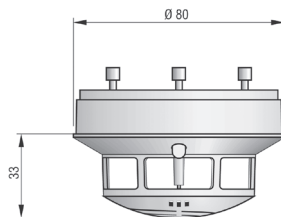
### ORS 142 Set

For optional line monitoring according to **DIN EN 14637**.

Set consists of:

- **2 x ORS 142**
- **2 x Mounting plate 143 A**
- **1 x Terminating resistor AM 142**

Ceiling smoke switch	Colour	Article number
ORS 142 Set	White RAL 9010	5030042530



EN 54

### TDS 247 Thermo switch

- **Fire detection:** acc. to EN 54, part 5
- **Release temperature:** 54° C- 65° C
- **Operating voltage:** 18 – 28 V D
- **Power consumption :** at 28 V DC; at rest 22 mA, at an alarm 11 mA, at a disruption 16 mA
- **Relay contact:** Opener
- **Switch voltage:** 30 V DC
- **Switch flow:** 1 A
- **Breaking capacity:** 30 W
- **Degree of protection:** IP 42
- **Ambient temperature:** -20° C to +80° C

Thermo switch	Colour	Article number
TDS 247	White RAL 9010	355100158

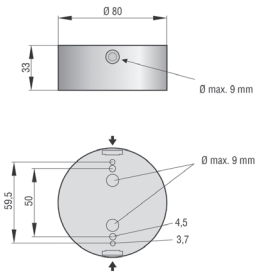


## Accessories for hold open devices

### ORS 143 A mounting plate for ORS 142

For top-mounting of smoke switch ORS 142.

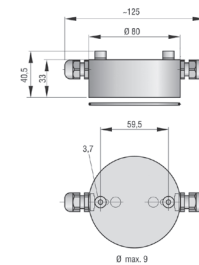
Mounting plate for ORS 142	Colour	Article number
ORS 143 A	White RAL 9010	355000350



### ORS 143 AF mounting plate for ORS 142

Top-mounting of smoke switch ORS 142 in moist rooms.

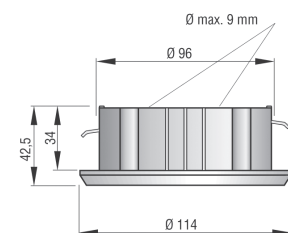
Mounting plate for ORS 142	Colour	Article number
ORS 143 AF	White RAL 9010	355000356

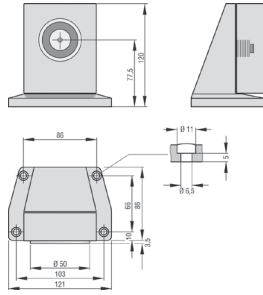


### ORS 143 UH mounting plate for ORS 142

Installation of smoke switch ORS 142 in hollow ceilings.

Mounting plate for ORS 142	Colour	Article number
ORS 143 UH	White RAL 9010	355000359

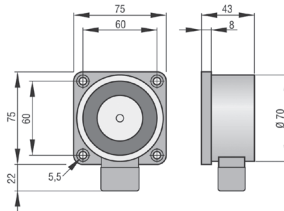




### Electromagnetic door retainer THM 413

- **Operating voltage:** 24 V DC
- **Power input:** 63 mA
- **Power consumption:** 1,5 W
- **Holding force:** 490 N
- **Duty rating:** 100%
- **Degree of protection:** IP 40

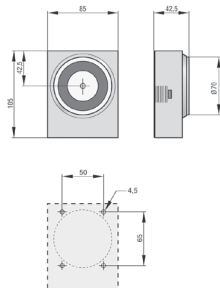
Electromagnetic door retainer	Holding force (Newton)	Article number
THM 413	490 N	356500002



### Electromagnetic door retainer THM 425/THM 425-1

- **Operating voltage:** 24 V DC
- **Power input:** 63 mA
- **Power consumption:** 1,5 W
- **Duty rating:** 100%
- **Degree of protection:** IP 40

Electromagnetic door retainer	Holding force (Newton)	Article number
THM 425	686 N	356500016
THM 425-1	1372 N	356500020



### Electromagnetic door retainer THM 433/THM 433-1

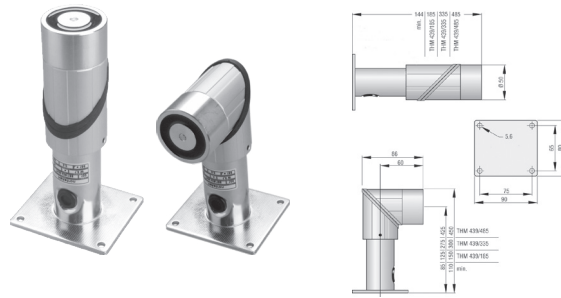
- **Operating voltage:** 24 V DC
- **Power input:** 63 mA
- **Power consumption:** 1,5 W
- **Duty rating:** 100%
- **Degree of protection:** IP 40

Electromagnetic door retainer	Holding force (Newton)	Article number
THM 433	490 N	356500096
THM 433-1	1372 N	356500097

**Electromagnetic door retainer THM 439 with swivel head**

- **Operating voltage:** 24 V DC
- **Power input:** 63 mA
- **Power consumption:** 1,5W
- **Duty rating:** 100%
- **Degree of protection:** IP 40

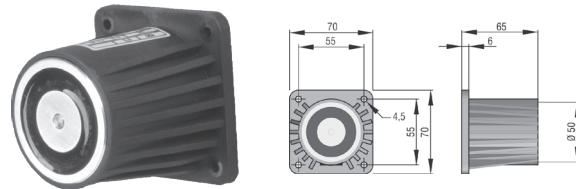
Electromagnetic door retainer	Holding force (Newton)	Article number
THM 439/185 (185 mm)	490 N	356500127
THM 439/335 (335 mm)	490 N	356500128
THM 439/485 (485 mm)	490 N	356500129

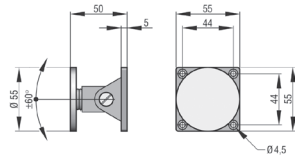
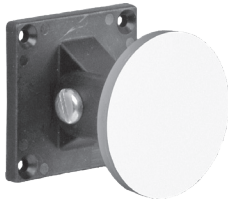


**Electromagnetic door retainer THM 440**

- **Operating voltage:** 24 V DC
- **Power input:** 63 mA
- **Power consumption:** 1,5W
- **Duty rating:** 100%
- **Degree of protection:** IP 40

Electromagnetic door retainer	Holding force (Newton)	Article number
THM 440	490 N	356500109

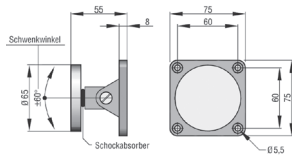
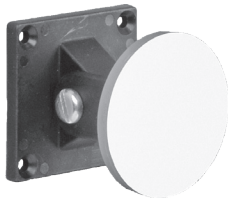




**Anchor plate AFS 55 – flexible anchor**  
Suitable for THM 413, 433, 439 and 440

- **Anchor plate:** Ø 55 mm x 5 mm
- **Angular freedom:** ± 60°

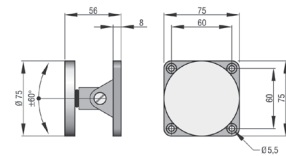
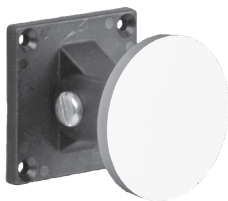
Anchor plate	Article number
AFS 55	356500102



**Anchor plate AFS 65 – flexible anchor**  
Suitable for THM 425, 425-1, 433-1

- **Anchor plate:** Ø 65 mm x 5 mm
- **Angular freedom:** ± 60°

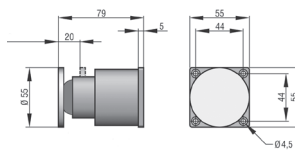
Anchor plate	Article number
AFS 65	356500178



**Anchor plate AFS 75 – flexible anchor**  
Suitable for THM 425, 425-1 and 433-1

- **Anchor plate:** Ø 75 mm x 5 mm
- **Angular freedom:** ± 60°

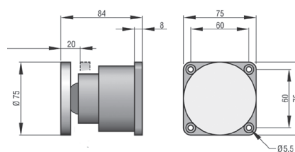
Anchor plate	Article number
AFS 75	356500103



**Anchor plate ATS 55 – Telescopic anchor**  
Suitable for THM 413, 433, 439 and 440

- **Anchor plate:** Ø 55 mm x 5 mm
- **Swept volume:** 20 mm

Anchor plate	Article number
ATS 55	356500100



**Anchor plate ATS 75 – Telescopic anchor**  
Suitable for THM 425, 425-1 and 433-1

- **Anchor plate:** Ø 75 mm x 5 mm
- **Swept volume:** 20 mm

Anchor plate	Article number
ATS 55	356500101

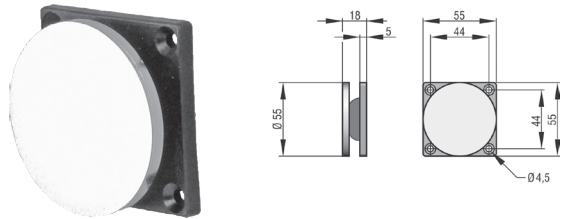
## Accessories for hold open devices

### Anchor plate ASS 55

Suitable for THM 413, 433, 439 and 440

- **Anchor plate:** Ø 55 mm x 5 mm
- **Rubber-based support:** 8 mm
- **Angular freedom:** 20°

Anchor plate	Article number
ASS 55	356500023

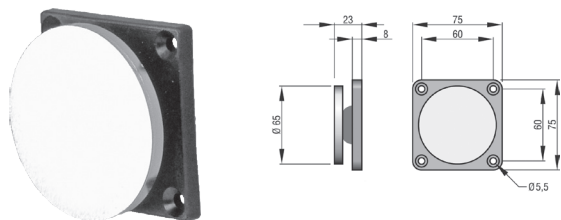


### Anchor plate ASS 65

Suitable for THM 425

- **Anchor plate:** Ø 65 mm x 5 mm
- **Rubber-based support:** 8 mm
- **Angular freedom:** 20°

Anchor plate	Article number
ASS 65	356500024

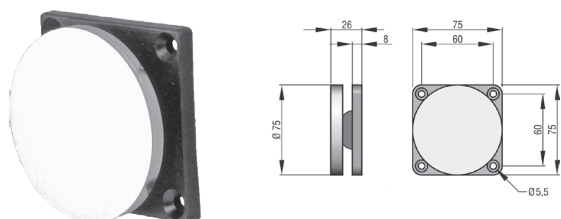


### Anchor plate ASS 75

Suitable for THM 425-1

- **Anchor plate:** Ø 75 mm x 5 mm
- **Rubber-based support:** 8 mm
- **Angular freedom:** 20°

Anchor plate	Article number
ASS 75	356500025



### ECO Test gas P-250

Test gas for operation test (simulating the smoke detection) of the smoke switches / smoke buttons. Free from halogenated carbon hydride (FCKW or other)

ECO Test gas P-250	Article number
Test gas P-250	356900250



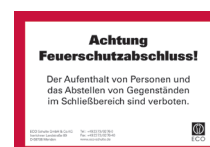
### Approval set for ECO hold open devices

consisting of:

- Maintenance book
- Maintenance instructions
- Admission resp. ABG
- Admission sign
- Identification plates

(Maintenance book acc. to DIBt and **DIN 14677**)

Approval set for ECO hold open devices	Article number
Approval set II (ECO FSA Z-6.500-2290)	5030042852
Approval set III (ECO FTS 63-R)	5030017334
Approval set IV (FSA with RSZ Hekatron)	5030000749

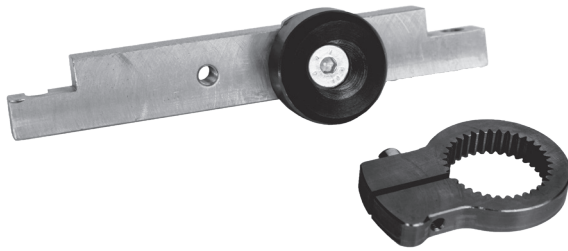




**Mounting plate for ETS (MPL)**

Necessary for fire-rated doors as well as mounting on brickwork and small frames

Mounting plate	Article number
MPL ETS	358500450548358



**Door stop for ETS (OA)**

Will be mounted as additional mechanical door stop and can be used with standard or slide arms (not possible in combination with clamp piece short)

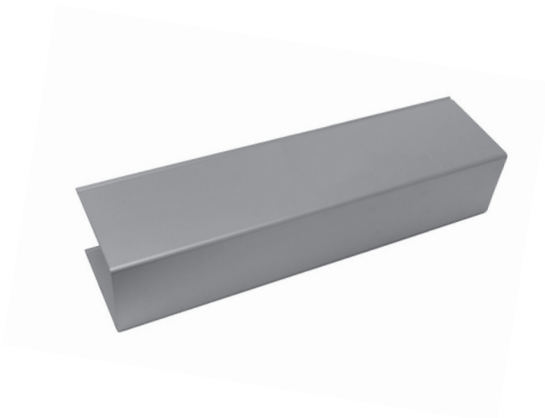
Door stop	Article number
OA ETS	358500450548106



**Clamp piece (axis extension)**

For use at special mountings

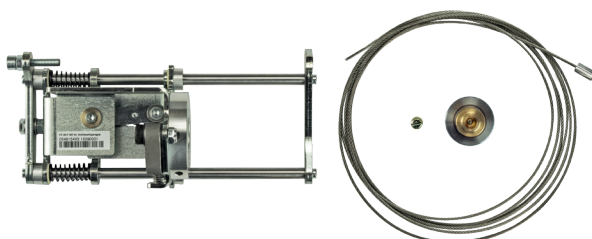
Clamp piece (axis extension)	Article number
KS short (-13 mm)	358500450548124
KS 20 (+20 mm)	358500450548125
KS 50 (+50 mm)	358500450548126



**Middle cladding set**

Consisting of mounting profile, stainless steel cladding and accessories. V-ETS set 1 length 1.200 mm for double leaf doors up to 2.600 mm. V-ETS-X will be shortened factory made on customer request (please specify hinge gap)

Cladding	Total length	Article number
V-ETS	1.200 mm	358500450548214
V-ETS-X	on customer request	on request



**Integrated closing sequence control (SRI)**

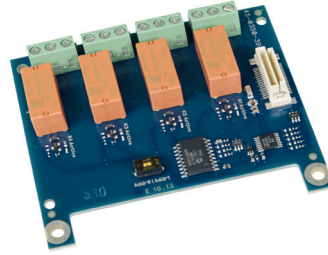
Kit for retrofitting a double leaf hold open device ETS 64-R with an integrated, mechanical closing sequence control. Approved by DiBt. Middle cladding set required

Integrated closing sequence control	Article number
SRI	338500450548154

**Relay board (RSP)**

Relay print (plug board) for retrofitting to the control board of ETS. 4 freely configurable relays for control of acoustic or optical signal generators or the signaling of the door status (e.g. open, close, locked, error)

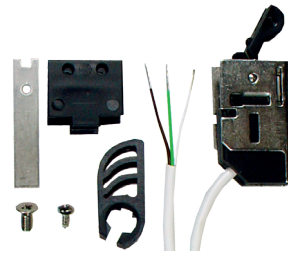
- Belated mounting possible



Relay board	Article number
RSP	5030014720

**Dead bolt switch contact (RSK)**

Dead bolt switch contact for installation in the closing plate. Switches the power unit off as soon as the lock is mechanically locked. This prevents a failure of the power unit when locking. Includes 6 m cable.

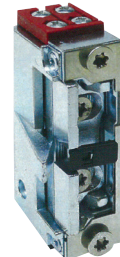


Dead bolt switch contact	Article number
Dead bolt switch contact (RSK)	5030019315

**Standard opener with smoke protection approval**

For use on smoke protection doors or doors without fire protection requirements. Door openers with red connection blocks are designed for 12 or 24 Volt (each +/- 15%) continuous operation.

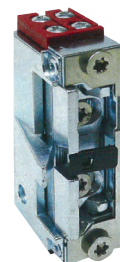
Standard opener with smoke protection approval	Article number
A-5002-B	5030014724
A-5002-FB (Latch guide)	5030023741



**Fire protection door opener**

For use on doors with fire protection requirements. Door openers with red connection blocks are designed for 12 or 24 Volt (each +/- 15%) continuous operation.

Fire protection door opener	Article number
FT-502-B	5030014726
FT-502-FB (Latch guide)	5030036502





**Control device D-BEDIX for ETS**

The duty type can be chosen directly using D-BEDIX. The most important door settings can be carried out easily. Duty types, menu settings and possible mistakes are clearly represented on the display.

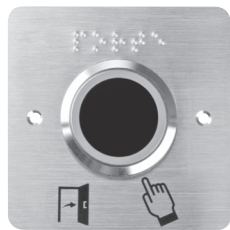
Control device	Article number
D-BEDIX	358500063514215



**Flip-switch with a large surface area (GFT)**

- Funktion: Door "open"
- Operating voltage: 250 V AC / 30 V DC
- Power consumption: max. 10 A AC / 2 A DC
- Degree of protection: IP 40
- Dimensions: 174 x 93 mm

Switch with a large surface area	Colour	Article number
GFT ECO AP/UP	White like RAL 9016	5030045153



**Contactless flat pushbutton (BFT)**

- Suitable for outdoor use
- Degree of protection: IP 65
- Reacts to approximation from approx. 10 cm
- incl. stainless steel sign 80 x 80 mm
- Indirectly illuminated (24 V from ETS)
- vandal-proof

Contactless flat pushbutton	Article number
BFT (Concealed mounting)	5030024865
BFT (Top-mounting, incl. stainless steel top mounting socket)	5030024866



**Contactless motion detector (Magic Switch)**

- only for indoor use
- reacts to approximation from 10cm up to 50 cm
- adjustment of detection field with potentiometer
- incl. KS-coverage 84 x 84 mm
- suitable for concealed mounting

Contactless motion detector	Article number
Magic Switch (white with hand symbol)	5030033582
Top-mounting socket for Magic Switch (white)	5030026428



## Operating and safety elements

### Radar „Eagle One“

Radar-motion detector as opening pulse generator for automatic doors, direction-sensitive  
Incl. pre-assembled connection cable, 5 m length.

Radar	Article number
Radar BEA „Eagle One“	5030027729
Rain cover ORA for „Eagle One“	5030033583

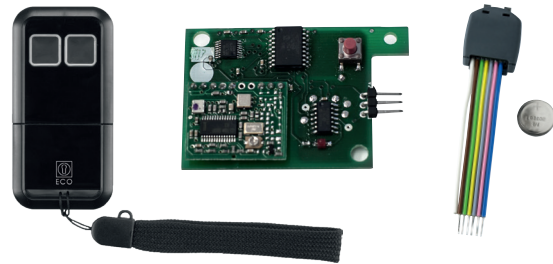


### Remote control set for ETS

for remote control of the drive and thus, for handi-capped accessible opening of the door  
Remote print for easy plug in on the control board of the ETS.

Radio remote control with range up to 10 m.

Remote control	Article number
Remote set (plug-in plate incl. radio remote control)	5030014727
Additional radio remote control	5030014699
Concealed mounting- radio receiver RCJ01	5030026336
Built in radio transmitter RTS03 (for example in GFT-ECO)	5030026335
4 channel Radio remote control (for RCJ01)	5030049002



### Sensor strips

Active infrared sensor for automatic doors.  
Secures the pedestrian traffic area. Stops and reverses when detecting obstacles.

- Incl. cable and overlying, flexible cable transition.
- **Set III** consists of 2 sensor strips per leaf (BEA), up to max. 1.200 mm
- **Set IV** consists of 2 sensor strips per leaf (BEA), up to max. 1.600 mm

Sensor strip	Article number
Set III	5030019133
Set IV	5030018592
Rain cover (for outdoor use) for sensor strips up to 1.100 mm	5030030550
Rain cover (for outdoor use) for sensor strips up to 1500 mm	5030034175
FS-foor adaptor (6mm drilling) (clamp block + slave cable)	5030041660



**DIN 18650** **EN 16005**

Rain cover

### Flatscan

Sensor for swing doors, to cover the whole leaf width and height on hinge and hinge-opposite side, as well as the secondary closing edges.

- Laser Scanner (Light transit time measurement)
- Power supply 12-24 V AV DC  $\pm 15\%$
- Power consumption  $\leq 2$  W
- Degree of protection: IP 54
- Dimensions: 142 x 55 x 23 mm
- Set consists of 2 sensors for hinge and hinge-opposite side

Sensor	Colour	Article number
Flatscan set	White RAL 9010	5030033586
Flatscan set	Black RAL 9005	5030033585
Flatscan set	Silver RAL 9006	5030033584
Weather roof (metal)* for Flatscan (piece)	Black RAL 9017	5030041861



**DIN 18650** **EN 16005**

\*protection against rain or radar

ECO Schulte GmbH & Co. KG  
Iserlohner Landstraße 89  
D - 58706 Menden

Telefon: +49 2373/9276-0  
Fax: +49 2373/9276-40

[info@eco-schulte.de](mailto:info@eco-schulte.de)  
[www.eco-schulte.de](http://www.eco-schulte.de)

© ECO Schulte GmbH & Co. KG - Änderungen vorbehalten  
© ECO Schulte GmbH & Co. KG - Subject to change