

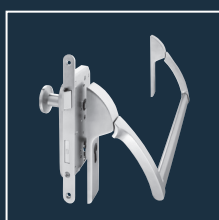
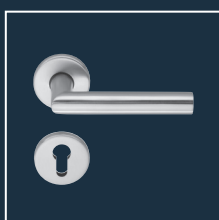


# ECO D-116 Security handle sets

Product information



## ■ SYSTEMTECHNOLOGY FOR THE DOOR



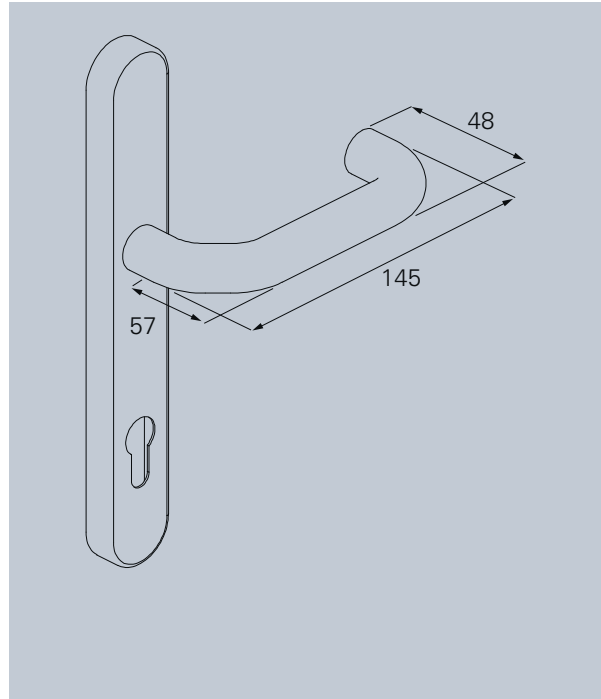
**Product characteristics**

Tested acc. to	<b>EN 1906</b>
With 9 mm spindle acc. to DIN 18273 fire protection tested	<b>F</b>
Lever form for escape doors and emergency exits	<b>EN 179</b>
Tested acc. to	<b>DIN 18 257</b>
Fixable bearing	■
Steel base in inner and outer plate	■
Concealed continous triple screw connection.	■
Inside with lever	■
DIN left / right	■

Classification key EN 1906

4	7	-	B1	1	4	2	U
---	---	---	----	---	---	---	---

■ Yes – No □ Option



Material:



ER  
Stainless steel



Al  
Aluminium

Bearing technology:



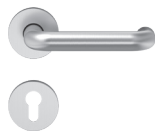
Profile frame door

**PRODUCT FAMILY D-100**

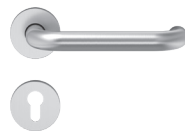
**Standard handle**



D-110



D-120



D-190

**Long- / short plate handle**

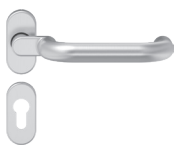


D-110



D-110

**Oval rose handle**



D-115



D-116

**Security handle**



D-110



D-111



D-116

**Window handle**



F-110



ECO Schulte GmbH & Co. KG  
Iserlohner Landstraße 89  
D - 58706 Menden

Telefon: +49 2373/9276-0  
Fax: +49 2373/9276-40

[info@eco-schulte.de](mailto:info@eco-schulte.de)  
[www.eco-schulte.de](http://www.eco-schulte.de)

© ECO Schulte GmbH & Co. KG - Änderungen vorbehalten  
© ECO Schulte GmbH & Co. KG - Subject to change