

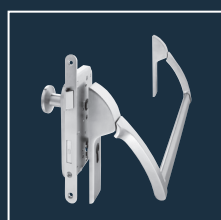
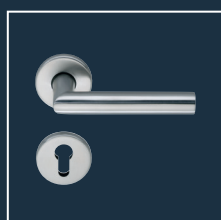


# ECO D-510 Combined security handle


Product information



## ■ SYSTEMTECHNOLOGY FOR THE DOOR



### Product characteristics

Tested acc. to	<b>EN 1906</b>
With 9 mm spindle acc. to DIN 18273 fire protection tested	<b>F</b>
Lever form for escape doors and emergency exits	<b>EN 179</b> 
Tested acc. to	<b>DIN 18 257</b>
Fixable bearing	■
Steel base in inner rose and outer plate	■
Concealed continuous screw connection	■
Inside with lever / OGL <b>Click</b>	■
DIN left / right	■
With or without return spring	A
Suitable for resistance class <b>RC 2</b>	■

Classification key EN 1906

4	7	-	B1/D1	1	4	2	A
---	---	---	-------	---	---	---	---

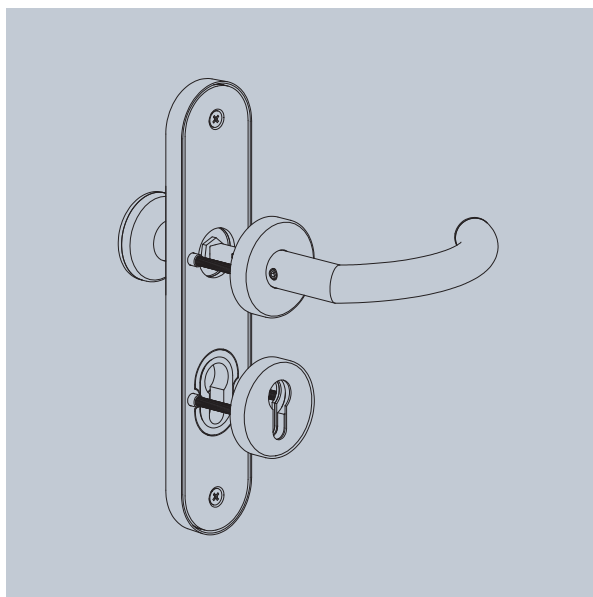
■ Yes – No □ Option



Steel door



Wooden door



Material:



ER  
Stainless steel



AI  
Aluminium

Bearing technology:



### PRODUCT FAMILY D-500

#### Standard handle



D-510

#### Oval rose handle



D-515

#### Long- / short plate handle



D-510

#### Combined security handle



D-510

# D-510 Combined security handle ES 1



## D-510 Combined security handle ES 1 with OGL Click

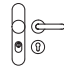
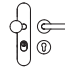
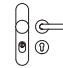
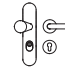


- Fixable (through ECO OGL Click-System) in maintenance-free friction bearing
- Approved for fire protection
- Burglary resistance class ES 1
- Suitable for resistance class RC 2
- Available with knobs K-130, K-160, K-165 and grip plates G-150, G-160, G-180
- Spring system A and U (A = With spring support / U = Without spring support)
- High-strength pin connection (grooved spindle with stamping grub screw)
- Permanent function class 4

### OG L – COMBINED SECURITY HANDLE



F = 4 7 - B1 1 4 2 A



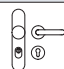

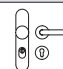
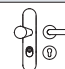

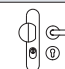
				Security handle ZA/Round rose handle PZ					
				K-130/D-510	K-160/D-510	K-165/D-510	G-150/D-510	G-160/D-510	G-180/D-510
	∅	Distnace	∇						
S	21 mm	72 mm	8 mm	5030048799	5030048800	5030048801	5030048802	5030048803	5030048804
F	21 mm	72 mm	9 mm	5030048805	5030048806	5030048807	5030048809	5030048810	5030048811

Finish: Stainless steel satin brushed, further colours on request



F = 4 7 - D1 1 4 2 A



				Security handle ZA/Round rose handle PZ					
				K-130/D-510	K-160/D-510	K-165/D-510	G-150/D-510	G-160/D-510	G-180/D-510
	∅	Distnace	∇						
S	22 mm	72 mm	8 mm	5030048857	5030048858	5030048859	5030048860	5030048861	5030048862
F	22 mm	72 mm	9 mm	5030048863	5030048864	5030048865	5030048866	5030048867	5030048868

Finish: Aluminium anodized F1, further colours and executions on request

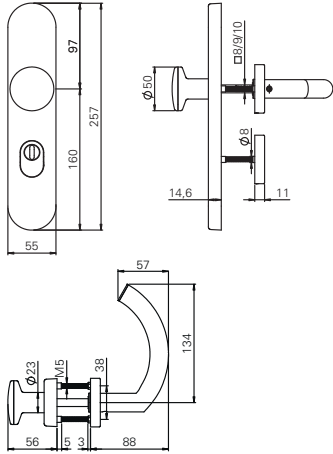
The execution ZA is designed for cylinder projections of 10 – 15 mm.

Standard handle for door thicknesses: 38 – 45 mm. F Fire protection doors for door thicknesses: 44 – 54 mm. Combined security handles for further door thicknesses on request.

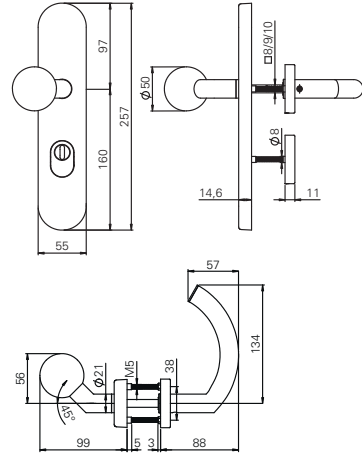
# D-510 Combined security handle ES 1

## Knobs

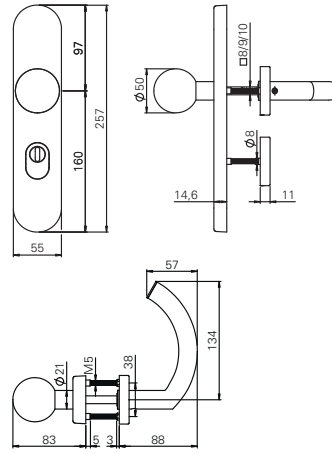
K-130 / D-510



K-160 / D-510

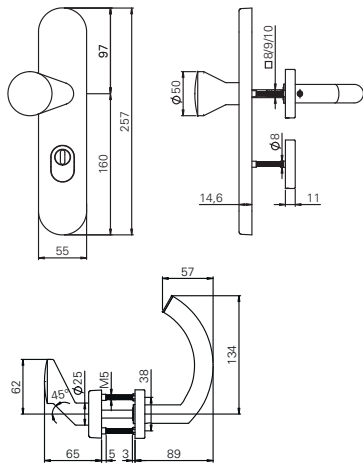


K-165 / D-510

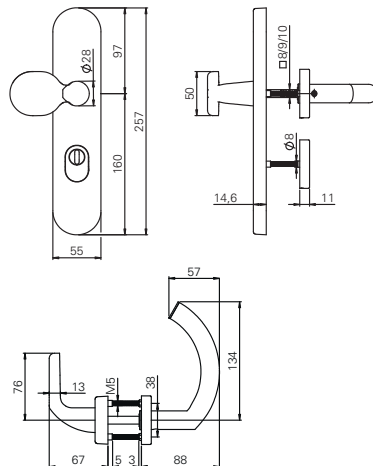


## Grip plates

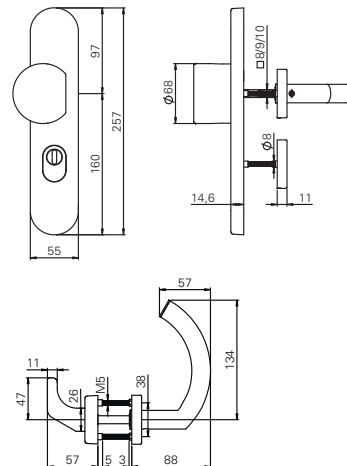
G-150 / D-510



G-160 / D-510



G-180 / D-510



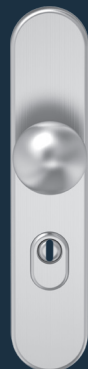
## Knobs



ES 1 Long plate  
ZA / K-130



ES 1 Long plate  
ZA / K-160



ES 1 Long plate  
ZA / K-165

## Grip plates



ES 1 Long plate  
ZA / G-150



ES 1 Long plate  
ZA / G-160



ES 1 Long plate  
ZA / G-180

ECO Schulte GmbH & Co. KG  
Iserlohner Landstraße 89  
D - 58706 Menden

Telefon: +49 2373/9276-0  
Fax: +49 2373/9276-40

[info@eco-schulte.de](mailto:info@eco-schulte.de)  
[www.eco-schulte.de](http://www.eco-schulte.de)

© ECO Schulte GmbH & Co. KG - Änderungen vorbehalten  
© ECO Schulte GmbH & Co. KG - Subject to change