

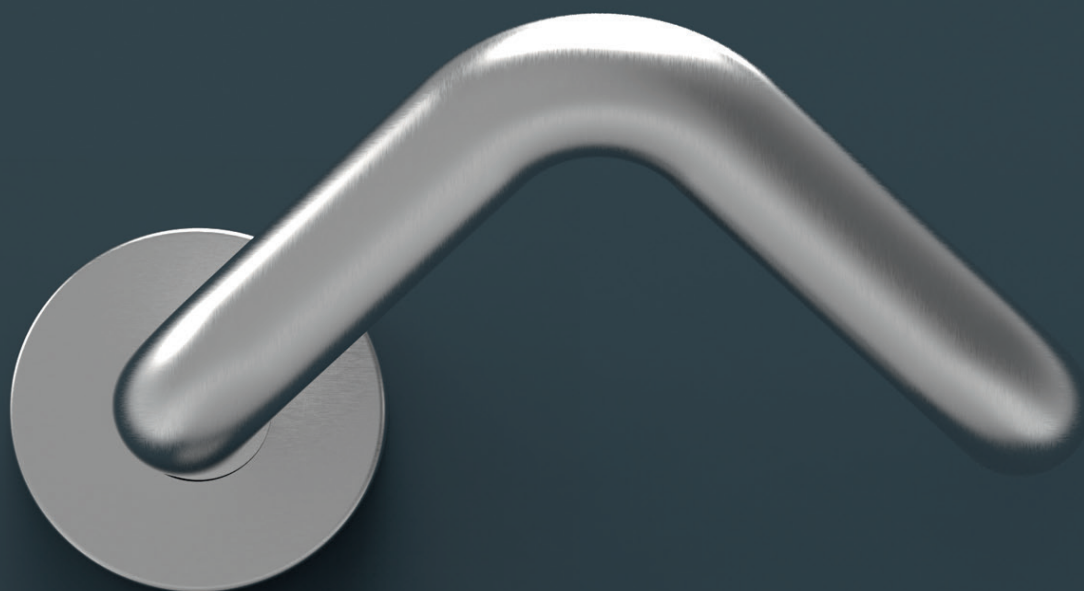
ECO  PROTECT Hands free

ECO D-910 BOW  
PRODUCT INFORMATION

■ SYSTEM TECHNOLOGY FOR THE DOOR



ECO D-910



**Leistungskriterien**

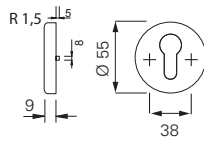
Tested acc. to	<b>EN 1906</b>								
With 9 mm spindle acc. to DIN 18273 fire protection tested	<b>F</b>								
Lever form for escape doors and emergency exits	<b>EN 179 </b>								
Return spring (Type A)	■								
Fixed sleeve nuts / positioning studs	■								
Drücker festdrehbar mit ECO Click	■								
maintenance-free friction bearing	■								
Steel base with nylon clip ring	■								
Concealed through-screw technology	■								
DIN-L/R	■								
EN 1906–Corrosion class 4	■								
Klassifizierungsschlüssel EN 1906									
<table border="1"> <tr> <td>4</td> <td>7</td> <td>-</td> <td>B1</td> <td>1</td> <td>4</td> <td>0</td> <td>A</td> </tr> </table>		4	7	-	B1	1	4	0	A
4	7	-	B1	1	4	0	A		
■ Ja – Nein    □ Option									

**D-910 Rundrosette**

**D-910 Round rose handle with OGL – friction bearing technology**

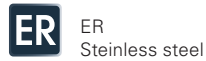
Lever guidance in maintenance-free friction bearing integrated in steel-/ nylon base rose. With spring support. Lever with fixable bearing and ECO **CLICK** System for quick assembly. Steel base with positioning studs. DIN left / DIN right usable. Concealed, continuous M5 screw connection.

Utilization category class 4. Positioning studs  $\varnothing 8 \times 5$  mm.



PZ  
FS-PZ

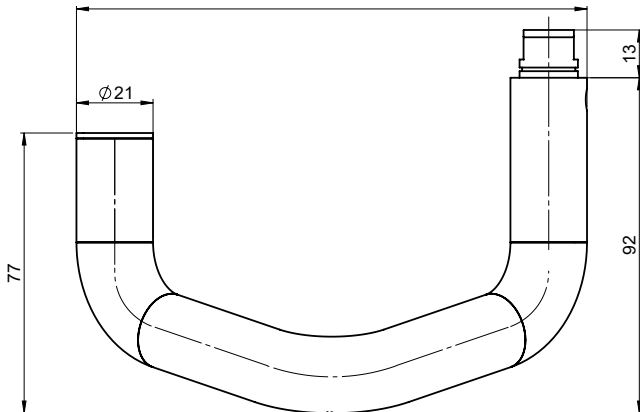
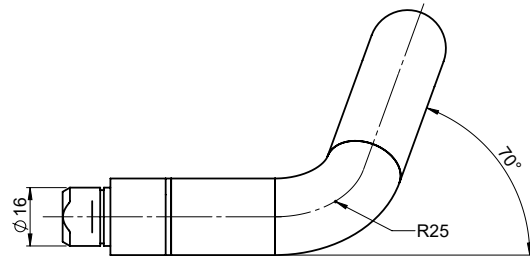
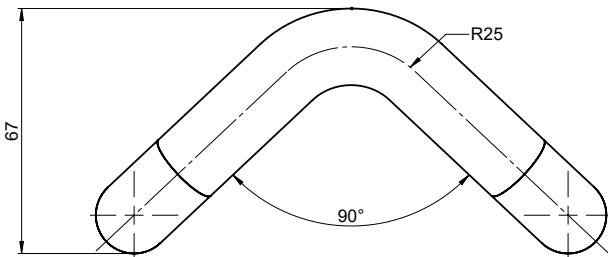
Material:



Bearing technology:



**OGL CLICK – ROUND ROSE HANDLE**



**F** = 4 7 - B1 1 4 0 A



EN 179 EN 1906 **F**

		Hygiene handle	
<b>S</b>	$\varnothing$ 21 mm	$\nabla$ 8 mm	5030058414
<b>F</b>	$\varnothing$ 21 mm	$\nabla$ 9 mm	5030058416

Finish: satin brushed

**ECO Schulte GmbH & Co. KG**

Iserlohner Landstraße 89

D-58706 Menden

Telephone +49 2373 9276 - 0

Telefax +49 2373 9276 - 40

[info@eco-schulte.de](mailto:info@eco-schulte.de)

[www.eco-schulte.de](http://www.eco-schulte.de)

■ SYSTEM TECHNOLOGY FOR THE DOOR

