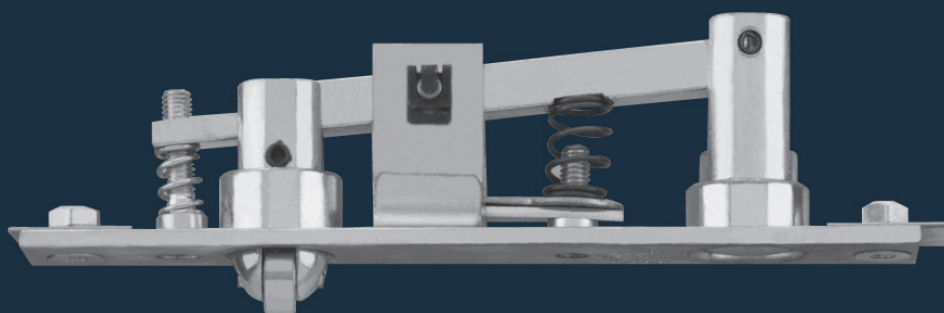


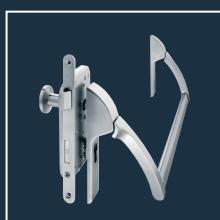
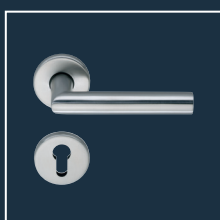


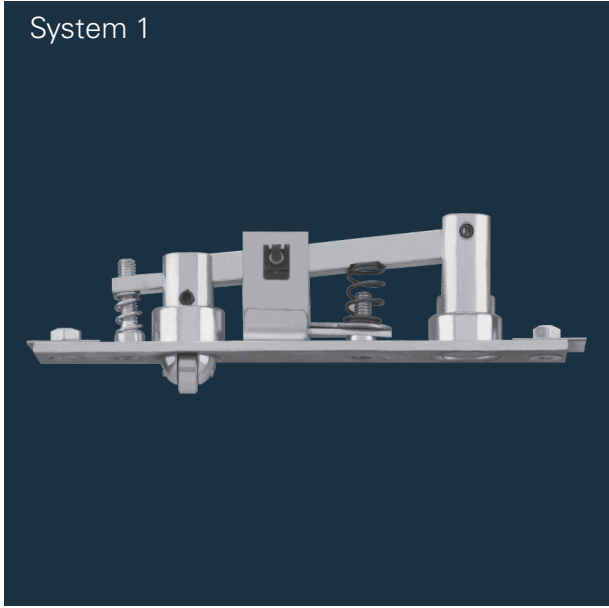
ECO Dual locking device 1

Product information



■ SYSTEM TECHNOLOGY FOR THE DOOR





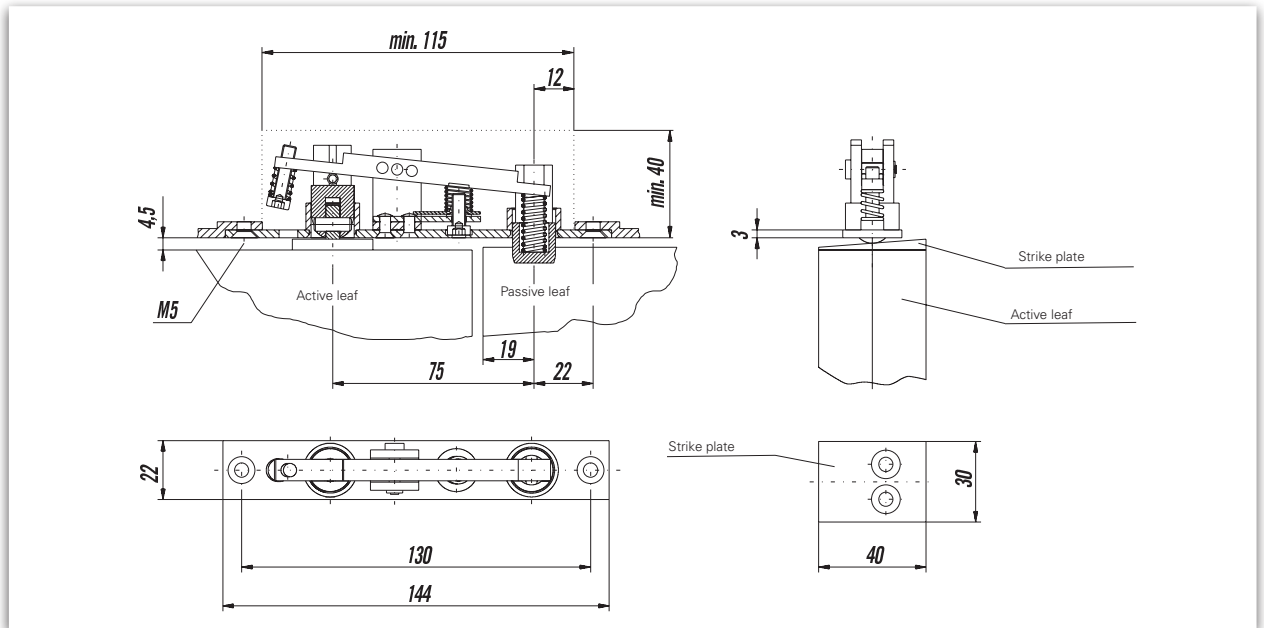
Dual locking device system 1

The passive door leaf is locked when the active door leaf is closed since the indexing bolt is pushed up, causing the locking bolt to engage in the passive door leaf. Drop stroke and resistance are adjustable.


The passive door leaf is likewise unlocked when the active door leaf is opened since the locking bolt is retracted by spring pressure. The pressure of the door closer ensures that the passive door leaf remains in closed position. Delivery includes striking plate.

DIN left / DIN right usable.

	Article number
Dual locking device system 1	20458550000000



Dimensioning: Dual locking device system 1 with roller latch

 The dual locking device system 1 with roller latch is also available with standard latch. Please contact us if you need this execution.

ECO Schulte GmbH & Co. KG
Iserlohner Landstraße 89
D - 58706 Menden

Telefon: +49 2373/9276-0
Fax: +49 2373/9276-40

info@eco-schulte.de
www.eco-schulte.de

© ECO Schulte GmbH & Co. KG - Änderungen vorbehalten
© ECO Schulte GmbH & Co. KG - Subject to change