

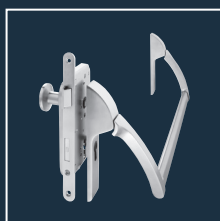
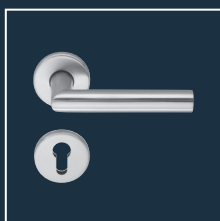
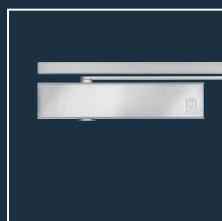


# ECO GBS 140



## Product information

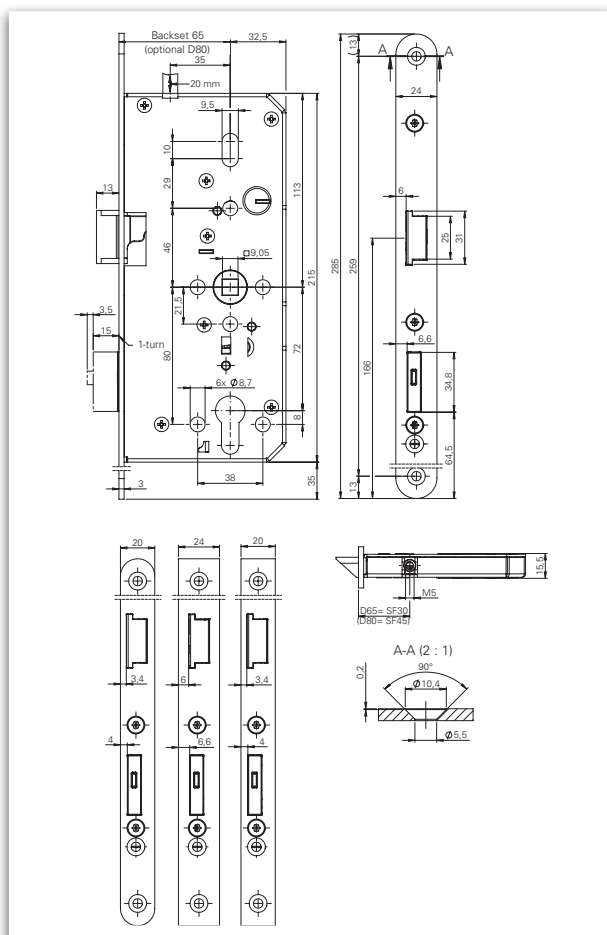


### ■ SYSTEM TECHNOLOGY FOR THE DOOR





Product characteristics		
Lock types	PZ-72	■
	RZ-74	□
Backset	65	■
	80	■
Panic function	B	■
	C	■
	D	■
	E	■
	without	■
Face plate	Stainless steel	■
Face plate width	20 round (rebate)	■
	24 round (flush)	■
Hub	9 mm	■
Suitable for the use on fire- and smoke control doors	<b>F</b>	■
Tested according to DIN / EN	<b>EN 179</b> 	<b>EN 1125</b> 
	<b>DIN 18 250</b>	<b>EN 12 209</b>
■ Yes - No □ On request		



### Description

- Mortise lock for fire- and smoke control doors prepared for an additional upwards latch
- Tested and approved acc. to **DIN 18250** and **EN 12 209**
- Panic execution: Tested and approved acc. to **EN 179** and **EN 1125**
- For double-leaf wooden- and steel doors as well as fire- and smoke control doors
- Necessary accessories: Locking rod with spring and snap lock
- Face plate square on request
- Related lock for passive leaf GBS 94

Individual stamping possible on request and at an extra charge.

**GBS 140 ■ Mortise lock for double-leaf fire doors ■ Prepared for an additional upwards latch****GBS 141 Panic function E**

Face plate finish	Backset in mm	Face plate form	Face plate 20 x 285 mm / PZ-72 (handle / knob execution)		Face plate 24 x 285 mm / PZ-72 (handle / knob execution)	
			DIN left	DIN right	DIN left	DIN right
Stainless steel	65	round	20141ja02H34300	20141ja02H34400	20141ja02M34300	20141ja02M34400
	80	round	20141ma02H34300	20141ma02H34400	20141ma02M34300	20141ma02M34400

**GBS 142 Panic function D**

Face plate finish	Backset in mm	Face plate form	Face plate 20 x 285 mm / PZ-72		Face plate 24 x 285 mm / PZ-72	
			DIN left	DIN right	DIN left	DIN right
Stainless steel	65	round	20142ja02H35100	20142ja02H35200	20142ja02M35100	20142ja02M35200
	80	round	20142ma02H35100	20142ma02H35200	20142ma02M35100	20142ma02M35200

**GBS 143 Panic function B**

Face plate finish	Backset in mm	Face plate form	Face plate 20 x 285 mm / PZ-72		Face plate 24 x 285 mm / PZ-72	
			DIN left	DIN right	DIN left	DIN right
Stainless steel	65	round	20143ja02H33100	20143ja02H33200	20143ja02M33100	20143ja02M33200
	80	round	20143ma02H33100	20143ma02H33200	20143ma02M33100	20143ma02M33200

**GBS 144 Panic function C**

Face plate finish	Backset in mm	Face plate form	Face plate 20 x 285 mm / PZ-72		Face plate 24 x 285 mm / PZ-72	
			DIN left	DIN right	DIN left	DIN right
Stainless steel	65	round	20144ja02H32100	20144ja02H32200	20144ja02M32100	20144ja02M32200
	80	round	20144ma02H32100	20144ma02H32200	20144ma02M32100	20144ma02M32200

ECO Schulte GmbH & Co. KG  
Iserlohner Landstraße 89  
D - 58706 Menden

Telefon: +49 2373/9276-0  
Fax: +49 2373/9276-40

[info@eco-schulte.de](mailto:info@eco-schulte.de)  
[www.eco-schulte.de](http://www.eco-schulte.de)

© ECO Schulte GmbH & Co. KG - Änderungen vorbehalten  
© ECO Schulte GmbH & Co. KG - Subject to change