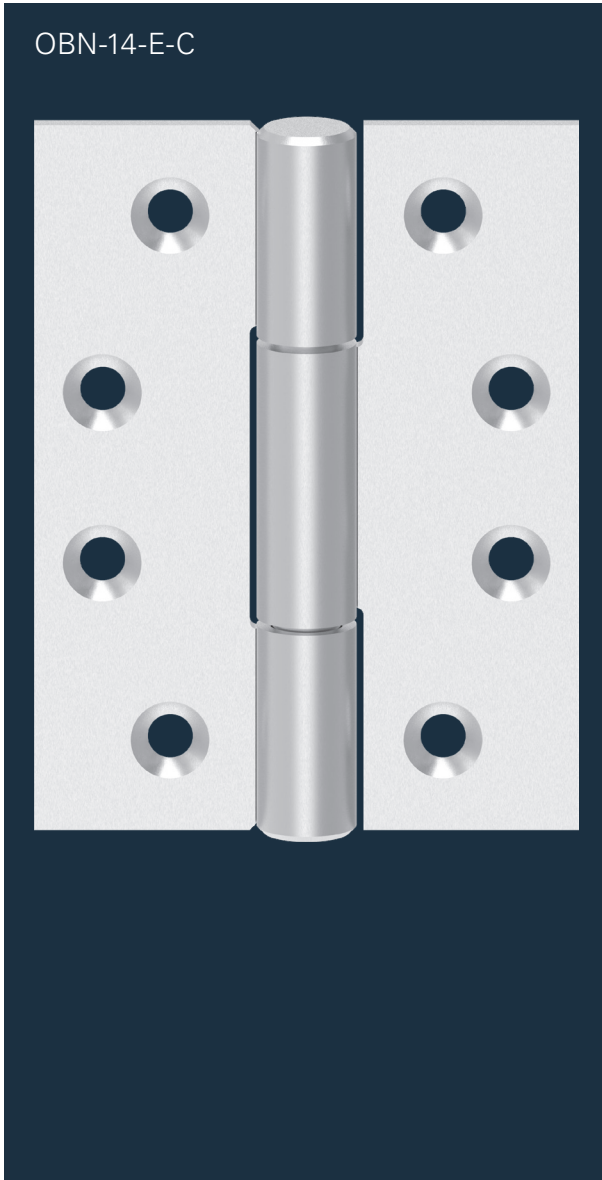


PRODUCT INFORMATION

ECO HORIZON PROJECT HINGES
OBN-14-E-C

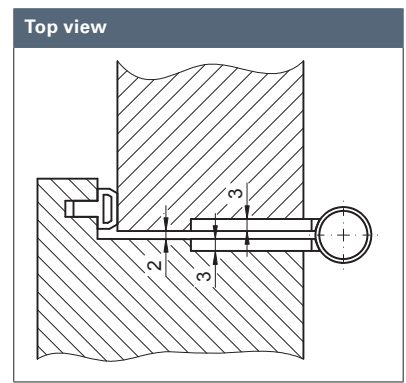
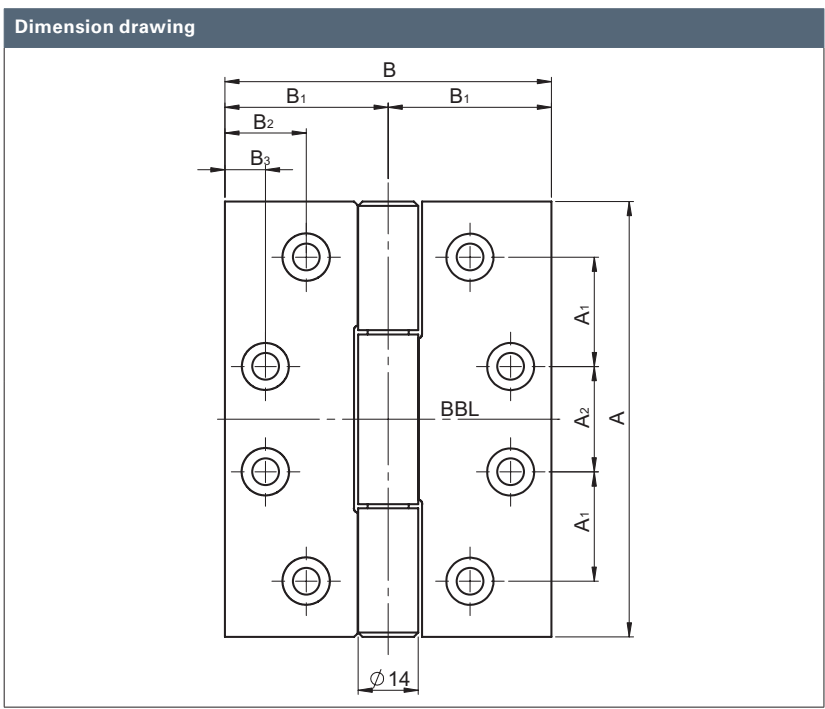
■ SYSTEM TECHNOLOGY FOR THE DOOR



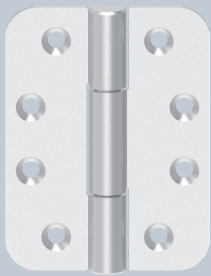


Product characteristics		
Ø Barrel diameter		14 mm
Material thickness		3 mm
Screws		M5 x 16
DIN left / DIN right		■
hole pattern	C-shape	■
	Z-shape	-
Door types	rebated	-
	unrebated	■
Frame types	Wood	■
	Steel	■
Suitable for fire doors	F	■
Loading capacity class 14	EN 1935 CE	■
Door weight	acc. to Norm	160 kg
Material	Stainless steel (ER)	■
Finishes	Stainless steel satin	■
	ER polished	-
	PVD coating	□
	Coating in RAL colours	□

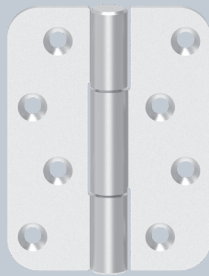
■ Yes - No □ On request



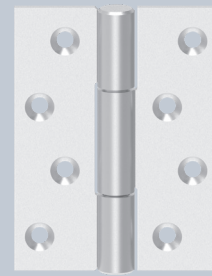
PRODUCT FAMILY ■ FOR MORTISE FLUSH DOOR 3D HINGE



OBN-14-R-C round C-Shape



OBN-14-R-Z round Z-Shape



OBN-14-E-Z edged Z-Shape



Description

ECO Horizon project hinge OBN-14-E-C edged C-Shape

- For unrebated doors wooden or steel frames
- Inner, firmly rotating axis
- Wear and maintenance-free ball bearing and patented technology
- Suitable for fire doors
- Can be used DIN left / DIN right without modification
- invisible axis connection (without cover head)

F **EN 1935** **CE** **ER**  Wooden door  Steel door

OBN-14-E-C edged C-Shape for mortise flush door 3D hinge	Dimensions A x B inch	Dimensions A x B mm	A1 mm	A2 mm	B1 mm	B2 mm	B3 mm	Art-No.
OBN-14-4030-E-C.ER	4 x 3 inch	101,6 x 76,2 mm	25,5 mm	24,6 mm	38,1 mm	19 mm	9,5 mm	5030047531
OBN-14-4035-E-C.ER	4 x 3,5 inch	101,6 x 88,9 mm	25,5 mm	24,6 mm	44,45 mm	19 mm	9,5 mm	5030047532
OBN-14-4040-E-C.ER	4 x 4 inch	101,6 x 101,6 mm	25,5 mm	24,6 mm	50,8 mm	19 mm	9,5 mm	5030047533
OBN-14-4540-E-C.ER	4,5 x 4 inch	114,3 x 101,6 mm	28,6 mm	31,3 mm	50,8 mm	25,4 mm	9,5 mm	5030048013
OBN-14-5030-E-C.ER	5 x 3 inch	127 x 76,2 mm	31,75 mm	37,7 mm	38,1 mm	19 mm	9,5 mm	5030048015
OBN-14-5035-E-C.ER	5 x 3,5 inch	127 x 88,9 mm	31,75 mm	37,7 mm	44,45 mm	25,4 mm	9,5 mm	on request
OBN-14-5040-E-C.ER	5 x 4 inch	127 x 101,6 mm	31,75 mm	37,7 mm	50,8 mm	25,4 mm	9,5 mm	5030048019
OBN-14-5050-E-C.ER	5 x 5 inch	127 x 127 mm	31,75 mm	37,7 mm	63,5 mm	25,4 mm	9,5 mm	5030048023

ECO Schulte GmbH & Co. KG

Iserlohner Landstraße 89

D-58706 Menden

Telephone +49 2373 9276 - 0

Telefax +49 2373 9276 - 40

info@eco-schulte.de

www.eco-schulte.de

■ SYSTEM TECHNOLOGY FOR THE DOOR

