



# PRODUCT INFORMATION

ECO HORIZON PROJECT HINGES  
OBX-18-1531/120 / -RC-A / -RC-B  
STANDARD & LIFTING LUG

■ SYSTEM TECHNOLOGY FOR THE DOOR

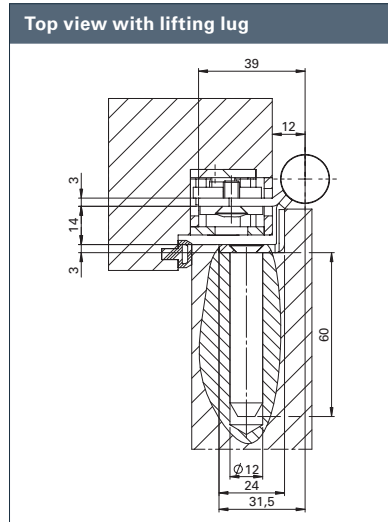
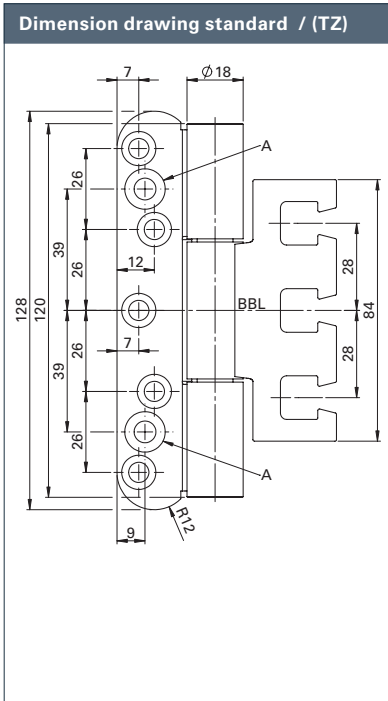




### Product characteristics

Size		120 mm
Ø Barrel diameter		18 mm
Material thickness		3 mm
Screws		5 x 50 mm
DIN left / DIN right		■
Milling diameter		24 mm
Milling length		128 mm
Milling depth		3 mm
Door types	rebated	■
	unrebated	-
Frame types	Wood	■
	Steel	■
	Aluminium	■
Suitable for fire doors	<b>F</b>	■
Loading capacity class 14 (door weight)	<b>EN 1935</b> <b>CE</b>	■
	acc. to Norm	160 kg
	ECO loading capacity	160 kg
Material	Stainless steel (ER)	■
Reception elements	For upright standing pillars	OBX-3001-3D
	For timber frames	OBX-3002-3D
	For steel frames	OBX-3011-3D
		OBX-3012-3D
	For aluminium frames	OBX-3021-3D

■ Yes - No ■ On request



A: Only for version with lifting lug. ■ Adjustable framebox OBX 3D series must be ordered separately. Lifting lugs/screws must be ordered separately.

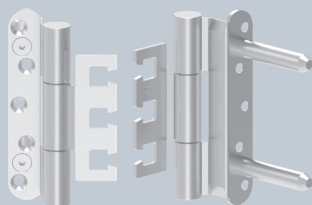
hinge with standard shape

Standard



OBX-18-1531/120

with lifting lug



OBX-18-1531/120 TZ

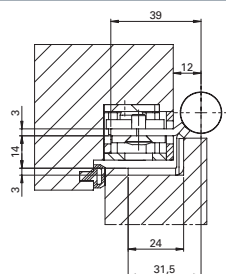
**Description**

ECO **Horizon project hinge OBX-18-1531/120**

- For rebated doors on wooden, steel or aluminium frames
- With OBX adjustable frame box adjustable in three dimensions
- Inner, firmly rotating axis
- Wear and maintenance-free ball bearing technology

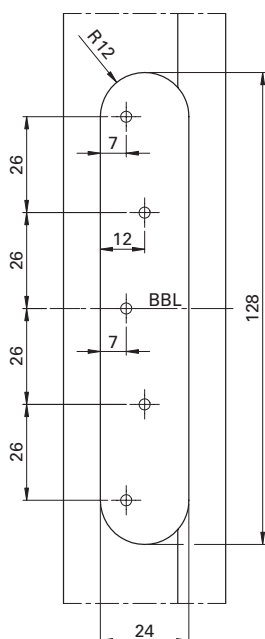
- Perfectly closed hinge roll without cover head
- Suitable for fire doors
- Can be used DIN left / DIN right without modification
- EN 1935: Class 14 / 160 kg

Top view standard

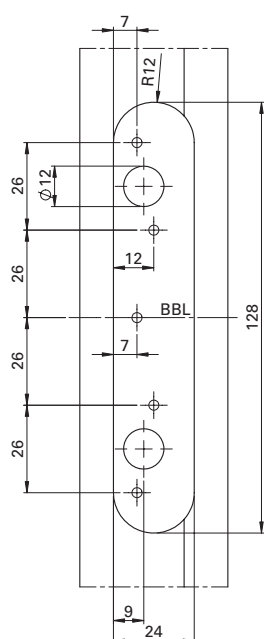


OBX-18-1531/120 for mortise rebated door 3D hinge	Dimensions	Art-No.
OBX-18-1531/120 ER	Ø 18 x 120 mm	5030053683
OBX-18-1531/120 TZ ER	Ø 18 x 120 mm	5030055299

Milling drawing standard



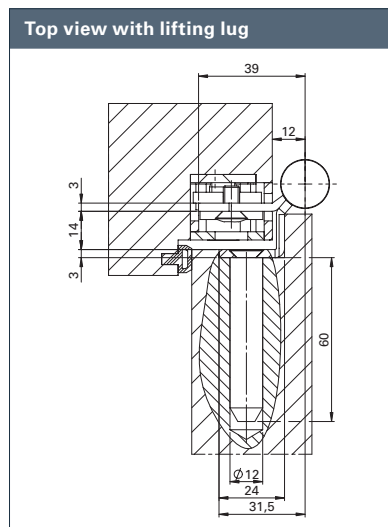
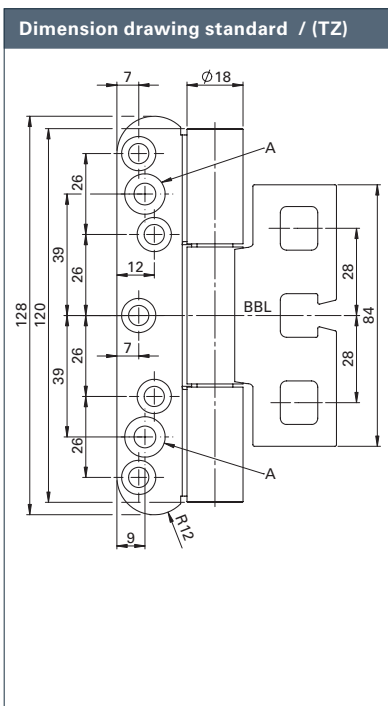
Milling drawing liftung lug (TZ)





Product characteristics		
Size		120 mm
Ø Barrel diameter		18 mm
Material thickness		3 mm
Screws		5 x 50 mm
DIN left / DIN right		■
Milling diameter		24 mm
Milling length		128 mm
Milling depth		3 mm
Door types	rebated	■
	unrebated	-
Frame types	Wood	■
	Steel	■
	Aluminium	■
Suitable for fire doors	<b>F</b>	■
Loading capacity class 14 (door weight)	<b>EN 1935</b> <b>CE</b>	■
	acc. to Norm	160 kg
	ECO loading capacity	160 kg
Material	Stainless steel (ER)	■
Reception elements	For upright standing pillars	OBX-3001-3D
	For timber frames	OBX-3002-3D
	For steel frames	OBX-3011-3D
		OBX-3012-3D
For aluminium frames	OBX-3021-3D	

■ Yes   - No   □ On request



A: Only for version with lifting lug. ■ Adjustable framebox OBX 3D series must be ordered separately. Lifting lugs/screws must be ordered separately.



ECO

Project hinges ■ OBX-18 ■ for mortise rebated door 3D hinge

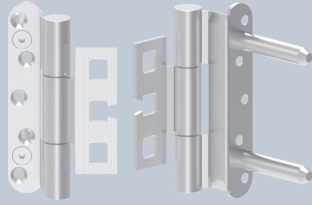
hinge with RC-A shape

Standard



OBX-18-1531/120-RC-A

with lifting lug



OBX-18-1531/120-RC-A TZ

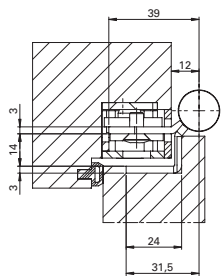
Description

ECO Horizon project hinge OBX-18-1531/120-RC-A

- For rebated doors on wooden, steel or aluminium frames
- With OBX adjustable frame box adjustable in three dimensions
- Inner, firmly rotating axis
- Wear and maintenance-free ball bearing technology

- Perfectly closed hinge roll without cover head
- Suitable for burglar-resistant elements
- Suitable for fire doors
- Can be used DIN left / DIN right without modification EN 1935: Class 14 / 160 kg

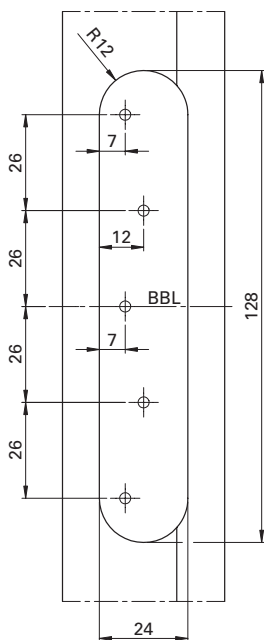
Top view standard



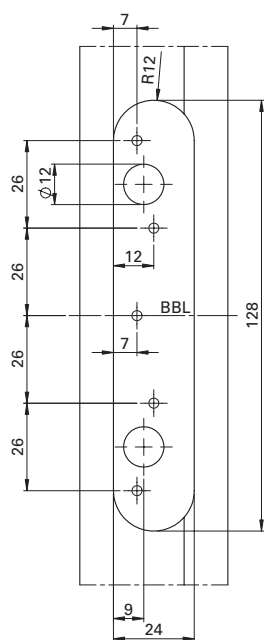
OBX-18-1531/120-RC-A for mortise rebated door 3D hinge

	Dimensions	Art-No.
OBX-18-1531/120-RC-A ER	Ø 18 x 120 mm	5030054310
OBX-18-1531/120-RC-A TZ ER	Ø 18 x 120 mm	5030055300

Milling drawing standard



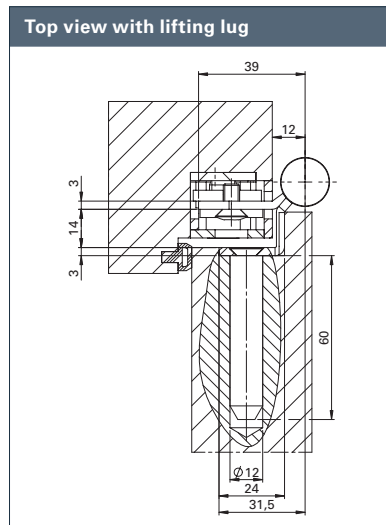
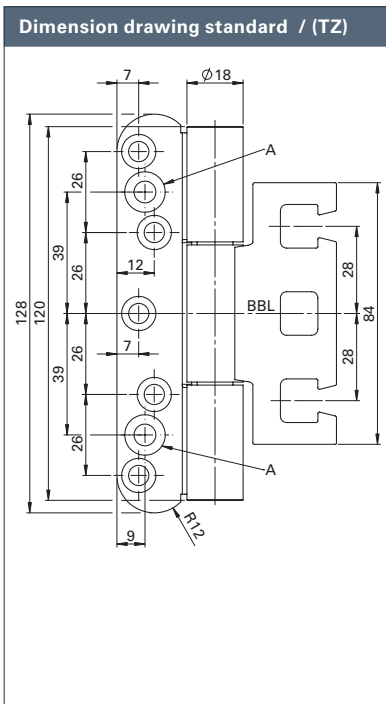
Milling drawing liftung lug (TZ)





Product characteristics		
Size		120 mm
Ø Barrel diameter		18 mm
Material thickness		3 mm
Screws		5 x 50 mm
DIN left / DIN right		■
Milling diameter		24 mm
Milling length		128 mm
Milling depth		3 mm
Door types	rebated	■
	unrebated	-
Frame types	Wood	■
	Steel	■
	Aluminium	■
Suitable for fire doors	<b>F</b>	■
Loading capacity class 14 (door weight)	<b>EN 1935</b> <b>CE</b>	■
	acc. to Norm	160 kg
	ECO loading capacity	160 kg
Material	Stainless steel (ER)	■
Reception elements	For upright standing pillars	OBX-3001-3D
	For timber frames	OBX-3002-3D
	For steel frames	OBX-3011-3D
		OBX-3012-3D
For aluminium frames	OBX-3021-3D	

■ Yes - No □ On request



A: Only for version with lifting lug. ■ Adjustable framebox OBX 3D series must be ordered separately. Lifting lugs/screws must be ordered separately.



ECO

**Project hinges ■ OBX-18 ■ for mortise rebated door 3D hinge**

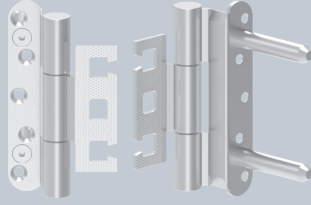
**hinge with RC-B shape**

**Standard**



OBX-18-1531/120-RC-B

**with lifting lug**



OBX-18-1531/120-RC-B TZ

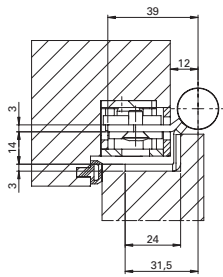
**Description**

**ECO Horizon project hinge OBX-18-1531/120-RC-B**

- For rebated doors on wooden, steel or aluminium frames
- With OBX adjustable frame box adjustable in three dimensions
- Inner, firmly rotating axis
- Wear and maintenance-free ball bearing technology

- Perfectly closed hinge roll without cover head
- Suitable for burglar-resistant elements
- Suitable for fire doors
- Can be used DIN left / DIN right without modification EN 1935: Class 14 / 160 kg

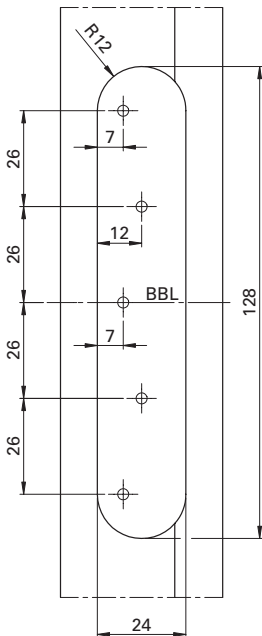
**Top view standard**



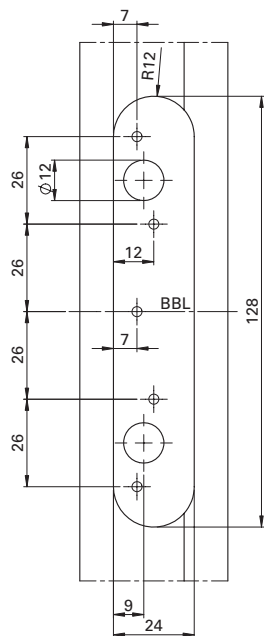
**F** **EN 1935** **CE** **ER** Wooden door

OBX-18-1531/120-RC-B for mortise rebated door 3D hinge	Dimensions	Art-No.
OBX-18-1531/120-RC-B ER	Ø 18 x 120 mm	5030054314
OBX-18-1531/120-RC-B TZ ER	Ø 18 x 120 mm	5030055301

**Milling drawing standard**



**Milling drawing lifting lug (TZ)**



ECO Schulte GmbH & Co. KG

Iserlohner Landstraße 89

D-58706 Menden

Telephone +49 2373 9276 - 0

Telefax +49 2373 9276 - 40

[info@eco-schulte.de](mailto:info@eco-schulte.de)

[www.eco-schulte.de](http://www.eco-schulte.de)

■ SYSTEM TECHNOLOGY FOR THE DOOR

