



PRODUCT INFORMATION

ECO HORIZON PROJECT HINGES
OBX-18-1532/160-FD / -RC-A / -RC-B
STANDARD, LIFTING LUG &
SECURING PINS

■ SYSTEM TECHNOLOGY FOR THE DOOR

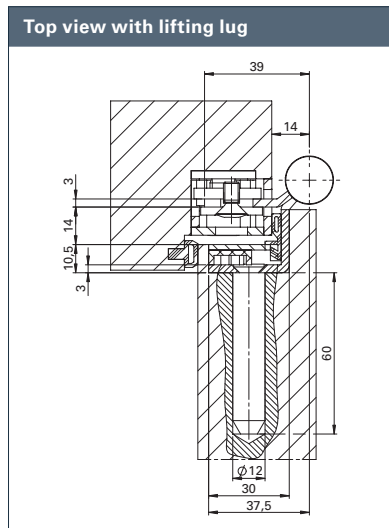
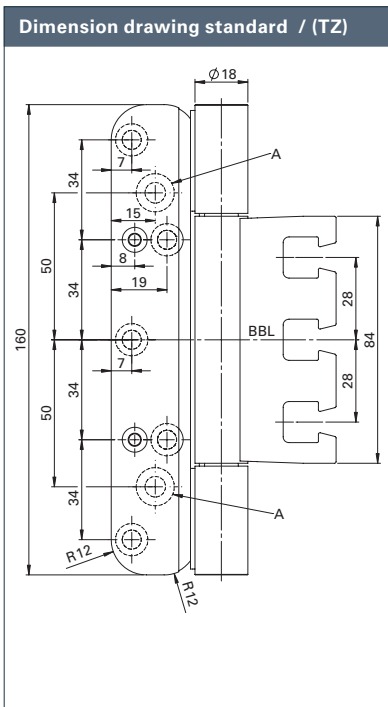




Product characteristics

Size	160 mm	
Ø Barrel diameter	18 mm	
Material thickness	3 mm	
Screw cover angle	Ø 3,5 x 25 mm	
Screw hinge	Ø 5 x 50 mm	
DIN left / DIN right	■	
Milling diameter	24 mm	
Milling length	160 mm	
Milling depth	10,5 mm	
Door types	rebated	■
	unrebated	-
Frame types	Wood	■
	Steel	■
	Aluminium	■
Suitable for fire doors	F	■
Loading capacity class 14 (door weight)	EN 1935 CE	■
	acc. to Norm	80 kg
	ECO loading capacity	160 kg
Material	Stainless steel (ER)	■
Reception elements	For upright standing pillars	OBX-3001-3D
	For timber frames	OBX-3002-3D
	For steel frames	OBX-3011-3D
		OBX-3012-3D
For aluminium frames	OBX-3021-3D	

■ Yes - No ■ On request



A: Only for version with lifting lug. ■ Adjustable framebox OBX 3D series must be ordered separately. Lifting lugs/screws must be ordered separately.

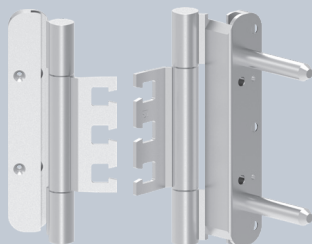
hinge with standard shape

Standard



OBX-18-1532/160-FD

with lifting lug



OBX-18-1532/160-FD TZ

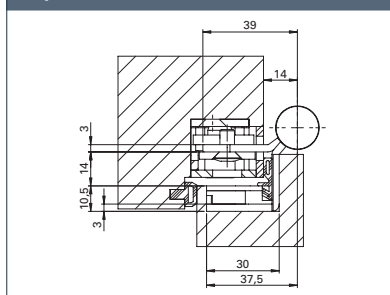
Description

ECO Horizon project hinge OBX-18-1532/160-FD

- For rebated soundproof doors on wooden, steel or aluminium frames
- With OBX adjustable frame box adjustable in three dimensions
- Inner, firmly rotating axis

- Wear and maintenance-free ball bearing technology
- Perfectly closed hinge roll without cover head
- Suitable for fire doors
- Can be used DIN left / DIN right without modification
- EN 1935: Class 14 / 160 kg

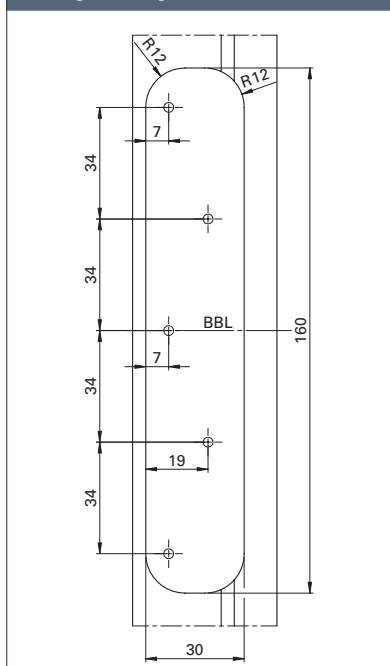
Top view standard



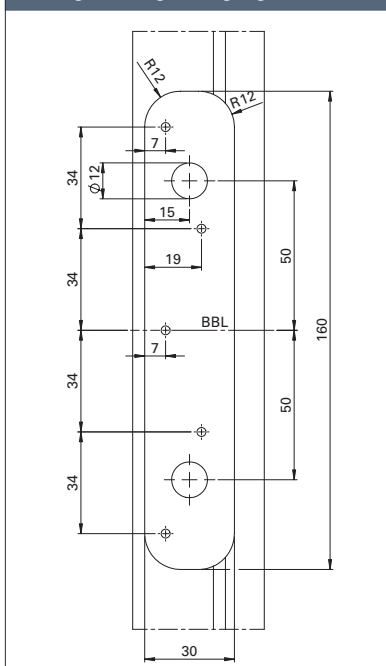
F **EN 1935** **CE** **ER**  Wooden door

OBX-18-1532/160-FD for mortise rebated door 3D hinge	Dimensions	Art-No.
OBX-18-1532/160-FD ER	Ø 18 x 160 mm	5030049358
OBX-18-1532/160-FD TZ ER	Ø 18 x 160 mm	5030050078

Milling drawing standard



Milling drawing lifting lug (TZ)



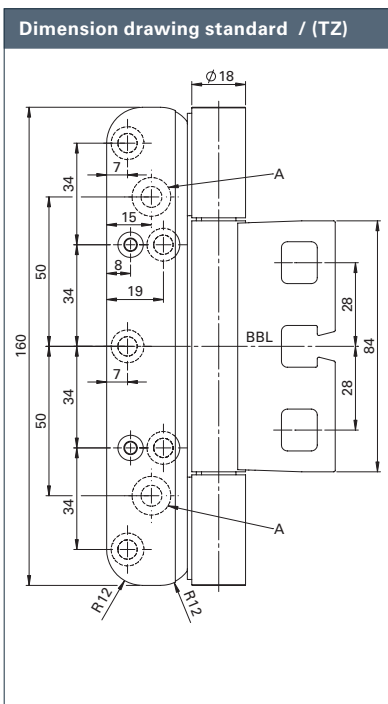


OBX-18-1532/160-FD-RC-A

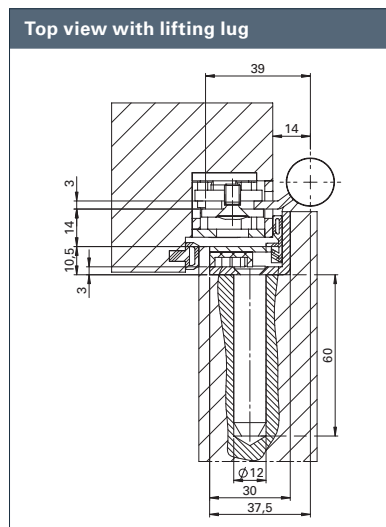
Product characteristics

Size	160 mm	
Ø Barrel diameter	18 mm	
Material thickness	3 mm	
Screw cover angle	Ø 3,5 x 25 mm	
Screw hinge	Ø 5 x 50 mm	
DIN left / DIN right	■	
Milling diameter	24 mm	
Milling length	160 mm	
Milling depth	10,5 mm	
Door types	rebated	■
	unrebated	-
Frame types	Wood	■
	Steel	■
	Aluminium	■
Suitable for fire doors	F	■
Loading capacity class 14 (door weight)	EN 1935 CE	■
	acc. to Norm	80 kg
	ECO loading capacity	160 kg
Material	Stainless steel (ER)	■
Reception elements	For upright standing pillars	OBX-3001-3D
	For timber frames	OBX-3002-3D
	For steel frames	OBX-3011-3D
		OBX-3012-3D
	For aluminium frames	OBX-3021-3D

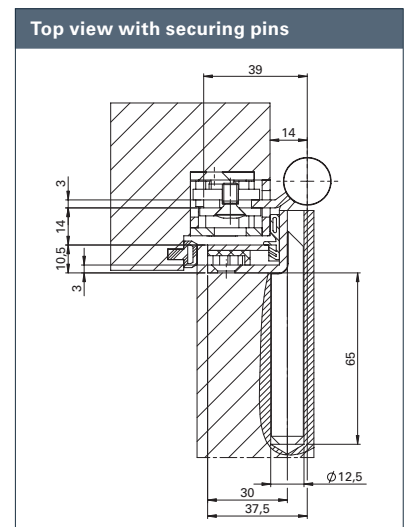
■ Yes - No ■ On request



Dimension drawing standard / (TZ)



Top view with lifting lug



Top view with securing pins

A: Only for version with lifting lug. ■ Adjustable framebox OBX 3D series must be ordered separately. Lifting lugs/screws must be ordered separately.

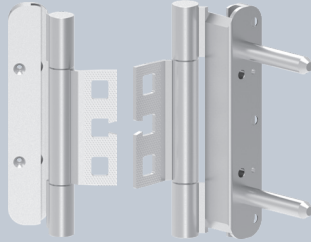
hinge with RC-A shape

Standard



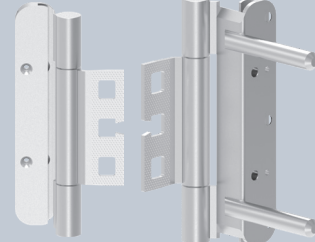
OBX-18-1532/160-FD-RC-A

with lifting lug



OBX-18-1532/160-FD-RC-A TZ

with securing pins



OBX-18-1532/160-FD-RC-A SI

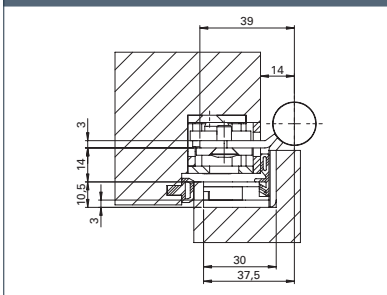
Description

ECO Horizon project hinge OBX-18-1532/160-FD-RC-A

- For rebated soundproof doors on wooden, steel or aluminium frames
- With OBX adjustable frame box adjustable in three dimensions
- Inner, firmly rotating axis

- Wear and maintenance-free ball bearing technology
- Perfectly closed hinge roll without cover head
- Suitable for fire doors
- Can be used DIN left / DIN right without modification
- EN 1935: Class 14 / 160 kg

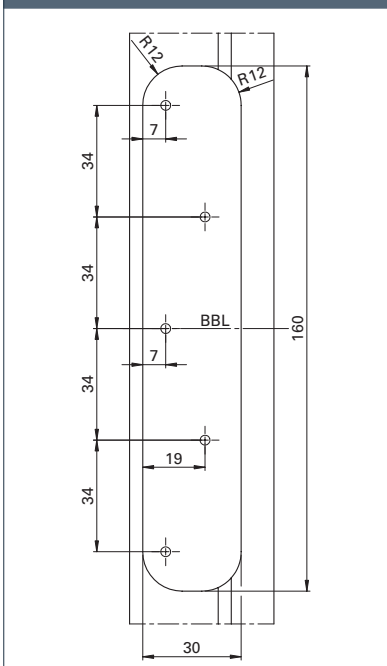
Top view standard



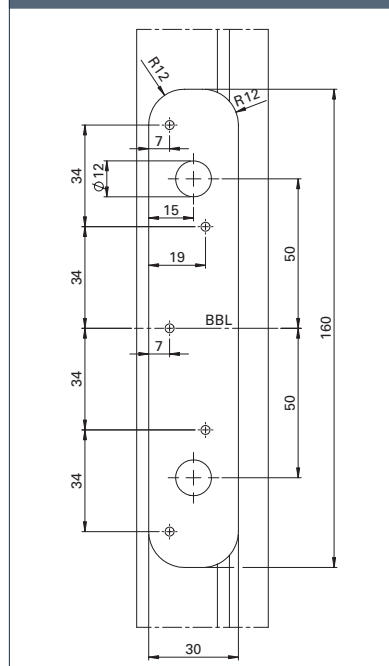
F **EN 1935** **CE** **ER**  Wooden door

OBX-18-1532/160-FD-RC-A for mortise rebated door 3D hinge	Dimensions	Art-No.
OBX-18-1532/160-FD-RC-A ER	Ø 18 x 160 mm	5030054207
OBX-18-1532/160-FD-RC-A TZ ER	Ø 18 x 160 mm	5030055294
OBX-18-1532/160-FD-RC-A SI ER	Ø 18 x 160 mm	5030054211

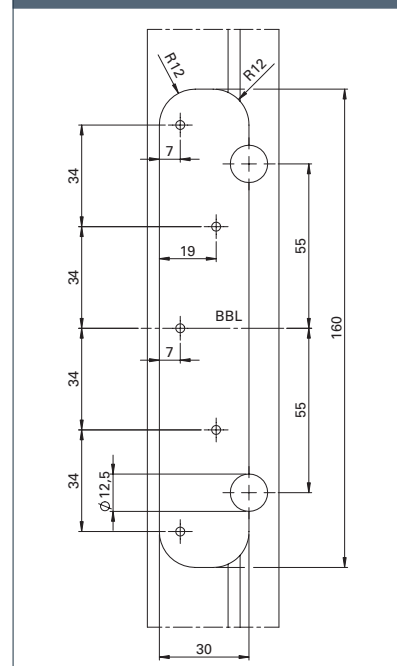
Milling drawing standard



Milling drawing lifting lug (TZ)



Milling drawing securing pins (SI)



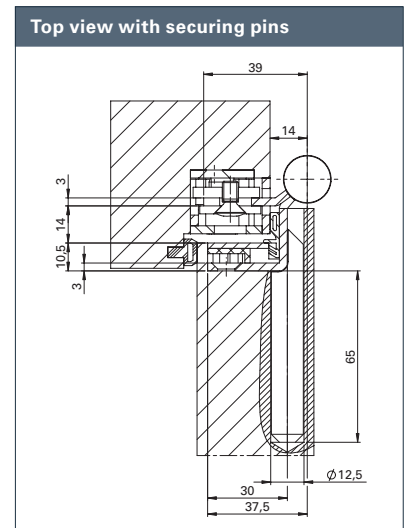
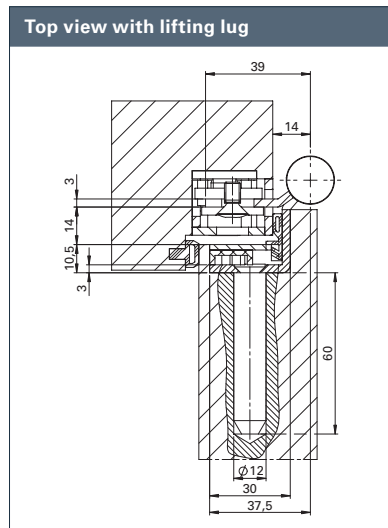
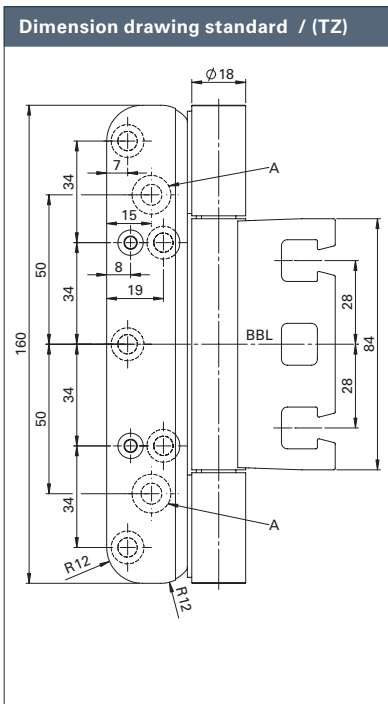


OBX-18-1532/160-FD-RC-B

Product characteristics

Size	160 mm	
Ø Barrel diameter	18 mm	
Material thickness	3 mm	
Screw cover angle	Ø 3,5 x 25 mm	
Screw hinge	Ø 5 x 50 mm	
DIN left / DIN right	■	
Milling diameter	24 mm	
Milling length	160 mm	
Milling depth	10,5 mm	
Door types	rebated	■
	unrebated	-
Frame types	Wood	■
	Steel	■
	Aluminium	■
Suitable for fire doors	F	■
Loading capacity class 14 (door weight)	EN 1935 CE	■
	acc. to Norm	80 kg
	ECO loading capacity	160 kg
Material	Stainless steel (ER)	■
	Reception elements For upright standing pillars	OBX-3001-3D
		OBX-3002-3D
	For steel frames	OBX-3011-3D
		OBX-3012-3D
For aluminium frames	OBX-3021-3D	

■ Yes - No ■ On request



A: Only for version with lifting lug. ■ Adjustable framebox OBX 3D series must be ordered separately. Lifting lugs/screws must be ordered separately.

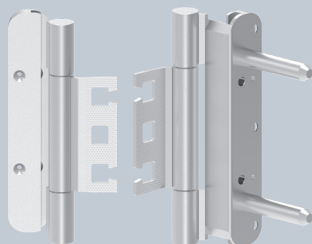
hinge with RC-B shape

Standard



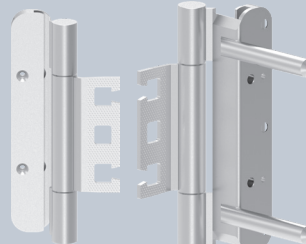
OBX-18-1532/160-FD-RC-B

with lifting lug



OBX-18-1532/160-FD-RC-B TZ

with securing pins



OBX-18-1532/160-FD-RC-B SI

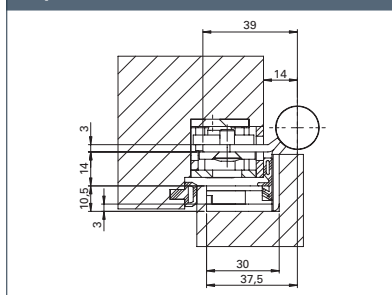
Description

ECO Horizon project hinge OBX-18-1532/160-FD-RC-B

- For rebated soundproof doors on wooden, steel or aluminium frames
- With OBX adjustable frame box adjustable in three dimensions
- Inner, firmly rotating axis

- Wear and maintenance-free ball bearing technology
- Perfectly closed hinge roll without cover head
- Suitable for fire doors
- Can be used DIN left / DIN right without modification
- EN 1935: Class 14 / 160 kg

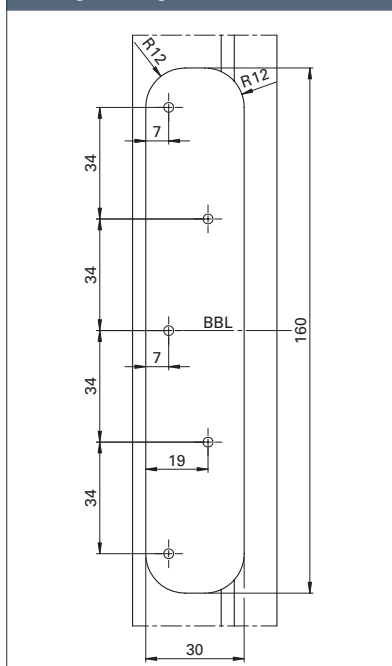
Top view standard



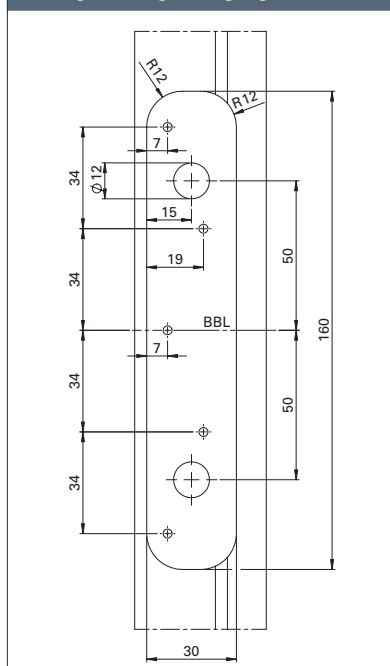
F **EN 1935** **CE** **ER**  Wooden door

OBX-18-1532/160-FD-RC-B for mortise rebated door 3D hinge	Dimensions	Art-No.
OBX-18-1532/160-FD-RC-B ER	Ø 18 x 160 mm	5030054208
OBX-18-1532/160-FD-RC-B TZ ER	Ø 18 x 160 mm	5030055295
OBX-18-1532/160-FD-RC-B SI ER	Ø 18 x 160 mm	5030054214

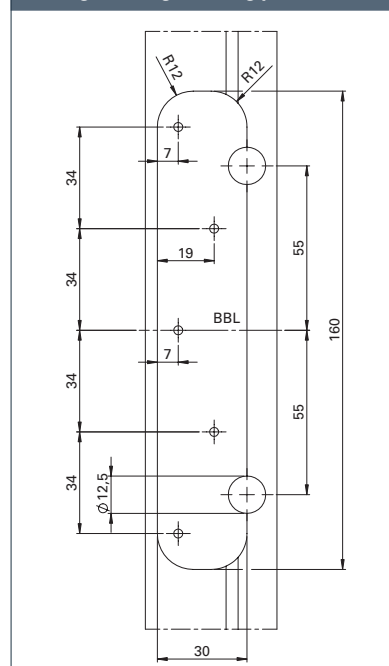
Milling drawing standard



Milling drawing lifting lug (TZ)



Milling drawing securing pins (SI)



ECO Schulte GmbH & Co. KG

Iserlohner Landstraße 89

D-58706 Menden

Telephone +49 2373 9276 - 0

Telefax +49 2373 9276 - 40

info@eco-schulte.de

www.eco-schulte.de

■ SYSTEM TECHNOLOGY FOR THE DOOR

