



PRODUCT INFORMATION

ECO HORIZON PROJECT HINGES
OBX-18-2541/160 / -RC-A / -RC-B
STANDARD & LIFTING LUG

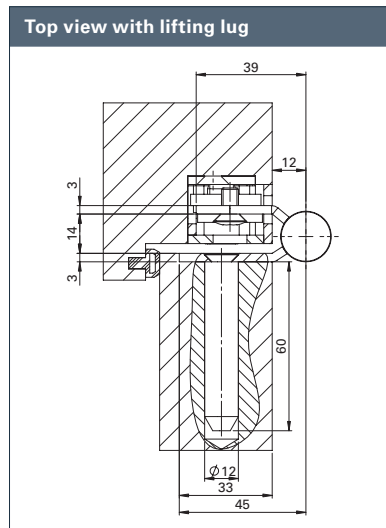
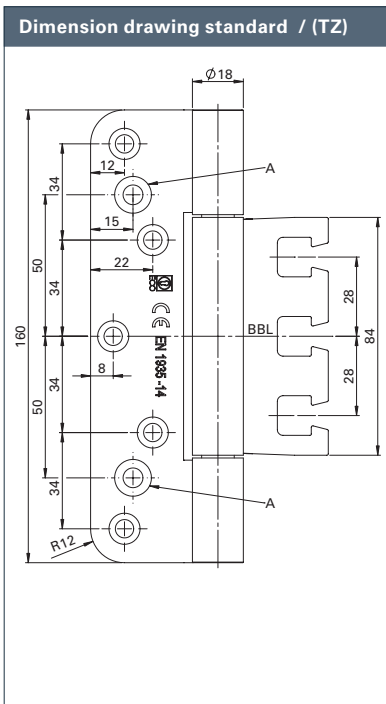
■ SYSTEM TECHNOLOGY FOR THE DOOR





Product characteristics		
Size		160 mm
Ø Barrel diameter		18 mm
Material thickness		3 mm
Screws		5 x 50 mm
DIN left / DIN right		■
Milling diameter		24 mm
Milling length		160 mm
Milling depth		3 mm
Door types	rebated	-
	unrebated	■
Frame types	Wood	■
	Steel	■
	Aluminium	■
Suitable for fire doors	F	■
Loading capacity class 14 (door weight)	EN 1935 CE	■
	acc. to Norm	160 kg
	ECO loading capacity	200 kg
Material	Stainless steel (ER)	■
Reception elements	For upright standing pillars	OBX-3001-3D
	For timber frames	OBX-3002-3D
	For steel frames	OBX-3011-3D OBX-3012-3D
	For aluminium frames	OBX-3021-3D

■ Yes - No ■ On request



A: Only for version with lifting lug. ■ Adjustable framebox OBX 3D series must be ordered separately. Lifting lugs/screws must be ordered separately.



ECO

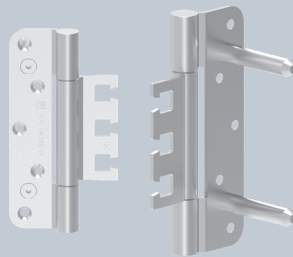
hinge with standard shape

Standard



OBX-18-2541/160

with lifting lug



OBX-18-2541/160 TZ

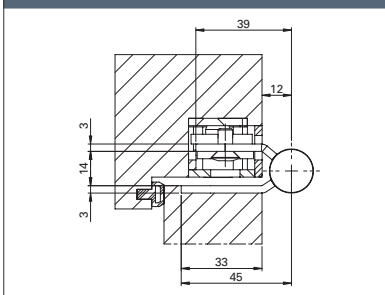
Description

ECO Horizon project hinge OBX-18-2541/160

- For unrebated doors on wooden, steel or aluminium frames
- With OBX adjustable frame box adjustable in three dimensions
- Inner, firmly rotating axis
- Wear and maintenance-free ball bearing technology

- Perfectly closed hinge roll without cover head
- Suitable for fire doors
- Can be used DIN left / DIN right without modification
- EN 1935: Class 14 / 160 kg

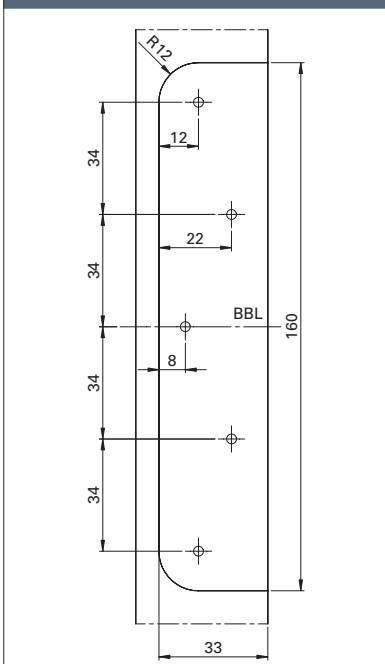
Top view standard



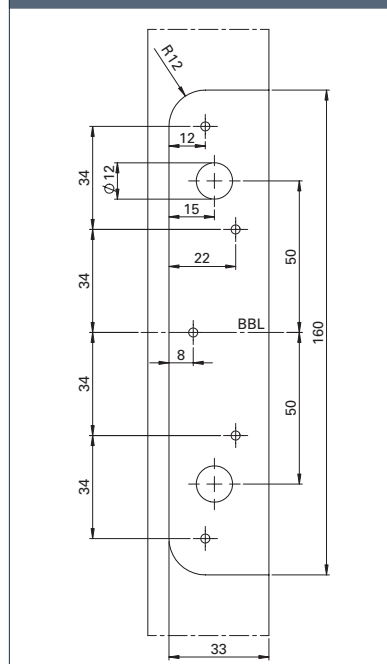
F EN 1935 CE ER Wooden door

OBX-18-2541/160 for mortise rebated door 3D hinge	Dimensions	Art-No.
OBX-18-2541/160 ER	Ø 18 x 160 mm	5030047179
OBX-18-2541/160 TZ ER	Ø 18 x 160 mm	5030050243

Milling drawing standard



Milling drawing lifting lug (TZ)

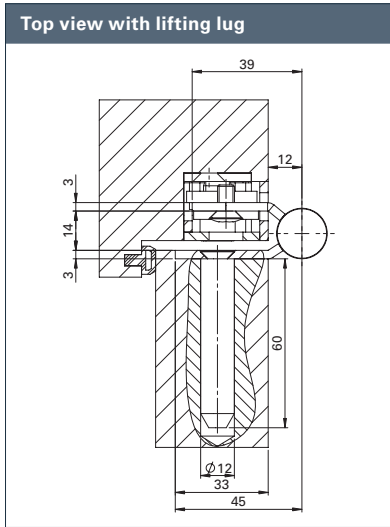
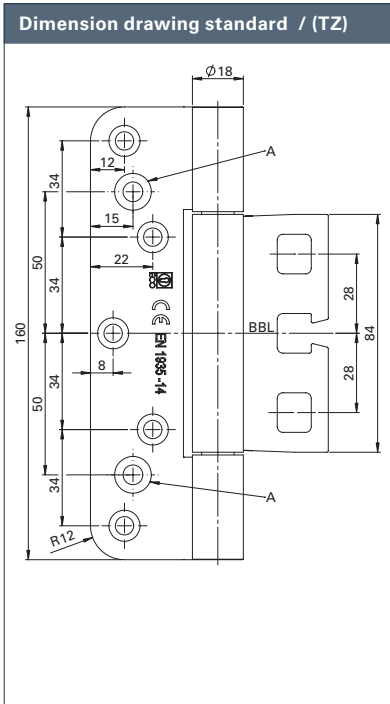




Product characteristics

Size	160 mm	
Ø Barrel diameter	18 mm	
Material thickness	3 mm	
Screws	5 x 50 mm	
DIN left / DIN right	■	
Milling diameter	24 mm	
Milling length	160 mm	
Milling depth	3 mm	
Door types	rebated	-
	unrebated	■
Frame types	Wood	■
	Steel	■
	Aluminium	■
Suitable for fire doors	F	■
Loading capacity class 14 (door weight)	EN 1935 CE	■
	acc. to Norm	160 kg
	ECO loading capacity	200 kg
Material	Stainless steel (ER)	■
Reception elements	For upright standing pillars	OBX-3001-3D
	For timber frames	OBX-3002-3D
	For steel frames	OBX-3011-3D OBX-3012-3D
	For aluminium frames	OBX-3021-3D

■ Yes - No ■ On request



A: Only for version with lifting lug. ■ Adjustable framebox OBX 3D series must be ordered separately. Lifting lugs/screws must be ordered separately.

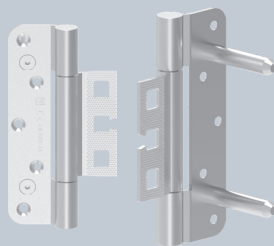
hinge with RC-A shape

Standard



OBX-18-2541/160-RC-A

with lifting lug



OBX-18-2541/160-RC-A TZ

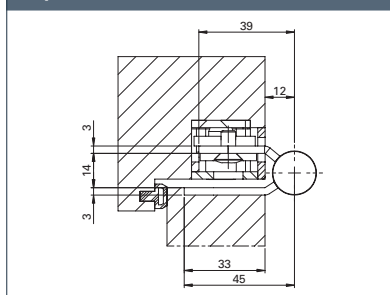
Description

ECO **Horizon project hinge OBX-18-2541/160-RC-A**

- For unrebated doors on wooden, steel or aluminium frames
- With OBX adjustable frame box adjustable in three dimensions
- Inner, firmly rotating axis
- Wear and maintenance-free ball bearing technology

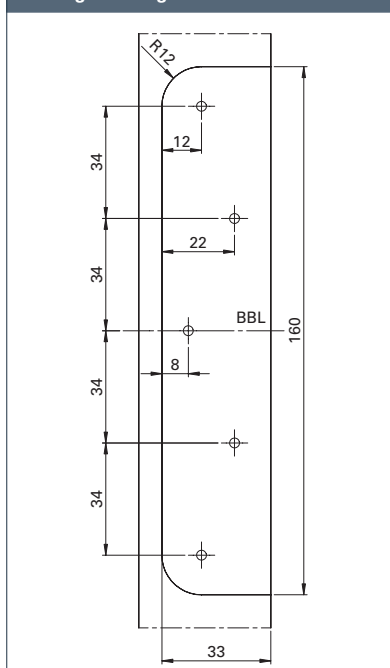
- Perfectly closed hinge roll without cover head
- Suitable for burglar-resistant elements
- Suitable for fire doors
- Can be used DIN left / DIN right without modification
- EN 1935: Class 14 / 160 kg

Top view standard

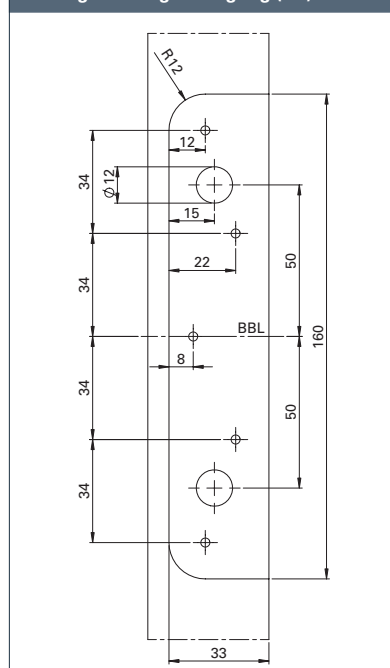


OBX-18-2541/160-RC-A for mortise rebated door 3D hinge	Dimensions	Art-No.
OBX-18-2541/160-RC-A ER	Ø 18 x 160 mm	5030054215
OBX-18-2541/160-RC-A TZ ER	Ø 18 x 160 mm	5030055296

Milling drawing standard



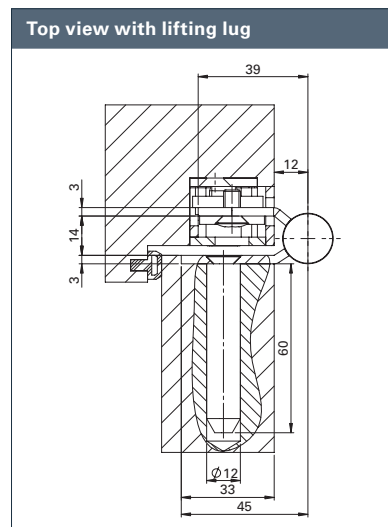
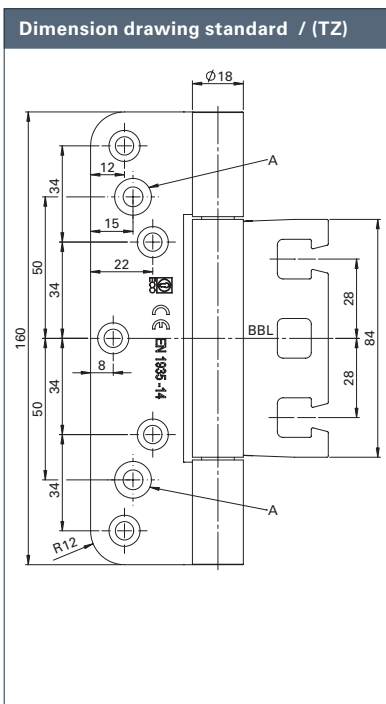
Milling drawing lifting lug (TZ)




Product characteristics

Size	160 mm	
Ø Barrel diameter	18 mm	
Material thickness	3 mm	
Screws	5 x 50 mm	
DIN left / DIN right	■	
Milling diameter	24 mm	
Milling length	160 mm	
Milling depth	3 mm	
Door types	rebated	-
	unrebated	■
Frame types	Wood	■
	Steel	■
	Aluminium	■
Suitable for fire doors	F	■
Loading capacity class 14 (door weight)	EN 1935 CE	■
	acc. to Norm	160 kg
	ECO loading capacity	200 kg
Material	Stainless steel (ER)	■
Reception elements	For upright standing pillars	OBX-3001-3D
	For timber frames	OBX-3002-3D
	For steel frames	OBX-3011-3D OBX-3012-3D
	For aluminium frames	OBX-3021-3D

■ Yes - No □ On request



A: Only for version with lifting lug. ■ Adjustable framebox OBX 3D series must be ordered separately. Lifting lugs/screws must be ordered separately.

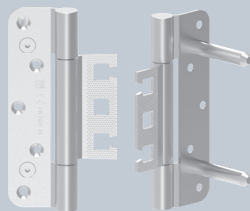
hinge with RC-B shape

Standard



OBX-18-2541/160-RC-B

with lifting lug



OBX-18-2541/160-RC-B TZ

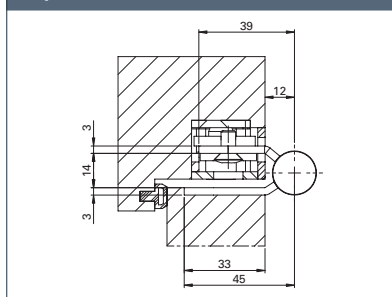
Description

ECO **Horizon project hinge OBX-18-2541/160-RC-B**

- For unrebated doors on wooden, steel or aluminium frames
- With OBX adjustable frame box adjustable in three dimensions
- Inner, firmly rotating axis
- Wear and maintenance-free ball bearing technology

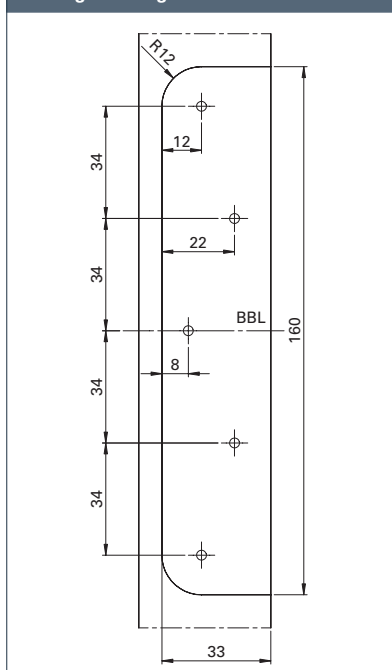
- Perfectly closed hinge roll without cover head
- Suitable for burglar-resistant elements
- Suitable for fire doors
- Can be used DIN left / DIN right without modification
- EN 1935: Class 14 / 160 kg

Top view standard

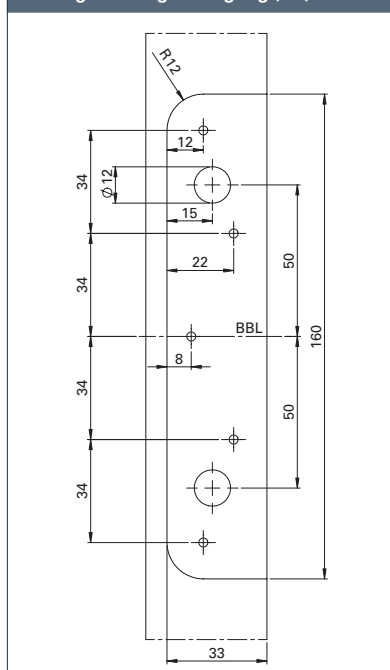


OBX-18-2541/160-RC-B for mortise rebated door 3D hinge	Dimensions	Art-No.
OBX-18-2541/160-RC-B ER	Ø 18 x 160 mm	5030054216
OBX-18-2541/160-RC-B TZ ER	Ø 18 x 160 mm	5030055297

Milling drawing standard



Milling drawing lifting lug (TZ)



ECO **Schulte GmbH & Co. KG**

Iserlohner Landstraße 89

D-58706 Menden

Telephone +49 2373 9276 - 0

Telefax +49 2373 9276 - 40

info@eco-schulte.de

www.eco-schulte.de

■ SYSTEM TECHNOLOGY FOR THE DOOR

