



PRODUCT INFORMATION

ECO HORIZON PROJECT HINGES
OBX-20-2542/120

■ SYSTEM TECHNOLOGY FOR THE DOOR



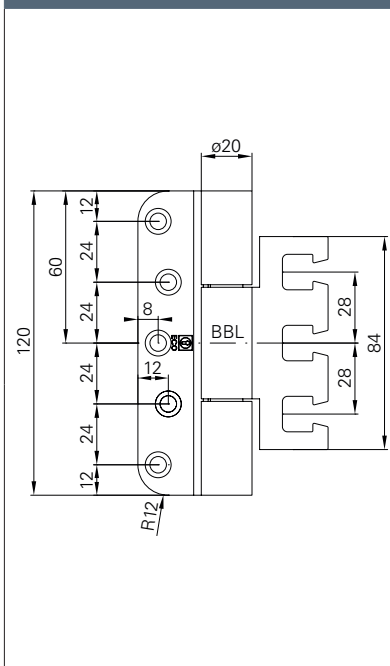


Product characteristics

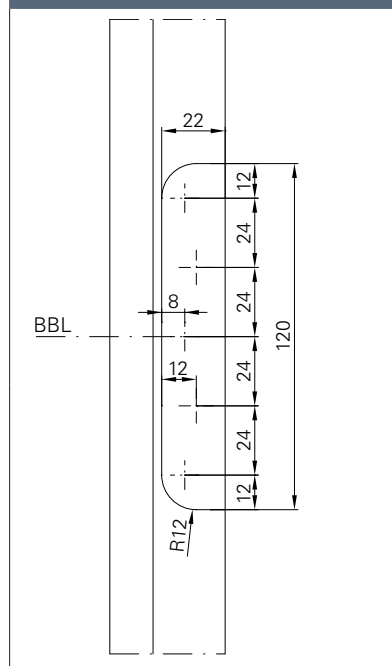
| | | |
|---|------------------------------|----------------------------|
| Size | 120 mm | |
| Ø Barrel diameter | 20 mm | |
| Material thickness | 3,5 mm | |
| Screws | 5 x 50 mm | |
| DIN left / DIN right | ■ | |
| Milling diameter | 24 mm | |
| Milling length | 120 mm | |
| Milling depth | 3,5 mm | |
| Door types | unrebated | ■ |
| | Double rebated | ■ |
| Frame types | Wood | ■ |
| | Steel | ■ |
| | Aluminium | ■ |
| Suitable for fire doors | F | ■ |
| Loading capacity class 14 (door weight) | EN 1935 CE | ■ |
| | acc. to Norm | 160 kg |
| | ECO loading capacity | 200 kg |
| Material | Stainless steel (ER) | ■ |
| Finishes | ER polished | □ |
| | PVD coating (brass) | □ |
| | Coating in RAL colours | □ |
| Reception elements | For upright standing pillars | OBX-3001-3D |
| | For timber frames | OBX-3002-3D |
| | For steel frames | OBX-3011-3D OBX-3012-3D |
| | For aluminium frames | OBX-3021-3D |

■ Yes - No □ On request

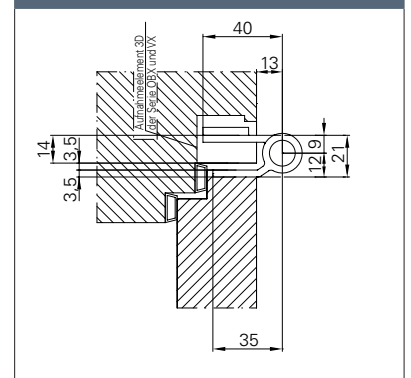
Dimension drawing



Milling drawing



Top view



optionally available as version with lifting lugs



ECO

PRODUCT FAMILY ■ FOR MORTISE FLUSH DOOR 3D HINGE



OBX-20-2541/160.ER



OBX-20-2542/160.ER
OBX-20-2542/120.ER



Description

ECO Horizon project hinge OBX-20-2542/120

- For unrebated doors on wooden, steel or aluminium frames
- With OBX adjustable frame box adjustable in three dimensions
- Inner, firmly rotating axis, therefore no pin protection required
- Wear and maintenance-free ball bearing technology
- Suitable for fire doors
- Can be used DIN left / DIN right without modification
- EN 1935: Class 14 / 160 kg



EN 1935



Wooden door

| OBX-20-2542/120 for mortise flush door 3D hinge | Dimensions | Art-No. |
|---|---------------|------------|
| OBX-20-2542/120.ER | Ø 20 x 120 mm | 5030007657 |

ECO Schulte GmbH & Co. KG

Iserlohner Landstraße 89

D-58706 Menden

Telephone +49 2373 9276 - 0

Telefax +49 2373 9276 - 40

info@eco-schulte.de

www.eco-schulte.de

■ SYSTEM TECHNOLOGY FOR THE DOOR

