

PRODUCT INFORMATION

ECO ADJUSTABLE FRAME BOX
OBX-3011/3012-3D

■ SYSTEM TECHNOLOGY FOR THE DOOR



OBX-3011/3012


Description
ECO Adjustable frame box OBX-3011-3D

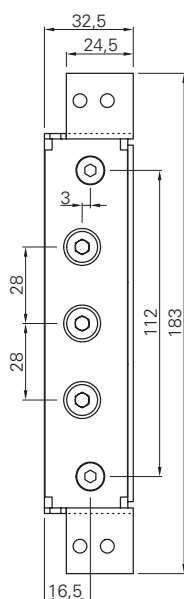
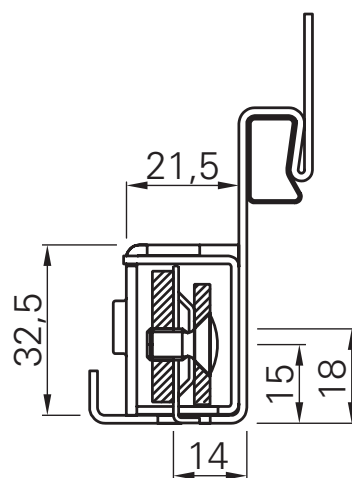
- Adjustable frame box for project hinges OBX in sizes 120 mm and 160 mm
- For steel frames with rebated and unrebated doors
- Adjustable in three dimensions
- + / - 3 mm Side
- + / - 3 mm Height
- + / - 3 mm Pressure
- Surface: Steel zinc plated

OBX-3011-3D With welding points steel frames	Material	Art-No.
OBX-3011-3D	Steel zinc plated	5030016223

OBX-3012-3D Without welding points steel frames	Material	Art-No.
OBX-3012-3D	Steel zinc plated	5030016225

Advantages adjustable frame box

- Nylon-guided adjusting spindle supplies additional stability.
- Nylon-guided push plate enables easy mounting. The insertion of the OBX hinge is simplified enormously.
- Adjustable in three dimensions
- The exact adjustment of the door is simplified.

Dimension drawing

Top view


ECO Schulte GmbH & Co. KG

Iserlohner Landstraße 89

D-58706 Menden

Telephone +49 2373 9276 - 0

Telefax +49 2373 9276 - 40

info@eco-schulte.de

www.eco-schulte.de

■ SYSTEM TECHNOLOGY FOR THE DOOR

