

# PRODUCT INFORMATION

LASER-WELDED STEEL HINGES  
ECO-GENIUS LHA

■ SYSTEM TECHNOLOGY FOR THE DOOR



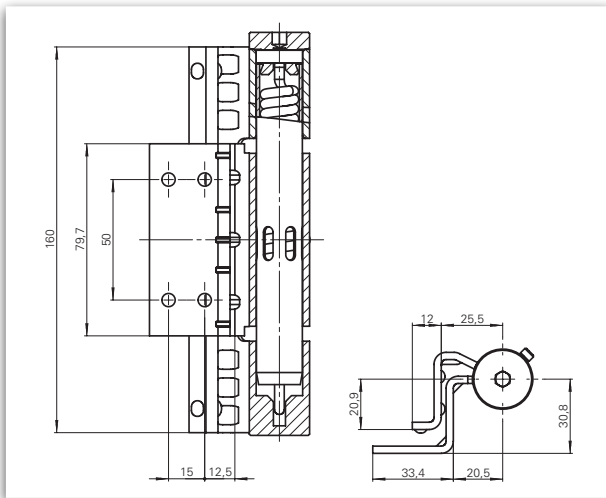
Genius-SET



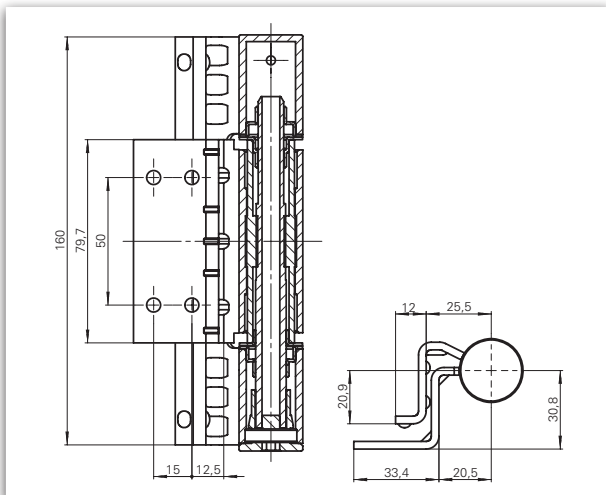
**Product characteristics**

Size	160 mm	
Ø Barrel diameter	25 mm	
Material thickness	3 mm	
DIN left / DIN right	■	
Frame type	Steel	■
Suitable for fire doors	<b>F</b>	■
Loading capacity Class 12 (maximum door load)	Hinge with spring max.	80 kg
	KO hinge <b>EN 1935</b> * acc. to Norm <b>DIN 18 272</b>	100 kg 80 kg
Finishes	Steel zinc plated frame - and door parts	■
Hinge type	Three-part standard hinge, laser-welded	
Bearing technology	Washed bearing	■
	Ball bearing	-
Fixing	Welded to the door frame screwed to the casement framet	

■ Yes - No \*According to



Hinge with spring



KO hinge

**ECO-Genius LHA**

**three-part standard hinge to be welded on, adjustable in height (±3 mm) EN 1935: Class 12 / 80 (100) kg**

**Description:** ECO spring hinge / KO hinge set adjustable in height.

**Spring hinge:** based on **DIN 18272**

**KO-hinge:** acc. **EN 1935**

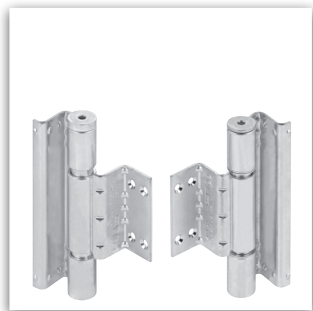
**Mounting:** Easy mounting of the hinge parts with the help of the hinge bolt

**Special feature:** Height adjustment through comfortable handling.

**Usage:** For the use in doors with requirements in regards to smoke and fire protection as well as in emergency and escape exits. As construction hinge set (KO) also suitable for heavy doors.



**Laser-welded steel hinges ■ GENIUS LHA ■ 3 mm**



**F** **DIN 18 272**

 Steel door

ECO Genius	Material	Material thickness	Dimensions	Art-No.
<b>Hinge with spring / KO hinge</b>	St.Zk	3 mm	Ø 25 x 160 mm	on request



**F** **DIN 18 272**

 Steel door

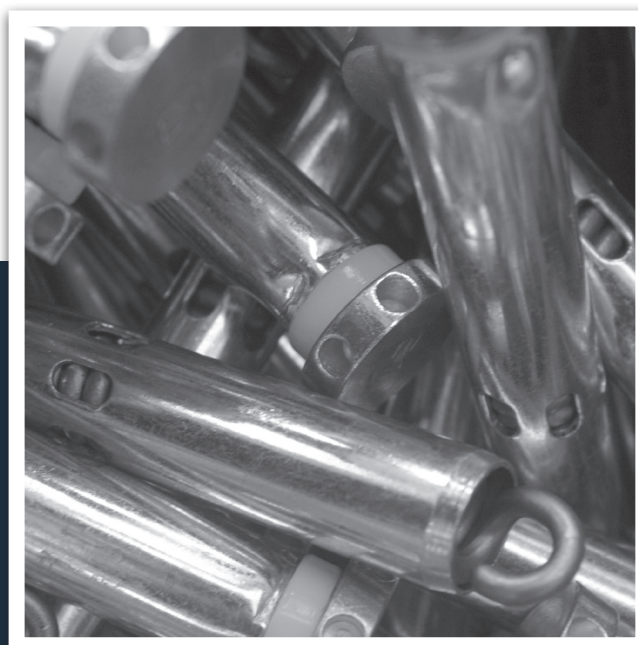
ECO Genius	Material	Material thickness	Dimensions	Art-No.
<b>Hinge with spring</b>	St.Zk	3 mm	Ø 25 x 160 mm	on request



**F** **EN 1935** **DIN 18 272**

 Steel door

ECO Genius	Material	Material thickness	Dimensions	Art-No.
<b>KO hinge</b>	St.Zk	3 mm	Ø 25 x 160 mm	on request



ECO **Schulte GmbH & Co. KG**

Iserlohner Landstraße 89

D-58706 Menden

Telephone +49 2373 9276 - 0

Telefax +49 2373 9276 - 40

[info@eco-schulte.de](mailto:info@eco-schulte.de)

[www.eco-schulte.de](http://www.eco-schulte.de)

■ SYSTEM TECHNOLOGY FOR THE DOOR

