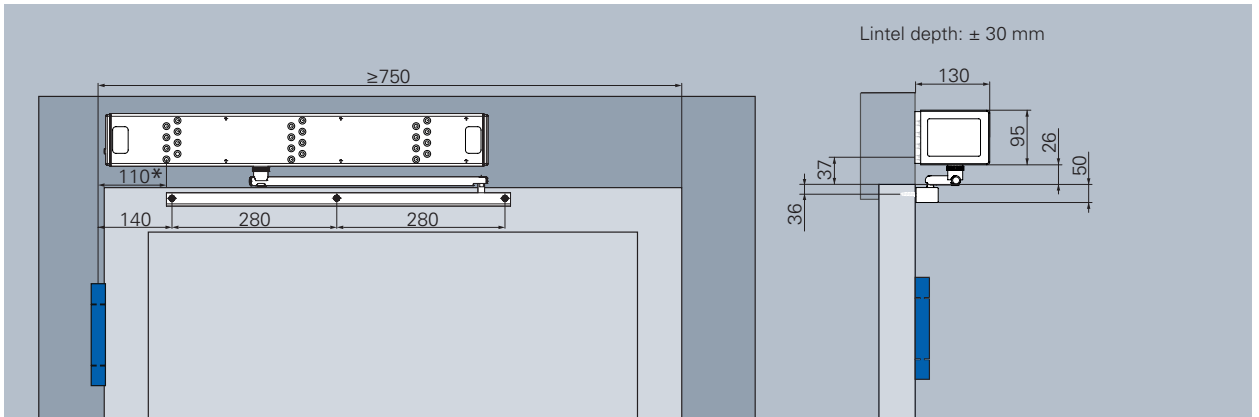


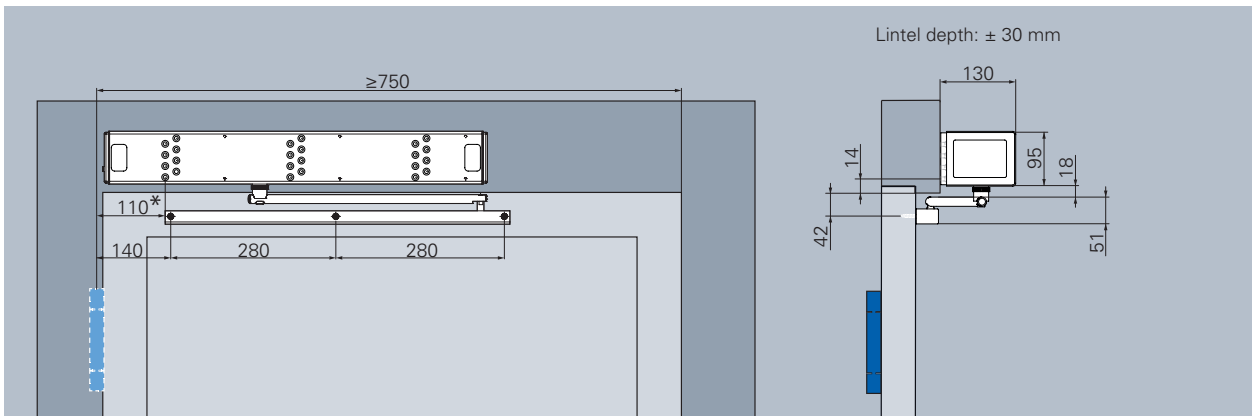
Installation drawing ETS 64-R single leaf



ETS 64-R – Single leaf head mounting hinge side with slide rail (pull) and mounting plate

With KS-13 axle pin and long sliding bolt.

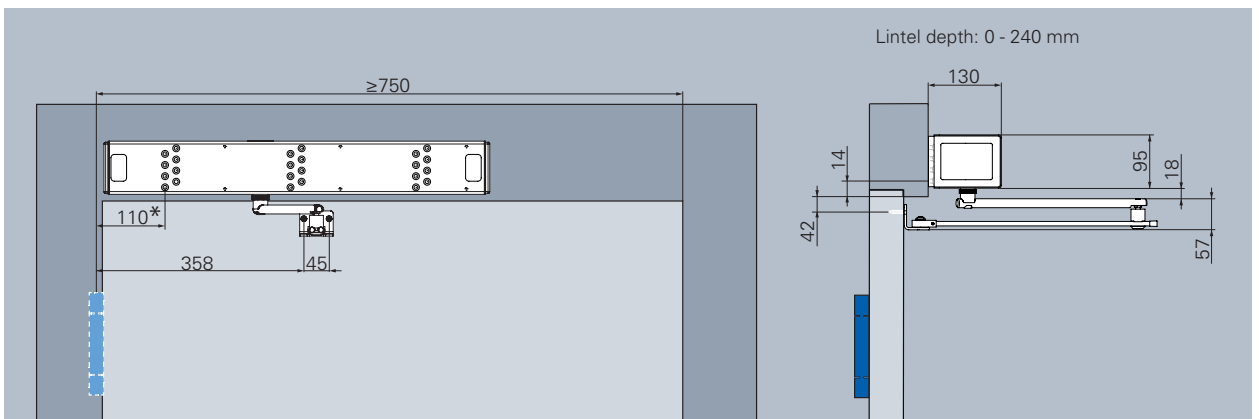
*Reference dimension - all further holes must be drilled according to the specifications of the door or profile manufacturer.



ETS 64-R – Single leaf head mounting hinge-opposite side with standard arm (push) and mounting plate

With standard axle pin and short sliding bolt.

*Reference dimension - all further holes must be drilled according to the specifications of the door or profile manufacturer.

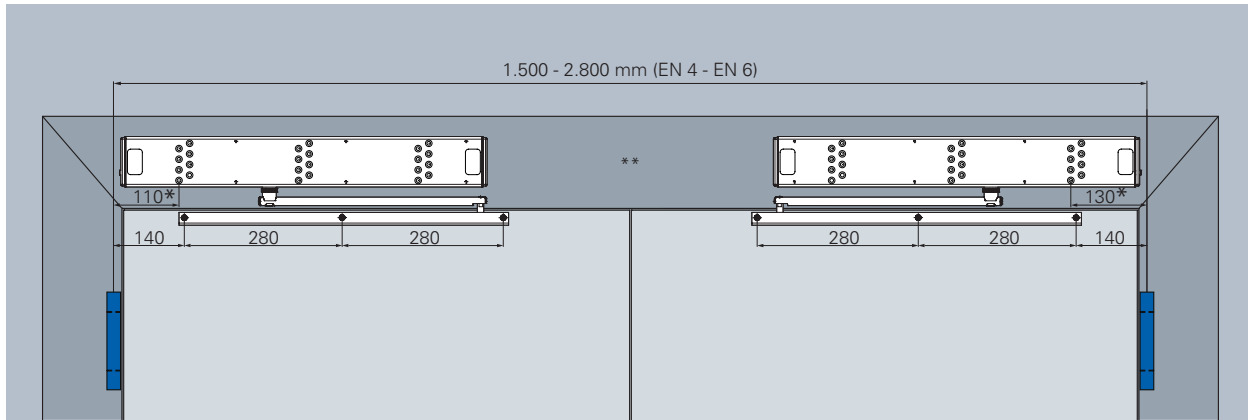


ETS 64-R – Single leaf head mounting hinge-opposite side with slide rail (push) and mounting plate

With standard axle pin.

*Reference dimension - all further holes must be drilled according to the specifications of the door or profile manufacturer.

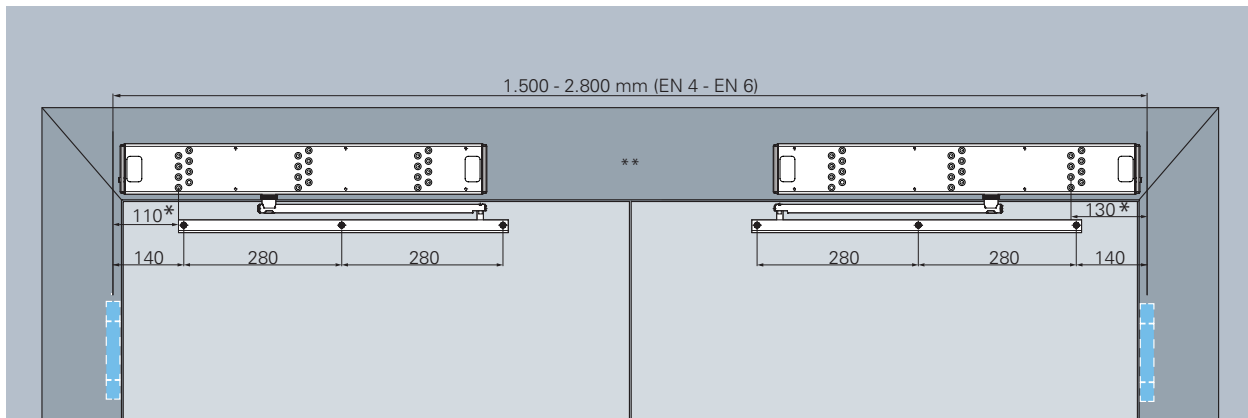
Installation drawing ETS 64-R double leaf



ETS 64-R – Double leaf head mounting hinge-opposite side with slide rail (pull) and mounting plate

*Reference dimension - all further holes must be drilled according to the specifications of the door or profile manufacturer. For rebated doors please use the long pins (included in delivery). All information in brackets can vary according to the clamp (clamp -13 or clamp +20)

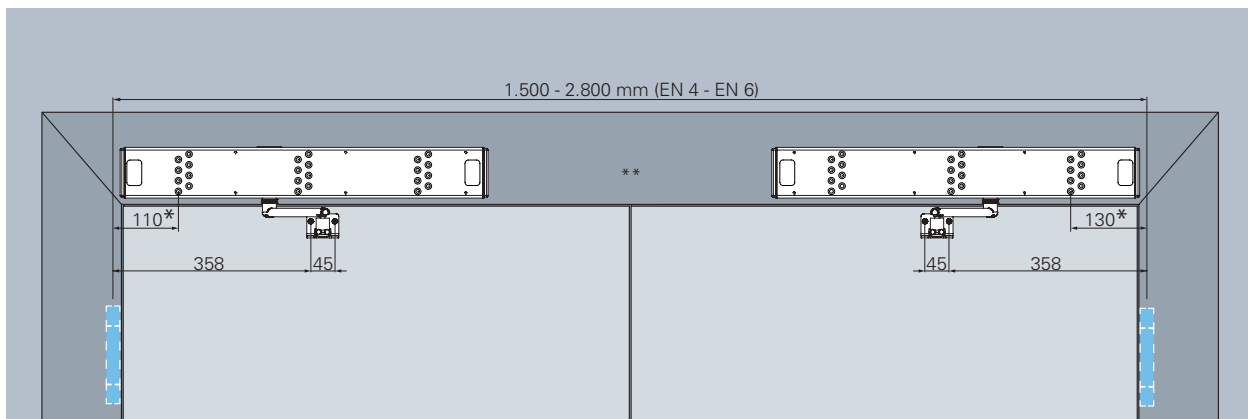
** Optionally available with integrated door control and medium cladding.



ETS 64-R – Double leaf head mounting hinge-opposite side with slide rail (push) and mounting plate

*Reference dimension - all further holes must be drilled according to the specifications of the door or profile manufacturer.

** Optionally available with integrated door control and medium cladding.



ETS 64-R – Double leaf head mounting hinge-opposite side with standard arm (push) and mounting plate

*Reference dimension - all further holes must be drilled according to the specifications of the door or profile manufacturer. For rebated doors please use the long pins (included in delivery). All information in brackets can vary according to the clamp (clamp -13 or clamp +20)

** Optionally available with integrated door control and medium cladding.

ECO Schulte GmbH & Co. KG
Iserlohner Landstraße 89
D - 58706 Menden

Telefon: +49 2373/92 76 - 0
Fax: +49 2373/92 76 - 40

info@eco-schulte.de
www.eco-schulte.de

© ECO Schulte GmbH & Co. KG - Änderungen vorbehalten
© ECO Schulte GmbH & Co. KG - Subject to change